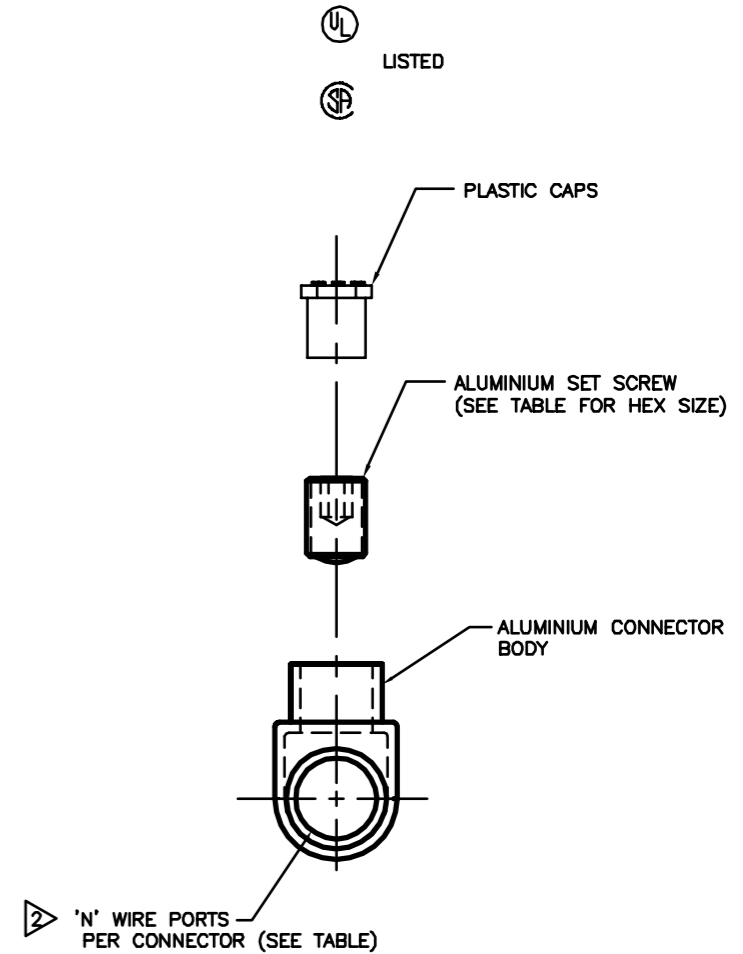
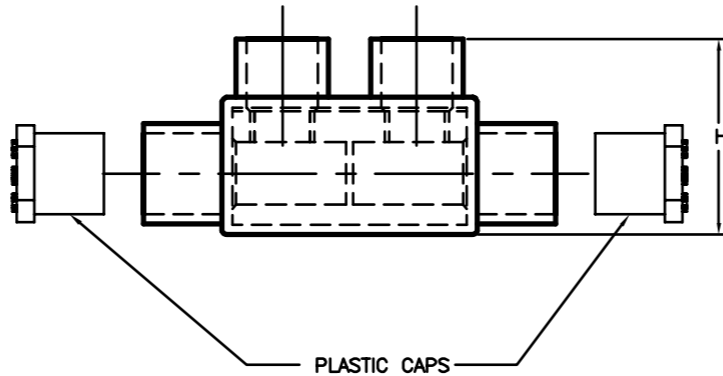
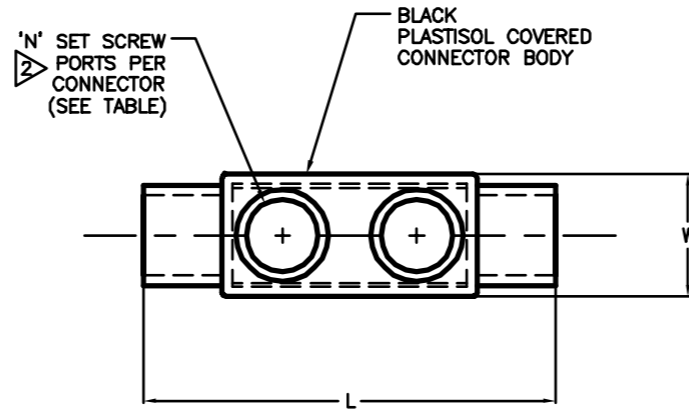


CATALOG NO.	WIRE RANGE (AWG/kcmil)	L	W	H	HEX KEY	N	TORQUE IN/LB
1PBS2	#14-2	2.38 [60]	.75 [19]	1.22 [31]	1/8	2	45
1PBS1/0	#14-1/0	2.91 [74]	.91 [23]	1.38 [35]	3/16	2	120
1PBS250	#10-250	4.01 [102]	1.19 [30]	2.10 [53]	5/16	2	275
1PBS350	#10-350	4.63 [118]	1.34 [34]	2.35 [60]	5/16	2	
1PBS500	#6-500	5.00 [127]	1.62 [42]	2.62 [67]	3/8	2	375

REV.	DATE	DESCRIPTION	ECO	BY	C'K'D.
E	8/2/2013	LOGO CHANGE	32736	MVP	MB

FEATURES	BENEFITS
PLASTISOL COVERED AL6061-T6 BODY	SAVES TIME, LOWERS INSTALLATION COSTS, ELIMINATES TAPING.
OXIDE-INHIBITOR IS PRE-INSTALLED	INHIBITS MOISTURE AND CONTAMINANTS FROM ENTERING THE CONTACT AREA
RANGE-TAKING	REDUCES THE NUMBER OF CONNECTORS CARRIED IN INVENTORY



**NOTES:**

- CONNECTORS ARE SUPPLIED INDIVIDUALLY LABELED. LABEL INFORMATION INCLUDES CATALOG NUMBER, AND BARCODE.
- END CAPS INSTALLED ON WIRE PORTS AND SET SCREW PORTS.
- ALL CONNECTORS UL LISTED, CSA CERTIFIED FOR AL9CU, 90° C APPLICATIONS, UNLESS OTHERWISE NOTED.
- DIMENSIONS IN BRACKETS [ ] ARE IN MILLIMETERS ROUNDED OFF TO THE NEAREST MILLIMETER, UNLESS OTHERWISE NOTED, AND ARE FOR REFERENCE ONLY.
- UV RATED INSULATION MATERIAL.

TO ORDER BURNDY® PRODUCTS CALL UNITED STATES: 1-800-346-4175 (LONDONDERRY, NH) CANADA: 1-800-361-6975 (QUEBEC) 1-800-387-6487 (ALL OTHER PROVINCES) FOR PRODUCT INFO: <a href="http://www.burndy.com">http://www.burndy.com</a>		UV BLACK COVERED DISTRIBUTION CONNECTORS ITEM NO: N/A CAT NO: 1PBS-(TABLE)																					
		<table border="1"> <tr> <td>SCALE: N/A</td> <td>DATE: 4/24/02</td> </tr> <tr> <td>DRAWN BY: D BALKIMAR</td> <td>5/23/02</td> </tr> <tr> <td>CHECKER: K HENRY</td> <td>3/6/02</td> </tr> <tr> <td>DSN APPV: G DITROIA</td> <td></td> </tr> <tr> <td>MFG APPV: ---</td> <td></td> </tr> <tr> <td>QC APPV: J BRODEUR</td> <td>3/5/02</td> </tr> <tr> <td>MKT APPV: A ZAIT</td> <td>2/27/02</td> </tr> <tr> <td>PROD ENG: ---</td> <td></td> </tr> <tr> <td>PROJECT #: ---</td> <td>SIZE: D</td> </tr> <tr> <td>DRAWING TYPE: Sales</td> <td></td> </tr> <tr> <td>REL LEVEL: Released</td> <td></td> </tr> </table>		SCALE: N/A	DATE: 4/24/02	DRAWN BY: D BALKIMAR	5/23/02	CHECKER: K HENRY	3/6/02	DSN APPV: G DITROIA		MFG APPV: ---		QC APPV: J BRODEUR	3/5/02	MKT APPV: A ZAIT	2/27/02	PROD ENG: ---		PROJECT #: ---	SIZE: D	DRAWING TYPE: Sales	
SCALE: N/A	DATE: 4/24/02																						
DRAWN BY: D BALKIMAR	5/23/02																						
CHECKER: K HENRY	3/6/02																						
DSN APPV: G DITROIA																							
MFG APPV: ---																							
QC APPV: J BRODEUR	3/5/02																						
MKT APPV: A ZAIT	2/27/02																						
PROD ENG: ---																							
PROJECT #: ---	SIZE: D																						
DRAWING TYPE: Sales																							
REL LEVEL: Released																							
BURNDY®		DRAWING NO <b>SD214514</b>	REV <b>E</b>																				
		SHEET 3 of 13																					