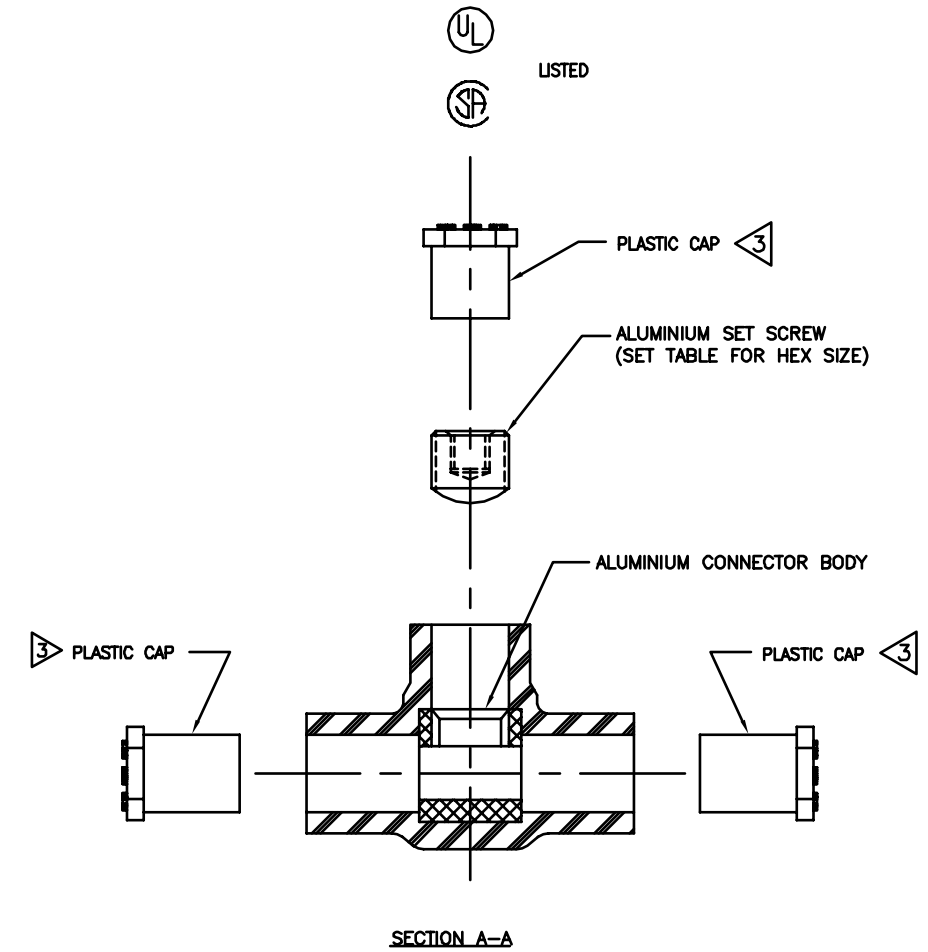
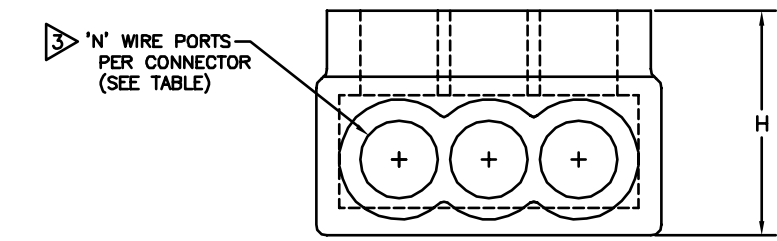
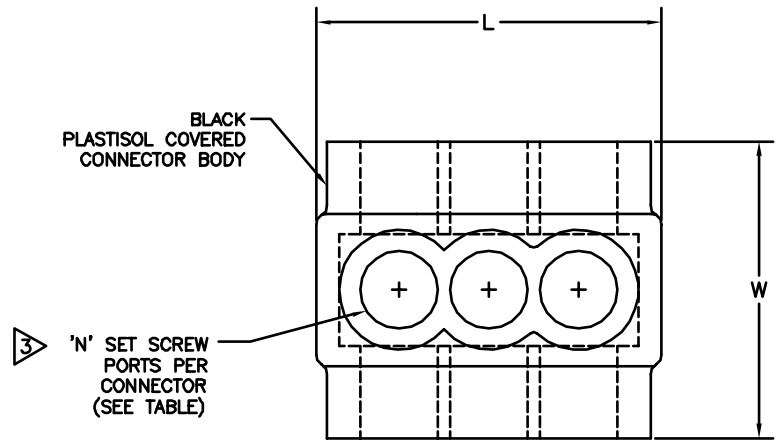


CATALOG NO.	WIRE RANGE (AWG/kcmil)	L	W	H	HEX KEY	N
1PLD2502	#10-250	2.03 [52]	2.64 [67]	2.13 [54]	5/16	2
1PLD2503	#10-250	2.97 [75]	2.64 [67]	2.13 [54]	5/16	3
1PLD2504	#10-250	3.91 [99]	2.64 [67]	2.13 [54]	5/16	4
1PLD2505	#10-250	4.84 [123]	2.64 [67]	2.13 [54]	5/16	5
1PLD2506	#10-250	5.78 [147]	2.64 [67]	2.13 [54]	5/16	6
1PLD2508	#10-250	7.66 [195]	2.64 [67]	2.13 [54]	5/16	8
1PLD25010	#10-250	9.53 [242]	2.64 [67]	2.13 [54]	5/16	10
1PLD25012	#10-250	11.41 [290]	2.64 [67]	2.13 [54]	5/16	12

REV.	DATE	DESCRIPTION	ECO	BY	C'K'D.
D	8/2/2013	LOGO CHANGE	32736	MVP	MB



FEATURES	BENEFITS
PLASTISOL COVERED AL6061-T6 BODY	SAVES TIME, LOWERS INSTALLATION COSTS, ELIMINATES TAPING.
OXIDE-INHIBITOR IS PRE-INSTALLED	INHIBITS MOISTURE AND CONTAMINANTS FROM ENTERING THE CONTACT AREA
RANGE-TAKING	REDUCES THE NUMBER OF CONNECTORS CARRIED IN INVENTORY

NOTES:

- THIS DRAWING TO BE INTERPRETED PER ANSI Y14.5M.
- CONNECTORS ARE SUPPLIED INDIVIDUALLY LABELED. LABEL INFORMATION INCLUDES CATALOG NUMBER, AND BARCODE.
- END CAPS INSTALLED ON WIRE PORTS AND SET SCREW PORTS.
- ALL CONNECTORS UL LISTED, CSA CERTIFIED FOR AL9CU, 90°C APPLICATIONS, UNLESS OTHERWISE NOTED.
- DIMENSIONS IN BRACKETS [] ARE IN MILLIMETERS ROUNDED OFF TO THE NEAREST MILLIMETER, UNLESS OTHERWISE NOTED, AND ARE FOR REFERENCE ONLY.
- UV RATED INSULATION MATERIAL.
- TORQUE SET SCREWS TO 275 IN/LB.

TO ORDER BURNDY® PRODUCTS CALL UNITED STATES: 1-800-346-4175 (LONDONDERRY, NH) CANADA: 1-800-361-6975 (QUEBEC) 1-800-387-6487 (ALL OTHER PROVINCES) FOR PRODUCT INFO: http://www.burndy.com		UV BLACK DISTRIBUTION CONNECTORS	
		ITEM NO: N/A CAT NO: 1PLD250-SERIES (TABLE)	
SCALE: N/A DRAWN BY: D. BARKINAR 4/24/02 CHECKER: K. HENRY 5/23/02 DESI APPR: G. DIBONA 5/8/02 MFG APPR: T. BONINA 2/27/02 QC APPR: J. PRODEUR 3/5/02 MKT APPR: A. ZWI 2/27/02			
PROD FAVE: --- PROJECT #: --- DRAWING TYPE: Sales REV. LEVEL: Released		DRAWING NO SD214514	REV D
		SHEET 4 OF 13	