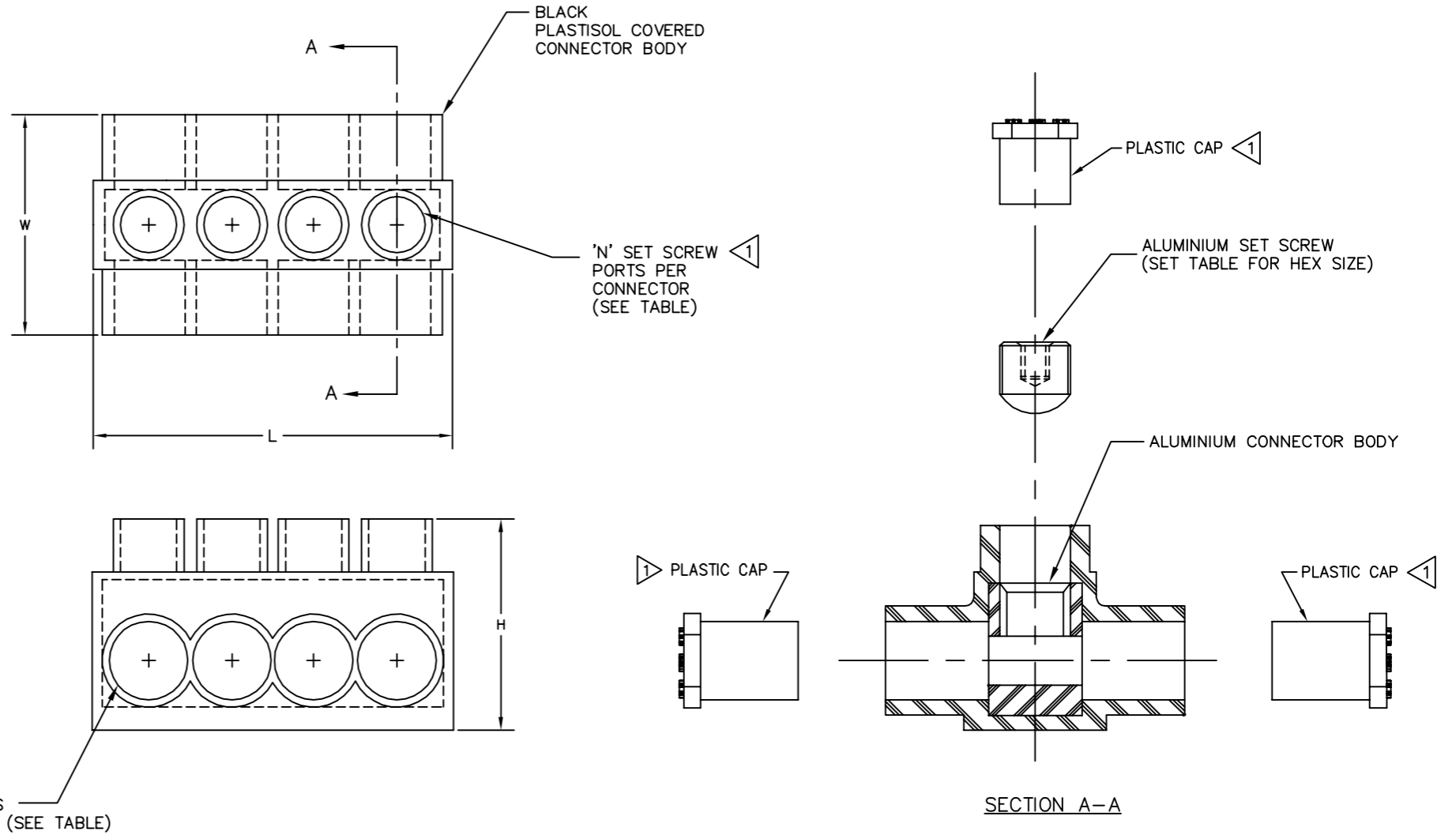


| DRAWING NO. SD214514 | | 7 | 6 | 5 | 4 | 3 | 2 | 1 | | | | |
|-------------------------|------------------------|----------------|--------------|--------------|---------|----|------|----------|------------------------|-------|----|--------|
| CATALOG NO. | WIRE RANGE (AWG/kcmil) | L | W | H | HEX KEY | N | REV. | DATE | DESCRIPTION | ECO | BY | C'K'D. |
| 1PLD750-2 | #2-750 | 2.87 [73] | 3.38 [86] | 3.00 [76] | 3/8 | 2 | D | 12/14/12 | TORQUE VALUE INCLUDED. | 29771 | PB | MA |
| 1PLD750-3 | #2-750 | 4.25 [108] | 3.38 [86] | 3.00 [76] | 3/8 | 3 | | | | | | |
| 1PLD750-4 | #2-750 | 5.63 [143] | 3.38 [86] | 3.00 [76] | 3/8 | 4 | | | | | | |
| 1PLD750-6 | #2-750 | 8.37 [213] | 3.38 [86] | 3.00 [76] | 3/8 | 6 | | | | | | |
| 1PLD750-8 | #2-750 | 11.13 [283] | 3.38 [86] | 3.00 [76] | 3/8 | 8 | | | | | | |
| 1PLD750-10 | #2-750 | 13.87 [352] | 3.38 [86] | 3.00 [76] | 3/8 | 10 | | | | | | |
| 1PLD750-12 | #2-750 | 16.63 [422] | 3.38 [86] | 3.00 [76] | 3/8 | 12 | | | | | | |

| FEATURES | BENEFITS |
|----------------------------------|---|
| PLASTISOL COVERED AL6061-T6 BODY | SAVES TIME, LOWERS INSTALLATION COSTS, ELIMINATES TAPING. |
| OXIDE-INHIBITOR IS PRE-INSTALLED | INHIBITS MOISTURE AND CONTAMINANTS FROM ENTERING THE CONTACT AREA |
| RANGE-TAKING | REDUCES THE NUMBER OF CONNECTORS CARRIED IN INVENTORY |



NOTES:

- 1 END CAPS INSTALLED ON WIRE PORTS AND SET SCREW PORTS.
- 2 NOT UL LISTED.
- 3. DIMENSIONS IN BRACKETS [] ARE IN MILLIMETERS ROUNDED OFF TO THE NEAREST MILLIMETER, UNLESS OTHERWISE NOTED, AND ARE FOR REFERENCE ONLY.
- 4. UV RATED MATERIAL.
- 5. TORQUE SET SCREWS TO 375 IN/LB.

| | | | |
|---|--|--|--|
| TO ORDER BURNDY® PRODUCTS CALL | | UV BLACK COVERED DISTRIBUTION CONNECTORS | |
| UNITED STATES: 1-800-346-4175 (LONDONDERRY, NH) | | ITEM NO: N/A | |
| CANADA: 1-800-361-6975 (QUEBEC) 1-800-387-6487 (ALL OTHER PROVINCES) | | CAT NO: 1PLD750-SERIES | |
| FOR PRODUCT INFO: http://www.burndy.com | | SCALE: N/A | |
| | | DRAWN BY: D RAJKUMAR 4/24/02 | |
| | | CHECKER: K HENRY 5/23/02 | |
| | | DSN APPVL: G DITROIA 3/8/02 | |
| | | MFG APPVL: T BONINA 2/27/02 | |
| | | QC APPVL: J BRODEUR 3/5/02 | |
| | | MKT APPVL: A ZMIT 2/27/02 | |
| | | DRAWING NO | |
| | | SD214514 | |
| | | REV | |
| | | D | |
| | | SHEET 7 OF 13 | |
| | | REL LEVEL: AutoCAD | |

