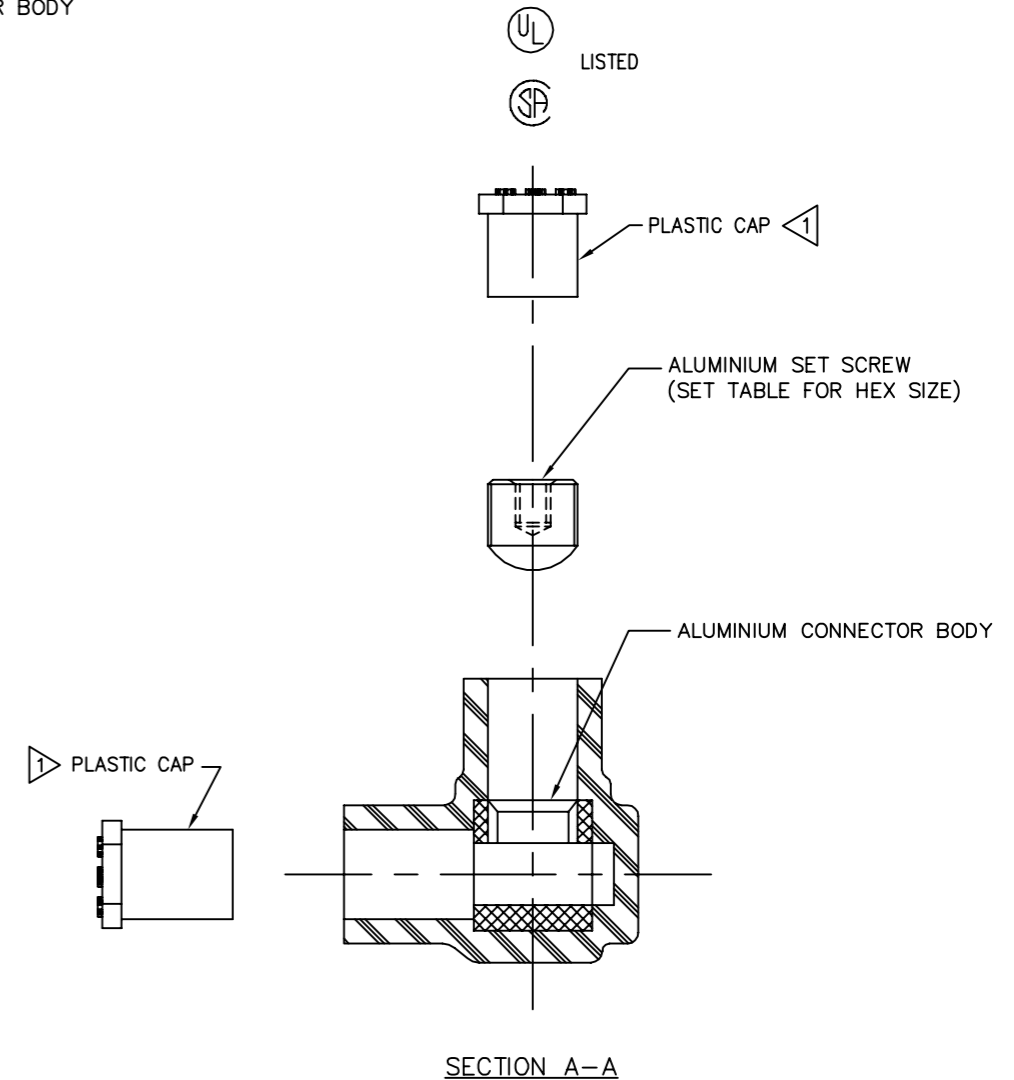
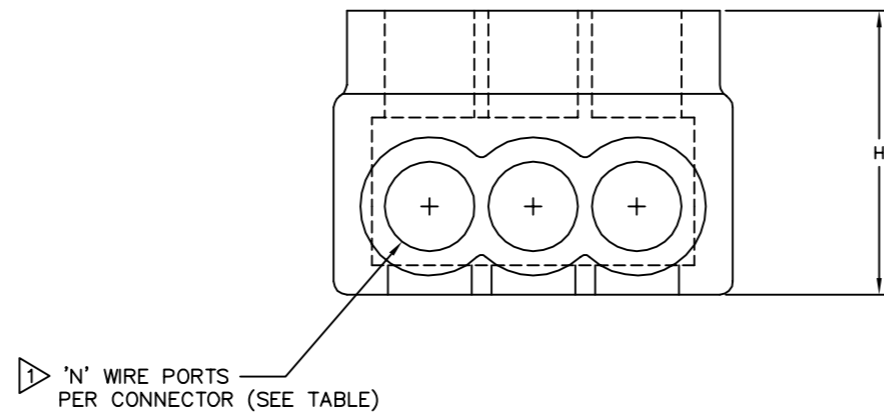
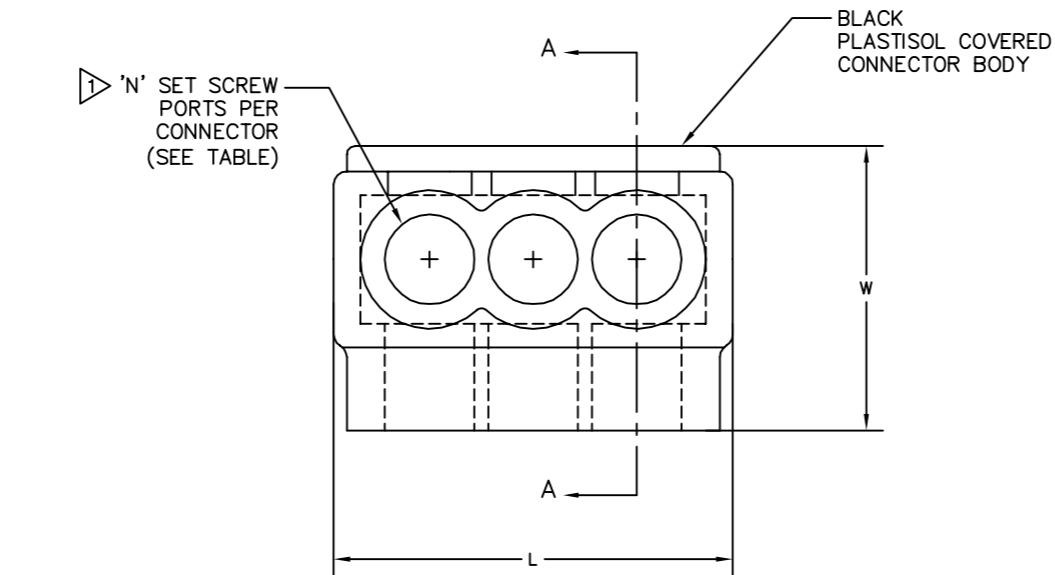


DRAWING NO. SD214514		7	6	5	4	3	2	1				
CATALOG NUMBER	WIRE RANGE (AWG/kcmil)	L	W	H	HEX KEY	N	REV.	DATE	DESCRIPTION	ECO	BY	C'K'D.
1PL2/0-3	#14-2/0	2.19 [56]	1.31 [33]	1.38 [35]	3/16	3	D	12/14/12	TORQUE VALUE INCLUDED.	29771	PB	MA
1PL2/0-4	#14-2/0	2.86 [73]	1.31 [33]	1.38 [35]	3/16	4						
1PL2/0-5	#14-2/0	3.53 [90]	1.31 [33]	1.38 [35]	3/16	5						
1PL2/0-6	#14-2/0	4.20 [107]	1.31 [33]	1.38 [35]	3/16	6						
1PL2/0-8	#14-2/0	5.55 [141]	1.31 [33]	1.38 [35]	3/16	8						

FEATURES	BENEFITS
PLASTISOL COVERED AL6061-T6 BODY	SAVES TIME, LOWERS INSTALLATION COSTS, ELIMINATES TAPING.
OXIDE-INHIBITOR IS PRE-INSTALLED	INHIBITS MOISTURE AND CONTAMINANTS FROM ENTERING THE CONTACT AREA
RANGE-TAKING	REDUCES THE NUMBER OF CONNECTORS CARRIED IN INVENTORY



NOTES:

- 1 END CAPS INSTALLED ON WIRE PORTS AND SET SCREW PORTS.
- 2 ALL CONNECTORS UL LISTED, CSA CERTIFIED FOR AL9CU, 90°C APPLICATIONS, UNLESS OTHERWISE NOTED.
3. DIMENSIONS IN BRACKETS [] ARE IN MILLIMETERS ROUNDED OFF TO THE NEAREST MILLIMETER, UNLESS OTHERWISE NOTED, AND ARE FOR REFERENCE ONLY.
4. TORQUE SET SCREWS TO 120 IN/LB.

TO ORDER BURNDY® PRODUCTS CALL		UV BLACK COVERED DISTRIBUTION CONNECTORS	
UNITED STATES: 1-800-346-4175 (LONDONDERRY, NH)		ITEM NO: N/A	
CANADA: 1-800-361-6975 (QUEBEC) 1-800-387-6487 (ALL OTHER PROVINCES)		CAT NO: 1PL2/0-SERIES	
FOR PRODUCT INFO: http://www.burndy.com		SCALE: N/A	
		DRAWN BY: D RAJKUMAR 4/24/02	
		CHECKER: K HENRY 5/23/02	
		DSN APPVL: G DITROIA 3/6/02	
		MFG APPVL: T BONINA 2/27/02	
		QC APPVL: J BRODEUR 3/5/02	
		MKT APPVL: A ZWIT 2/27/02	
		DRAWING NO	
		SD214514	
		REV	
		D	
		SHEET 9 OF 13	

