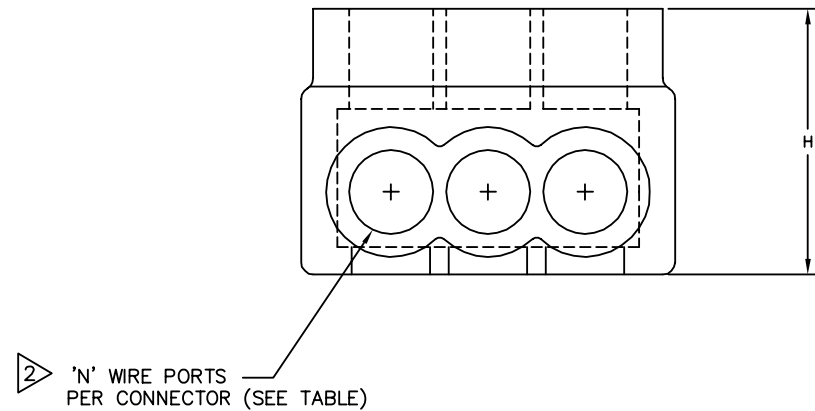
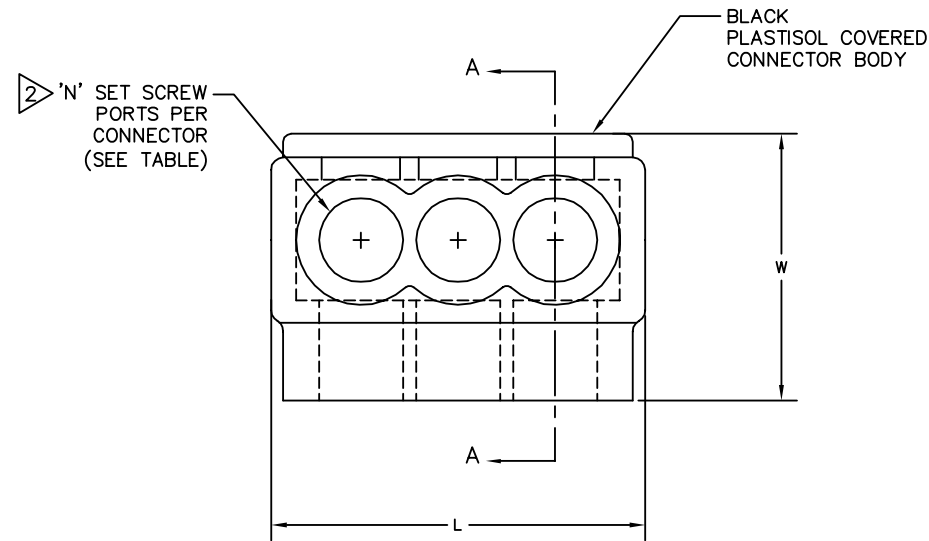


CATALOG NO.	WIRE RANGE (AWG/kcmil)	L	W	H	HEX KEY	N
1PL6002	#4-600	2.72 [69]	2.38 [60]	2.75 [70]	3/8	2
1PL6003	#4-600	4.00 [102]	2.38 [60]	2.75 [70]	3/8	3
1PL6004	#4-600	5.28 [134]	2.38 [60]	2.75 [70]	3/8	4
1PL6005	#4-600	6.56 [167]	2.38 [60]	2.75 [70]	3/8	5
1PL6006	#4-600	7.84 [199]	2.38 [60]	2.75 [70]	3/8	6
1PL6008	#4-600	10.41 [264]	2.38 [60]	2.75 [70]	3/8	8
1PL60010	#4-600	12.97 [329]	2.38 [60]	2.75 [70]	3/8	10

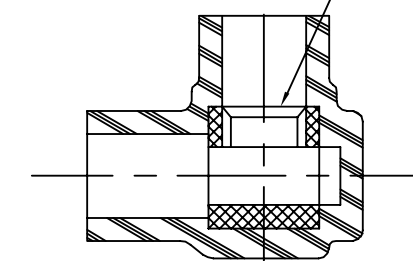
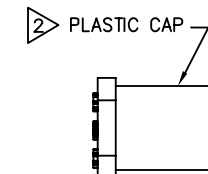
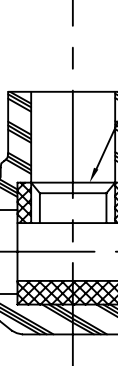
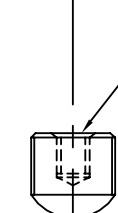
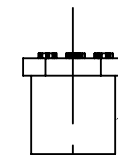
FEATURES	BENEFITS
PLASTISOL COVERED AL6061-T6 BODY	SAVES TIME, LOWERS INSTALLATION COSTS, ELIMINATES TAPING.
OXIDE-INHIBITOR IS PRE-INSTALLED	INHIBITS MOISTURE AND CONTAMINANTS FROM ENTERING THE CONTACT AREA
RANGE-TAKING	REDUCES THE NUMBER OF CONNECTORS CARRIED IN INVENTORY



REV.	DATE	DESCRIPTION	ECO	BY	C'K'D.
G	8/2/2013	LOGO CHANGE	32736	MVP	MB



LISTED



NOTES:

- THIS DRAWING TO BE INTERPRETED PER ASME Y14.5M-1994.
- END CAPS INSTALLED ON WIRE PORTS AND SET SCREW PORTS.
- ALL CONNECTORS UL LISTED, CSA CERTIFIED FOR AL9CU, 90°C APPLICATIONS, UNLESS OTHERWISE NOTED.
- DIMENSIONS IN BRACKETS [] ARE IN MILLIMETERS ROUNDED OFF TO THE NEAREST MILLIMETER, UNLESS OTHERWISE NOTED, AND ARE FOR REFERENCE ONLY.
- TORQUE SET SCREWS TO 375 IN/LB.

TO ORDER BURNDY® PRODUCTS CALL
 UNITED STATES:
 1-800-346-4175 (LONDONDERRY, NH)
 CANADA:
 1-800-361-6975 (QUEBEC)
 1-800-387-6487 (ALL OTHER PROVINCES)
 FOR PRODUCT INFO: <http://www.burndy.com>

UV BLACK COVERED DISTRIBUTION CONNECTORS

ITEM NO: N/A	
CAT NO: 1PL600-SERIES	
SCALE: N/A	
DRAWN BY: D RAJKUMAR	4/24/02
CHECKER: K HENRY	5/23/02
DSN APPVL: G DITROIA	3/6/02
MFG APPVL: T BONINA	2/27/02
QC APPVL: J BRODEUR	3/5/02
MKT APPVL: A ZWIT	2/27/02
PROD FAM: --	
PROJECT #: --	
DOCUMENT TYPE: Sales	
REL LEVEL: Released	
DRAWING NO	REV
SD214514	G
SHEET 12 OF 13	

