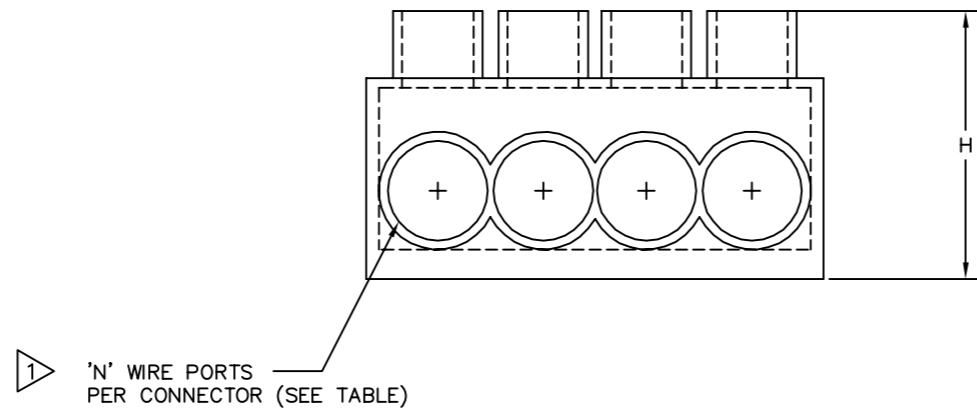
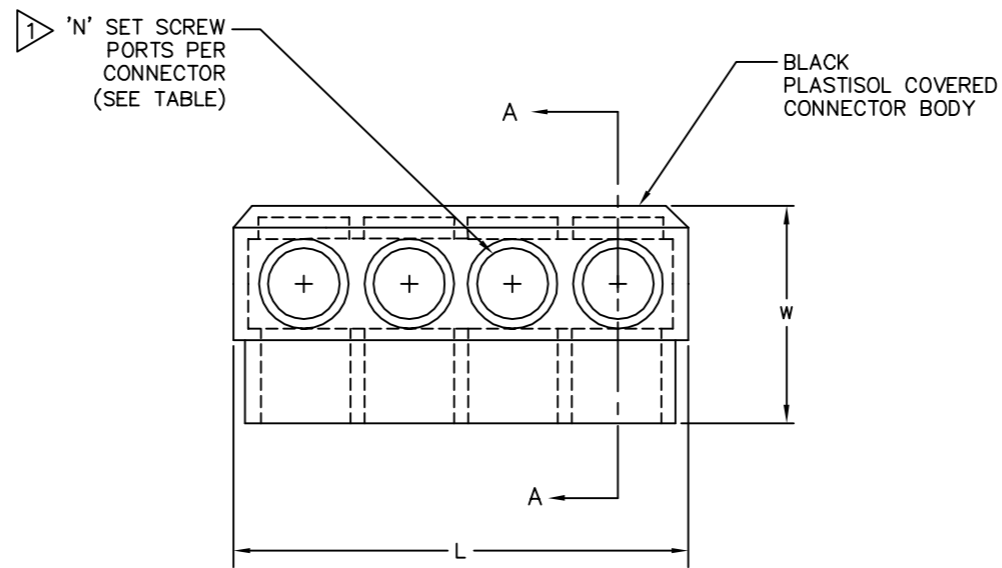
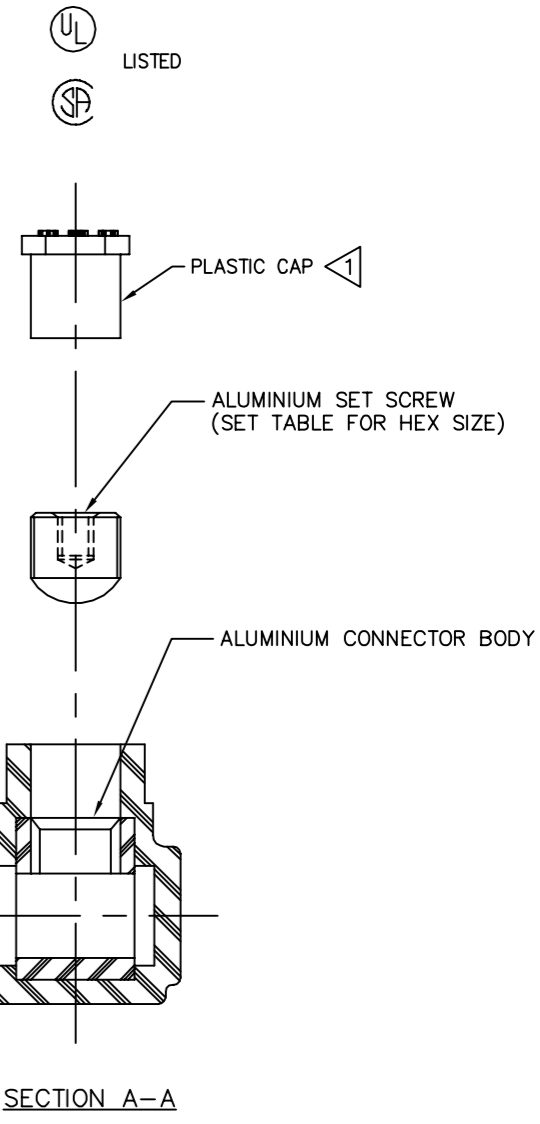


DRAWING NO. SD214514		7	6	5	4	3	2	1				
CATALOG NO.	WIRE RANGE (AWG/kcmil)	L	W	H	HEX KEY	N	REV.	DATE	DESCRIPTION	ECO	BY	C'K'D.
1PL750-2	#2-750	2.87 [73]	2.70 [69]	3.00 [76]	3/8	2	E	12/14/12	TORQUE VALUE INCLUDED.	29771	PB	MA
1PL750-3	#2-750	4.00 [102]	2.70 [69]	3.00 [76]	3/8	3						
1PL750-4	#2-750	5.38 [137]	2.70 [69]	3.00 [76]	3/8	4						
1PL750-6	#2-750	8.31 [207]	2.70 [69]	3.00 [76]	3/8	6						
1PL750-8	#2-750	10.88 [276]	2.70 [69]	3.00 [76]	3/8	8						

FEATURES	BENEFITS
PLASTISOL COVERED AL6061-T6 BODY	SAVES TIME, LOWERS INSTALLATION COSTS, ELIMINATES TAPING.
OXIDE-INHIBITOR IS PRE-INSTALLED	INHIBITS MOISTURE AND CONTAMINANTS FROM ENTERING THE CONTACT AREA
RANGE-TAKING	REDUCES THE NUMBER OF CONNECTORS CARRIED IN INVENTORY



REV.	DATE	DESCRIPTION	ECO	BY	C'K'D.
E	12/14/12	TORQUE VALUE INCLUDED.	29771	PB	MA



NOTES:

- 1 END CAPS INSTALLED ON WIRE PORTS AND SET SCREW PORTS.
- 2 NOT UL LISTED.
3. DIMENSIONS IN BRACKETS [] ARE IN MILLIMETERS ROUNDED OFF TO THE NEAREST MILLIMETER, UNLESS OTHERWISE NOTED, AND ARE FOR REFERENCE ONLY.
4. TORQUE SET SCREWS TO 375 IN/LB.

TO ORDER BURNDY® PRODUCTS CALL		UV BLACK COVERED DISTRIBUTION CONNECTORS	
UNITED STATES:		ITEM NO: N/A	
1-800-346-4175 (LONDONDERRY, NH)		CAT NO: 1PL750-SERIES	
CANADA:		SCALE: N/A	
1-800-361-6975 (QUEBEC)		DRAWN BY: D RAJKUMAR 4/24/02	
1-800-387-6487 (ALL OTHER PROVINCES)		CHECKER: K HENRY 5/23/02	
FOR PRODUCT INFO: http://www.burndy.com		DSN APPVL: G DITROIA 3/6/02	
		MFG APPVL: T BONINA 2/27/02	
		QC APPVL: J BRODEUR 3/5/02	
		MKT APPVL: A ZWIT 2/27/02	
		DRAWING NO	
		SD214514	
		REV	
		E	
		SHEET 13 OF 13	

