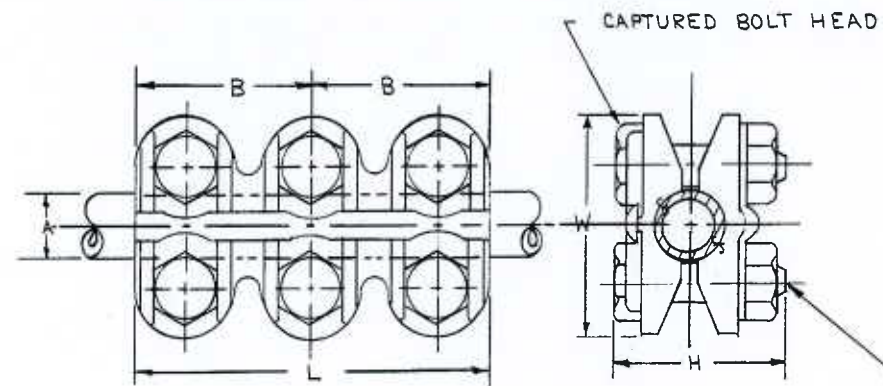


SD58795

REV.	DATE	REVISION DESCRIPTION	BY	CHKD.
1	7-7-67	REV REF PRINT (DC4473)	WGG	K.W.B.

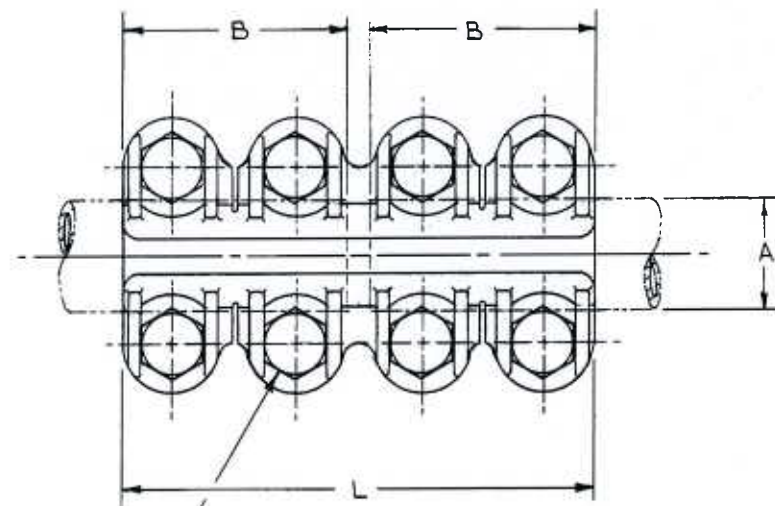
CAT. NO.	COPPER IPS 'A'	B	H	J	L	W	FIG.
NS1313-8HC	1/2" IPS (.840 DIA.)	2.32	1/2-13	5.75	2.69	/	1
NS1414-8HC	3/4" IPS (1.050 DIA.)						
NS1515-HC	1" IPS (1.315 DIA.)						
NS1616-HC	1 1/4" IPS (1.660 DIA.)	2.69	2.57	1/2-13	5.75	3.50	/
NS1717-HC	1 1/2" IPS (1.900 DIA.)	3.25	2.81	1/2-13	5.75	3.94	/
NS1818-HC	2" IPS (2.375 DIA.)						
NS1919-HC	2 1/2" IPS (2.875 DIA.)						
NS2020-HC	3" IPS (3.500 DIA.)	3.25	4.64	5/8-11	7.25	6.19	/
NS2121-HC	3 1/2" IPS (4.000 DIA.)						
NS2222-HC	4" IPS (4.500 DIA.)						
NS14-14 HC	3/4" IPS (1.080 DIA.)	2.69	2.32	1/2-13	5.38	2.81	2

FIG. 2

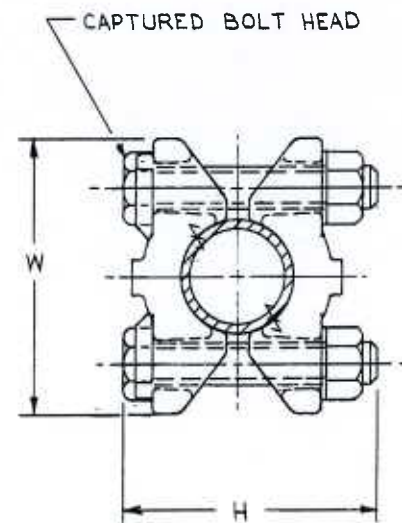


SIX 'J' DIA. SILICON BRONZE HEX. HD. BOLTS HEX NUTS & SHP. LW.

FIG. 1



EIGHT 'J' DIA. SILICON BRONZE HEX. HD. BOLTS, HEX. NUTS & SHP. LWS.



MATERIAL:
CAST COPPER ALLOY

SUPERSEDES SA 48094-0

COUPLER

CAT. NO. NS-8HC & NS-HC TABLE		SCALE
DRAWN A.T.T.	5-13-65	CHECKED M.J.M. 5-26-65
DES. APPROV. W.B. 5-27-65		PROD. APPROV.
DRAWING NO.		REV.
SD58795		1

BURNDY

SD58795