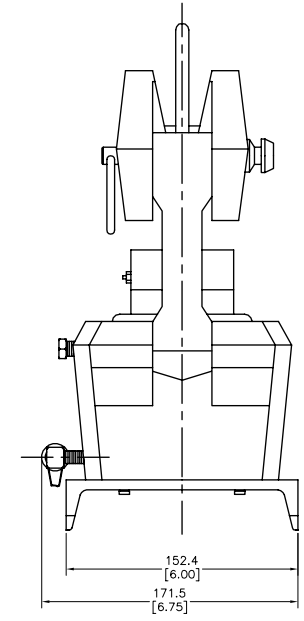
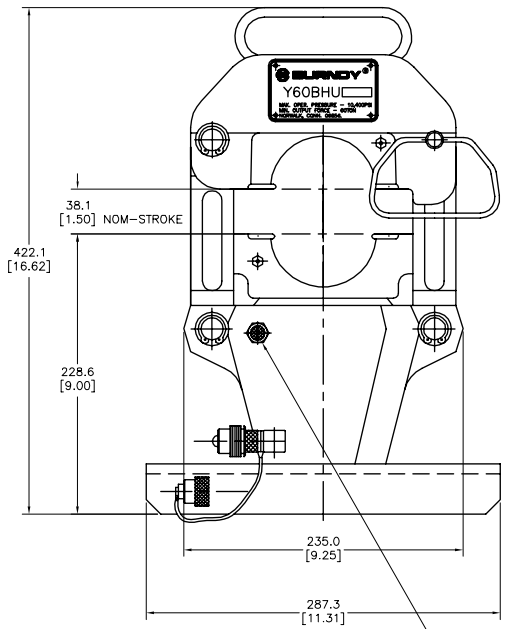
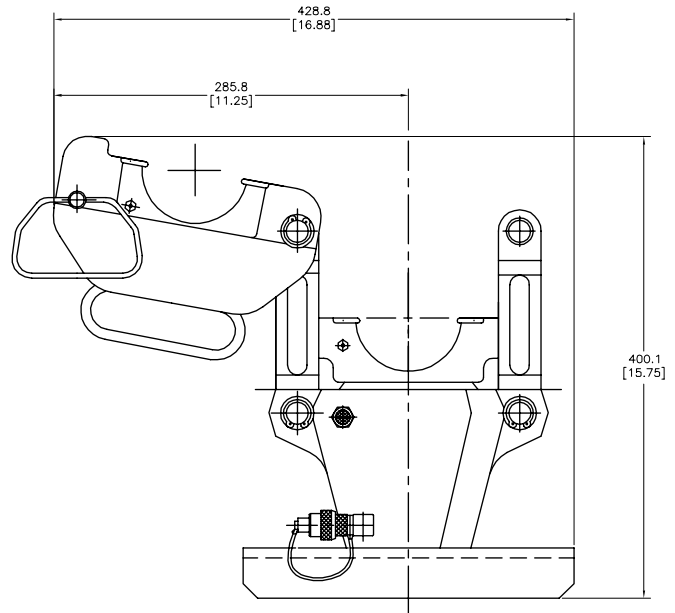
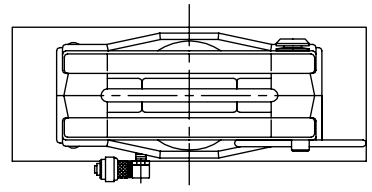


REV.	DATE	DESCRIPTION	ECO	BY	C'K'D.
A	02/03/12	DRP PROCESS	26643	MRA	MA



VIEW: FOR BASIC DIMS. ONLY

NOTES:

- OPERATING PRESSURE - 9,600 TO 10,400 PSI.
- MIN. CRIMP FORCE - 60 TONS.
- WORKING FLUID - BURNDY®ALFLUID.
- FLUID VOLUME REQUIRED - 22.0 CU.IN.
- MAX. WEIGHT WITHOUT DIES - 70 LB.
- OVER - ALL DIMS - 11.31 X 6.75 X 16.62 IN.
- NOM.RAM STROKE - 1.50 IN.
- ACCOMMODATES - BURNDY® 'L' DIES.
- LIFE EXPECTANCY - 50,000 CYCLES MIN.
- CAT.NO Y60BHU IS SINGLE ACTION RAM (SPRING RETURN).
CAT.NO Y60BHUD IS DOUBLE ACTION RAM (PRESSURE RETURN).
- CAT NO. INCLUDES: 60 TON HYPRESS, CARRY CASE & INSTRUCTION MANUAL.

CAUTION: DO NOT OPERATE HYPRESS WITHOUT UPPER DIE HOLDER CLOSED AND LOCKED

Y60BHU WILL HAVE BREATHER VENT & MALE COUPLER AS SHOWN.
Y60BHUD WILL HAVE 2 MALE COUPLERS (ONE IN-PLACE OF BREATHER VENT)

TO ORDER BURNDY® PRODUCTS CALL UNITED STATES: 1-800-346-4175 (LONDONDERRY, NH) CANADA: 1-800-361-6975 (QUEBEC) 1-800-387-6487 (ALL OTHER PROVINCES) FOR PRODUCT INFO: http://www.burndy.com		HYPRESS HEAD (60 TON)	
		ITEM NO: N/A	
		CAT NO: Y60BHU & Y60BHUD	
		SCALE: NTS	
		DRAWN BY: M.RAMESH	02/03/12
		CHECKER: ---	---
		DSN APPVL: ---	---
		MFG APPVL: ---	---
		QC APPVL: ---	---
		MKT APPVL: ---	---
		PROD FARM: ---	---
		PROJECT #: ---	---
		DOCUMENT TYPE: Sales	---
		REL LEVEL: AutoCAD	---
		DRAWING NO	REV
		SE086030-01	A
		SHEET 1 OF 1	

