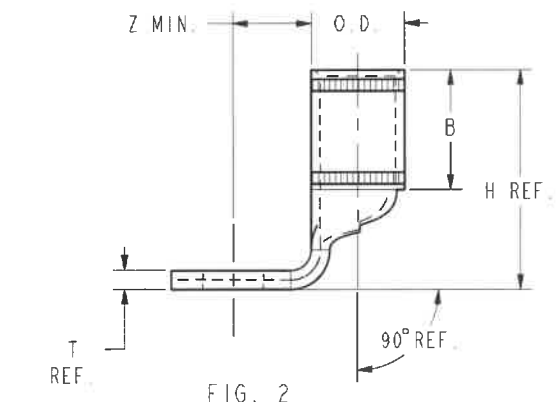
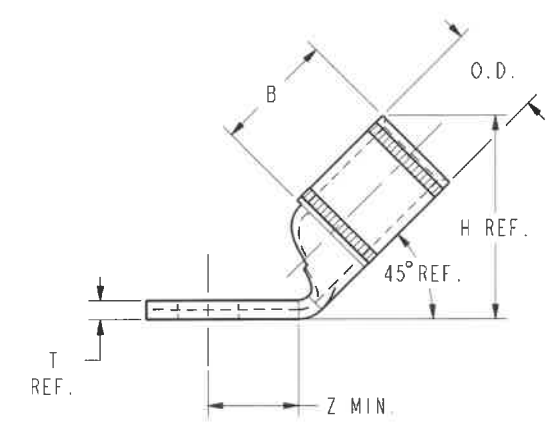
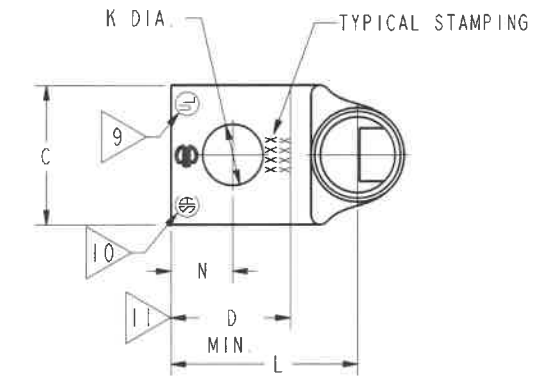
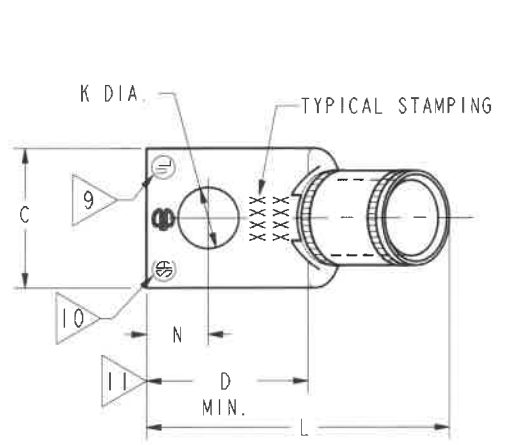


DRAWING NO. SE209240	7			6		5		4			3			2		1								
	CATALOG NUMBER	STRANDED COPPER CONDUCTOR ACCOMMODATED		BOLT SIZE	METRIC BOLT SIZE	FIG. NO.	DIMENSIONS									REV	DATE	DESCRIPTION	ECO	BY	C.H.K.			
CODE (AWG)		NAVY	METRIC SIZE (CLASS 2)				B	C	H REF.	K DIA.	L	N	O.D.	T REF.	Z MIN.							D	2019-04-25 01:00:00 EDI	YA30L2890 LENGTH CHANGED FROM 1.951(41) TO 2.051(52)
YA30L145	300 Kcmil	300	150mm <sup>2</sup> STR [16.2]	5/16	-----	1	1.03 [26]	1.20 [30]	1.75 [44]	.33 [8]	2.22 [56]	.34 [9]	.81 [21]	.16 [4]	.36 [9]	CONNECTOR SIZE	TOLERANCES							
2						3/8	-----	1.89 [48]	.33 [8]	1.24 [31]	.34 [9]	-8C THRU -25					±.06	±.04	±.02	±.09	±.03	±.01		
1				1.75 [44]	.40 [10]			2.35 [60]	.41 [10]	-26 THRU -34	±.08		±.04	±.02	±.12								±.03	±.01
2				1.89 [48]	.40 [10]			1.36 [35]	.41 [10]															
1				1.75 [44]	.53 [13]			2.60 [66]	.53 [13]	TOLERANCE BLOCK														
2				1.89 [48]	.53 [13]			1.61 [41]	.53 [13]															
1				1.75 [44]	.53 [13]			2.60 [66]	.53 [13]															
2				1.89 [48]	.53 [13]	1.61 [41]	.53 [13]																	
2	1.03 [26]	1.20 [30]	1.89 [48]	.81 [20]	2.05 [52]	.75 [19]	.81 [21]	.16 [4]	.77 [19]															

INSTALLATION TOOLING (# CRIMPS)																
CATALOG NO.	COLOR CODE	DIE INFORMATION		MECHANICAL RATCHET				HYDRAULIC						DIELESS (# CRIMPS)	WIRE STRIP LENGTH	
		DIE INDEX	TYPE	6 YIMRTC	OUR840	MD6 MD7	MD6--R2 MD7-34R	PATMD6 PAT600	8 Y34A Y34B Y34BH	5 Y35, Y39 Y750, PAT750	5 4 Y46 PAT46	5 3 Y45	Y48B			Y60BHU
YA30L45	WHITE	17 298	WHITE DIE SET	-----	-----	W30VT(2)	W30VT(2) W30RT(2)	W30VT(2) W30RT(2)	A28AR(1)	U30RT(2) U28ART(2)	U30RT(2) U28ART(2)	U30RT(2) U28ART(2)	C30R(2) C28AR(2)	L30RT(1)	HYDRAULIC: Y644(1) Y81KFT(2) Y4PC834(2)	1"
YA30L90			NEST	-----	-----	-----	-----	-----	B30D(1) A30D(1)	U30D-1(1)	U30D-1(1)	U30D-1(1)	C30D(1)	-----		
			INDENTOR	-----	-----	-----	-----	-----	-----	Y34PR	Y34PR	Y34PR	Y34PR	Y48PR		

- NOTES:
- MATERIAL : COPPER TUBING.
  - FINISH: ELECTRO-TIN PLATED.
  - CATALOG # PT6515 ADAPTOR IS REQUIRED TO USE "U" DIES IN Y45 SERIES TOOLS.
  - CATALOG # PUADP-1 ADAPTOR IS REQUIRED TO USE "U" DIES IN Y46 SERIES TOOLS.
  - Y35P3 INDENTOR ADAPTOR REQUIRED FOR Y34PR INDENTOR.
  - PERMANENT DIE IN TOOLING.
  - DIMENSIONS IN BRACKETS [ ] ARE IN MILLIMETERS ROUNDED OFF TO THE NEAREST MILLIMETER, UNLESS OTHERWISE NOTED, AND ARE FOR REFERENCE ONLY.
  - FOR USE BY CUSTOMERS THAT HAVE THIS HYPRESS™. NO NEW Y34A HYPRESS™ TOOLS ARE BEING PROCESSED. Y34A USES A--D NEST DIES ONLY.
  - CONNECTORS ARE UL LISTED; UNDRILLED VERSIONS ARE NOT UL LISTED.
  - CONNECTORS ARE CSA CERTIFIED; UNDRILLED VERSIONS ARE NOT CSA CERTIFIED.
  - FOR UNDRILLED VERSIONS ADD SUFFIX "-U" TO END OF CATALOG NUMBER. FOR UNDRILLED VERSIONS, USE D MIN. = N MAX. + Z MIN.
  - "X", "W-RT", "W-VT", "U", & "L" DIE SETS ARE COLOR CODED. "A", "B", AND "C" DIES ARE NOT COLOR CODED. NESTS AND INDENTOR TYPE ARE NOT COLOR CODED.



REFERENCE: SD079848

TO ORDER BURNDY® PRODUCTS CALL

UNITED STATES  
1-800-346-4175 (LONDONDERRY, NH)

CANADA:  
1-800-361-6975 (QUEBEC)  
1-800-387-6487 (ALL OTHER PROVINCES)

FOR PRODUCT INFO: <http://www.burndy.com>

COPPER HYLUG™	
ITEM NO:	N/A
CAT. NO:	YA30-L-- (TABLE)
DRAWN BY:	J MICHAUD 12/08/94
CHECKER:	D FELLION 12/08/94
DSN APPVL:	C PALAGI 12/08/94
MFG APPVL:	--
QA APPVL:	C ACKERMAN 12/23/94
MKT APPVL:	T NELSON 12/15/94
PROD FAM:	CM3R COMPRESSION
PROJECT #:	--
DOCUMENT TYPE:	Sales
REL LEVEL:	Released

SCALE: 1:1

DRAWING NO: SE209240

SHEET 22 OF 38

REV: PE0200