

DRAWING NO. SE209241	7			6			5			4			3			2			1			
	CATALOG NUMBER	STRANDED COPPER CONDUCTOR CODE (AWG)	NAVY	ACCOMMODATED METRIC SIZE (CLASS 2)	BOLT SIZE	METRIC BOLT SIZE	FIG. NO.	DIMENSIONS									REV	DATE	DESCRIPTION	ECO	BY	C'H'K.
							B	C	H REF.	K DIA.	L	N	O.D.	T REF.	Z MIN.							
YA6CTC845						1	1.12 [28]	.42 [11]	1.19 [30]	.18 [5]	1.66 [42]	.25 [6]	.29 [7]	.09 [2]	.23 [6]							
YA6CTC890						2		.42 [11]	1.52 [39]	.18 [5]	.69 [18]					.09 [2]	.23 [6]					
YA6CTC1045						1	1.12 [28]	.42 [11]	1.19 [30]	.21 [5]	1.72 [44]	.25 [6]	.29 [7]	.09 [2]	.27 [7]							
YA6CTC1090						2		.42 [11]	1.52 [39]	.21 [5]	.75 [19]					.09 [2]	.27 [7]					
YA6C45		#6 STR #6 SOL	-----	-----	1/4	M6	1	.41 [10]	1.03 [26]	.27 [7]	1.24 [31]			.09 [2]	.19 [5]							
YA6C90							2	.45 [11]	1.50 [38]	.27 [7]	.81 [21]			.08 [2]	.33 [8]							
YA6CN45					3/8	M12	1	.83 [21]	1.20 [30]	.56 [14]	2.53 [64]			.12 [3]	.64 [16]							
YA6CN90							2	.83 [21]	1.57 [40]	.56 [14]	1.52 [39]			.12 [3]	.64 [16]							

REV	DATE	DESCRIPTION	ECO	BY	C'H'K.
F	01/27/2016 00:00:00 AM	ADDED NOTE 14	42734	SPR	DD

CONNECTOR SIZE	TOLERANCES					
	B	C	K DIA.	L	N	O.D.
-8C THRU -25	±.06	±.04	±.02	±.09	±.03	±.01
-26 THRU -34	±.08	±.04	±.02	±.12	±.03	±.01
-35 AND UP	±.09	±.06	±.02	±.15	±.06	±.01

TOLERANCE BLOCK

CATALOG NO.	DIE INFORMATION			MECHANICAL RATCHET				HYDRAULIC				DIELESS (# CRIMPS)	WIRE STRIP LENGTH		
	COLOR CODE	DIE INDEX	TYPE	YIMRTC Y122CMR	OUR840	MD6 MD7	MD6--R2 MD7-34R	PATMD6 PAT600	Y34A Y34B Y34BH	Y35, Y39 Y750, PAT750	Y46 PAT46			Y45	Y48B
YA6CTC845 YA6CTC890 YA6CTC1045 YA6CTC1090 YA6C45, 90 YA6CN45, 90	BLUE	7 374	BLUE DIE SET NEST INDENTOR	BLUE (2)	X5CRT(2)	X5CRT(2) W5CRT(2) W5CVT(2)	X5CRT(2) W5CRT(2) W5CVT(2)	X5CRT(2) W5CRT(2) W5CVT(2)	----- B6CD(1) A6CD(1) Y34PR	U5CRT(2) U8CABT(2) Y34PR	U5CRT(2) U8CABT(2) Y34PR	U5CRT(2) U8CABT(2) Y34PR	----- -----	MECHANICAL: MY29-3(2) MY29-11(2) MRC840(2) HYDRAULIC: Y644(1) Y81KFT(1) YY4PC834(1)	1-3/16"

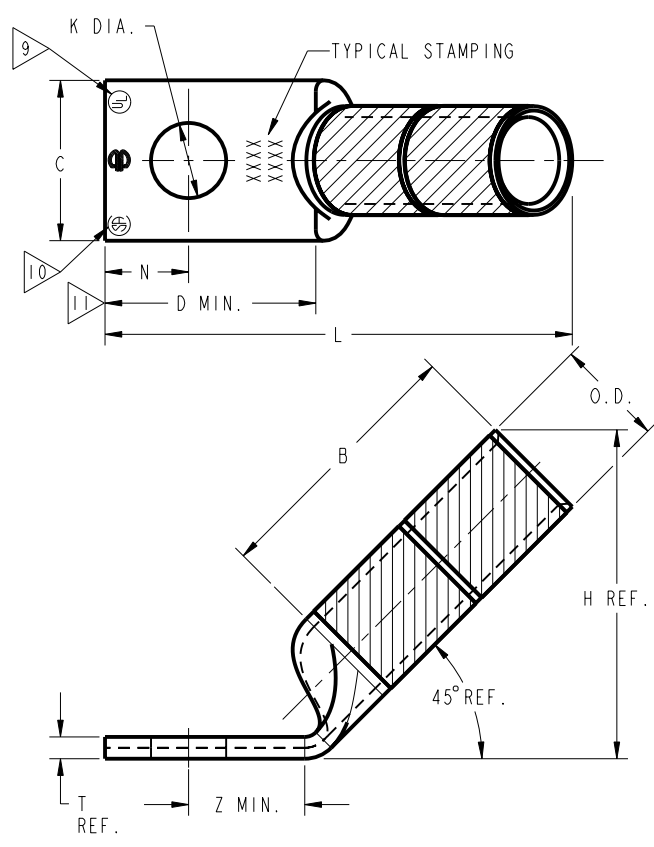


FIG. 1

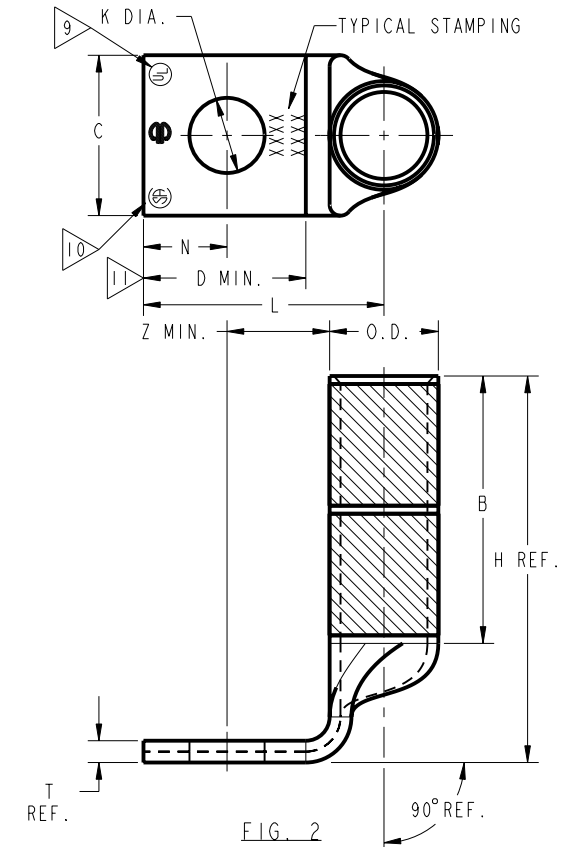


FIG. 2

REFERENCE: SD79849

- NOTES:
- MATERIAL : COPPER TUBING.
  - FINISH: ELECTRO-TIN PLATED.
  - CATALOG # PT6515 ADAPTOR IS REQUIRED TO USE "U" DIES IN Y45 SERIES TOOLS.
  - CATALOG # PUADP-1 ADAPTOR IS REQUIRED TO USE "U" DIES IN Y46 SERIES TOOLS.
  - Y35P3 INDENTOR ADAPTOR REQUIRED FOR Y34PR INDENTOR.
  - PERMANENT DIE IN TOOLING.
  - DIMENSIONS IN BRACKETS [ ] ARE IN MILLIMETERS ROUNDED OFF TO THE NEAREST MILLIMETER, UNLESS OTHERWISE NOTED, AND ARE FOR REFERENCE ONLY.
  - FOR USE BY CUSTOMERS THAT HAVE THIS HYPRESS™. NO NEW Y34A HYPRESSES™ TOOLS ARE BEING PROCESSED. Y34A USES A--D NEST DIES ONLY.
  - CONNECTORS ARE UL LISTED; UNDRILLED VERSIONS ARE NOT UL LISTED.
  - CONNECTORS ARE CSA CERTIFIED; UNDRILLED VERSIONS ARE NOT CSA CERTIFIED.
  - FOR UNDRILLED VERSIONS ADD SUFFIX "-U" TO END OF CATALOG NUMBER. FOR UNDRILLED VERSIONS, USE D MIN. = N MAX. + Z MIN.
  - "X", "W-RT", "W-VT", "U", & "L" DIE SETS ARE COLOR CODED. "A", "B", AND "C" DIES ARE NOT COLOR CODED. NESTS AND INDENTOR TYPE ARE NOT COLOR CODED.
  - DO NOT USE PAT644 OR Y644 TOOLING WITH 6 AWG SOL.
  - THESE CATALOG NUMBERS CANNOT BE INSTALLED WITH Y45 TOOLING.

TO ORDER BURNDY® PRODUCTS CALL		COPPER HYLUG™	
UNITED STATES 1-800-346-4175 (LONDONDERRY, NH)		ITEM NO: N/A	CAT. NO: YA-TC-45,-90 / YA-45,-90 / YA-N-45,-90
CANADA: 1-800-361-6975 (QUEBEC) 1-800-387-6487 (ALL OTHER PROVINCES)		DRAWN BY: J.MICHAUD 1/17/95	CHECKER: D.FILLION 1/17/95
FOR PRODUCT INFO: <a href="http://www.burndy.com">http://www.burndy.com</a>		DSN APPVL: C.PALAGI 1/18/95	MFG APPVL: N/A
		QA APPVL: C.ACKERMAN 2/03/95	MKT APPVL: T.NELSON 1/20/95
		PROJ #:	SCALE: NTS
		DOCUMENT TYPE: Sales	DRAWING NO: SE209241
		REL LEVEL: Released	REV: F
		SIZE: D	SHEET 2 OF 32

REV: PE0200