

DRAWING NO.
SE209241

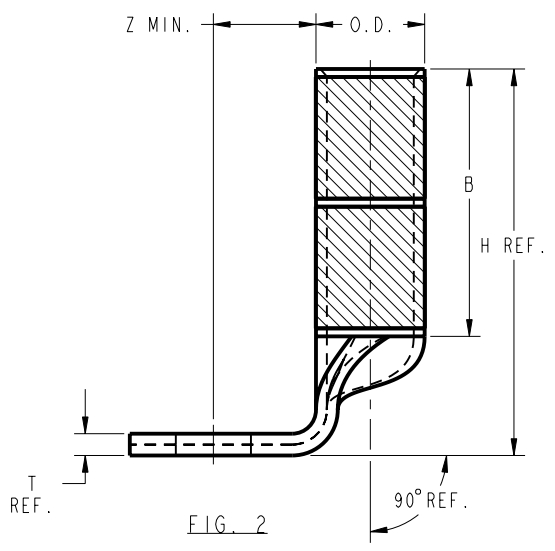
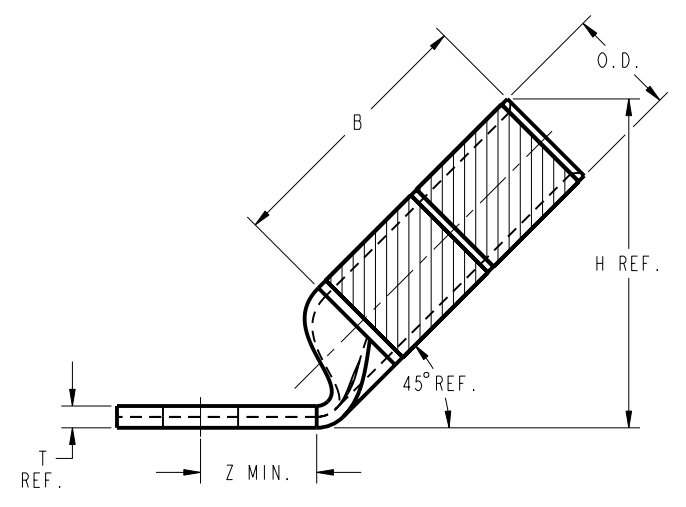
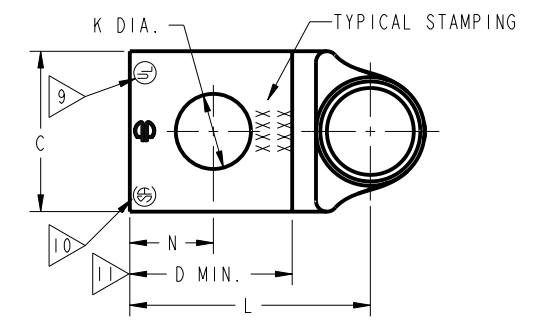
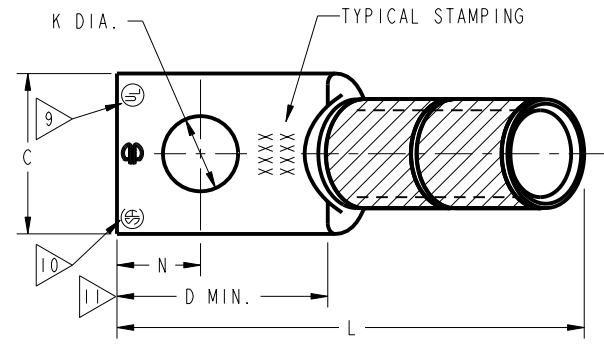
CATALOG NUMBER	STRANDED COPPER CONDUCTOR CODE (AWG)	NAVY	ACCOMMODATED METRIC SIZE (CLASS 2)	BOLT SIZE	METRIC BOLT SIZE	FIG. NO.	DIMENSIONS								
							B	C	H REF.	K DIA.	L	N	O.D.	T REF.	Z MIN.
YA3CTC3845	#3 AWG	50	25mm ² STR [6.6]	3/8	-----	1	1.25 [32]	.58 [15]	1.40 [36]	.40 [10]	2.16 [29]	.41 [10]	.38 [10]	.08 [2]	.42 [11]
2						.58 [15]	1.72 [44]	.40 [10]	1.10 [28]	.41 [10]	.08 [2]	.42 [11]			
YA3CTC3890	#2 SOL	50	25mm ² STR [6.6]	1/2	M12	1	.83 [21]	1.41 [36]	.56 [14]	2.68 [68]	.63 [16]	.12 [3]	.64 [16]		
2						1.25 [32]	.83 [21]	1.79 [45]	.56 [14]	1.56 [40]	.63 [16]	.12 [3]	.64 [16]		

REV	DATE	DESCRIPTION	ECO	BY	CHK	MA
C	05/02/2012 00:00:00 AM	TOOLING DETAILS UPDATED AS PER THE MARKUP	27322	DK	MA	

CONNECTOR SIZE	TOLERANCES					
	B	C	K DIA	L	N	O.D.
-8C THRU -25	±.06	±.04	±.02	±.09	±.03	±.01
-26 THRU -34	±.08	±.04	±.02	±.12	±.03	±.01
-35 AND UP	±.09	±.06	±.02	±.15	±.06	±.01

TOLERANCE BLOCK

CATALOG NO.	DIE INFORMATION			MECHANICAL RATCHET				HYDRAULIC						DIELESS (# CRIMPS)	WIRE STRIP LENGTH	
	COLOR CODE	DIE INDEX	TYPE	YIMRTC	OUR840	MD6 MD7	MD6--R2 MD7-34R	PATMD6 PAT600	Y34A Y34B Y34BH	Y35, Y39 Y750, BAT35 PAT750	Y46 PAT46	Y45	Y48B			Y60BHU
YA3CTC3845 YA3CTC3890 YA3CN45 YA3CN90	WHITE	9	WHITE DIE SET NEST INDENTOR	WHITE (4)	W3CRT(2)	W3CRT(2)	W3CRT(2)	W3CRT(2)	-----	U3CRT(2)	U3CRT(2)	U3CRT(2)	-----	-----	MECHANICAL: MY29-3(2) MY29-11(2) HYDRAULIC: Y644(1) Y81KFT(2) YY4PC834(2)	1-5/16"



NOTES:

- MATERIAL : COPPER TUBING.
- FINISH: ELECTRO-TIN PLATED.
- CATALOG # PT6515 ADAPTOR IS REQUIRED TO USE "U" DIES IN Y45 SERIES TOOLS.
- CATALOG # PUADP-1 ADAPTOR IS REQUIRED TO USE "U" DIES IN Y46 SERIES TOOLS.
- Y35P3 INDENTOR ADAPTOR REQUIRED FOR Y34PR INDENTOR.
- PERMANENT DIE IN TOOLING.
- DIMENSIONS IN BRACKETS [] ARE IN MILLIMETERS ROUNDED OFF TO THE NEAREST MILLIMETER, UNLESS OTHERWISE NOTED, AND ARE FOR REFERENCE ONLY.
- FOR USE BY CUSTOMERS THAT HAVE THIS HYPRESS™. NO NEW Y34A HYPRESSES™ ARE BEING PROCESSED. Y34A USES A--D NEST DIES ONLY.
- CONNECTORS ARE UL LISTED; UNDRILLED VERSIONS ARE NOT UL LISTED.
- CONNECTORS ARE CSA CERTIFIED; UNDRILLED VERSIONS ARE NOT CSA CERTIFIED.
- FOR UNDRILLED VERSIONS ADD SUFFIX "-U" TO END OF CATALOG NUMBER. FOR UNDRILLED VERSIONS, USE D MIN. = N MAX. + Z MIN.
- "X", "W-RT", "W-VT", "U", & "L" DIE SETS ARE COLOR CODED. "A", "B", AND "C" DIES ARE NOT COLOR CODED. NESTS AND INDENTOR TYPE ARE NOT COLOR CODED.

REFERENCE: SD79849

TO ORDER BURNDY® PRODUCTS CALL		COPPER HYLUG™	
UNITED STATES 1-800-346-4175 (LONDONDERRY, NH)		ITEM NO: N/A	CAT. NO: YA-TC-45, -90 / YA-45, -90 / YA-N-45, -90
CANADA: 1-800-361-6975 (QUEBEC) 1-800-387-6487 (ALL OTHER PROVINCES)		DRAWN BY: J.MICHAUD 1/17/95	CHECKER: D.FILLION 1/17/95
FOR PRODUCT INFO: http://www.burndy.com		DSN APPVL: C.PALAGI 1/18/95	MFG APPVL: N/A
		QA APPVL: C.ACKERMAN 2/03/95	MKT APPVL: T.NELSON 1/20/95
		PROJ #:	SCALE: NTS
		DOCUMENT TYPE: Sales	DRAWING NO: SE209241
		REL LEVEL: Released	SHEET 7 OF 32

REV: PE0200