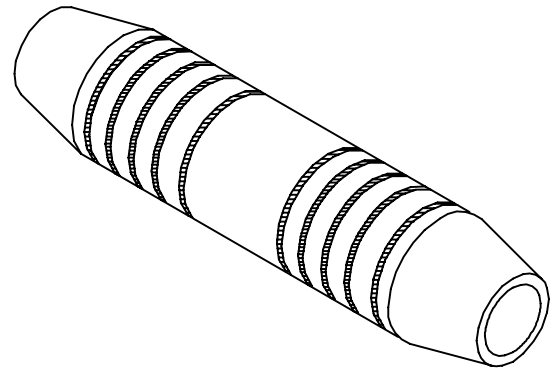
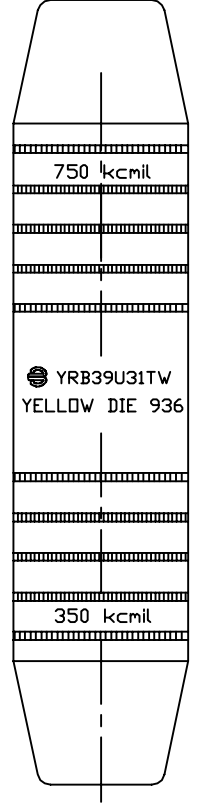
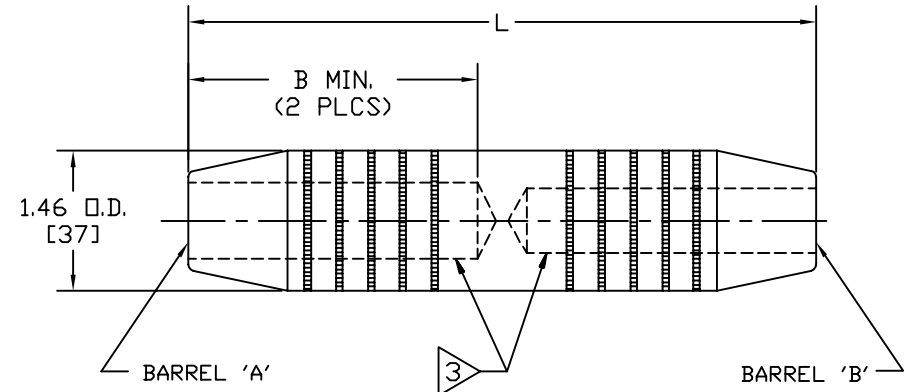


DRAWING NO. SE211534	7		6		5		4		3		2		1			
	CATALOG NUMBER	CONDUCTOR RANGE				DIMENSIONS		WIRE STRIP LENGTH		DIE NUMBER	REV	DATE	DESCRIPTION	ECO	BY	C/HK.
BARREL "A" CU. & ALUM.		BARREL "B" CU. & ALUM.			B MIN.	L	BARREL "A"	BARREL "B"	F		08/30/2016 00:00:00 AM	SALES DRAWING CREATED	44777	JR	MB	
YRB36U36TW	600 kcmil (.893 DIA.) 61 STR.				600 kcmil (.893 DIA.) 61 STR.		2.87 [73]	6.74 [171]	3"	3"	936					
YRB38U34TW	700 kcmil (.964 DIA.) 61 STR.; DR 700 kcmil CMPCT (.877 DIA.) 61 STR.				500 kcmil (.813 DIA.) 37 STR. DR 500 kcmil CMPCT (.736 DIA.) 19 STR. ALUM; 37 STR. ALUM. & CU.		2.87 [73]	6.74 [171]	3"	3"	936					
YRB39U28TW	750 kcmil (.988 DIA.) 61 STR.; 750 kcmil CMPCT (.908 DIA.) 61 STR.; 700 kcmil (.964 DIA.) 61 STR.				4/0 (.528 DIA.) 19 STR. DR 4/0 CMPCT (.475 DIA.) 19 STR.		2.87 [73]	6.74 [171]	3"	3"	936					
YRB39U30TW	750 kcmil (.988 DIA.) 61 STR.; 750 kcmil CMPCT (.908 DIA.) 61 STR.; 700 kcmil (.964 DIA.) 61 STR.				300 kcmil (.630 DIA.) 37 STR.		2.87 [73]	6.74 [171]	3"	3"	936					
YRB39U31TW	750 kcmil (.988 DIA.) 61 STR.; 750 kcmil CMPCT (.908 DIA.) 61 STR.; 700 kcmil (.964 DIA.) 61 STR.				350 kcmil (.681 DIA.) 37 STR. DR 350 kcmil CMPCT (.616 DIA.) 19 STR. ALUM; 37 STR. ALUM. & CU.		2.87 [73]	6.74 [171]	3"	3"	936					
YRB39U34TW	750 kcmil (.988 DIA.) 61 STR.; 750 kcmil CMPCT (.908 DIA.) 61 STR.; 700 kcmil (.964 DIA.) 61 STR.				500 kcmil (.813 DIA.) 37 STR. DR 500 kcmil CMPCT (.736 DIA.) 19 STR. ALUM; 37 STR. ALUM. & CU.		2.87 [73]	6.74 [171]	3"	3"	936					
YRB39U38TW	750 kcmil (.988 DIA.) 61 STR.; DR 750 kcmil CMPCT (.908 DIA.) 61 STR.				700 kcmil (.964 DIA.) 61 STR.; DR 700 kcmil CMPCT (.877 DIA.) 61 STR.		2.87 [73]	6.74 [171]	3"	3"	936					
YRB39U39TW	750 kcmil (.988 DIA.) 61 STR.; 750 kcmil CMPCT (.908 DIA.) 61 STR.; 700 kcmil (.964 DIA.) 61 STR.				750 kcmil (.988 DIA.) 61 STR.; 750 kcmil CMPCT (.908 DIA.) 61 STR.; 700 kcmil (.964 DIA.) 61 STR.		2.87 [73]	6.74 [171]	3"	3"	936					
YRB44U31TW	1000 kcmil (1.152 DIA.) 61 STR.				350 kcmil (.681 DIA.) 37 STR. DR 350 kcmil CMPCT (.616 DIA.) 19 STR. ALUM; 37 STR. ALUM. & CU.		2.87 [73]	6.74 [171]	3"	3"	936					
YRB44U34TW	1000 kcmil (1.152 DIA.) 61 STR.				500 kcmil (.813 DIA.) 37 STR. DR 500 kcmil CMPCT (.736 DIA.) 19 STR. ALUM; 37 STR. ALUM. & CU.		2.87 [73]	6.74 [171]	3"	3"	936					
YRB44U38TW	1000 kcmil (1.152 DIA.) 61 STR.				750 kcmil (.964 DIA.) 61 STR.; DR 700 kcmil CMPCT (.877 DIA.) 61 STR.		2.87 [73]	6.74 [171]	3"	3"	936					
YRB44U39TW	1000 kcmil (1.152 DIA.) 61 STR.				750 kcmil (.988 DIA.) 61 STR.; 750 kcmil CMPCT (.908 DIA.) 61 STR.; 700 kcmil (.964 DIA.) 61 STR.		2.87 [73]	6.74 [171]	3"	3"	936					
YRB44U44TW	1000 kcmil (1.152 DIA.) 61 STR.				1000 kcmil (1.152 DIA.) 61 STR.		2.87 [73]	6.74 [171]	3"	3"	936					

COLOR CODE	INSTALLATION TOOLING (# OF CRIMPS PER END)						
	DIE INFORMATION		HYDRAULIC				
	DIE INDEX	TYPE	Y35, Y39, Y750 BAT35, BAT750 PAT750	Y46	Y45	Y48B	Y60BHU
YELLOW	936	YELLOW DIE SET	U39ART-2 (4)	U39ART-2 (4)	U39ART-2 (4)	C39AR-2 (2)	L39ART-2 (2)



TYPICAL LETTERING VIEW

- NOTES:
- MATERIAL: ALUMINUM
 - FINISH: HOT-TIN DIPPED.
 - BARRELS ARE PARTIALLY FILLED WITH PENETROX™ AND SEALED.
 - SCRATCH BRUSHING OF ALL CONDUCTORS BEFORE MAKING INSTALLATION IS RECOMMENDED
 - NOT FOR USE WITH COPPER TO COPPER APPLICATIONS.
 - DIMENSIONS IN BRACKETS [] ARE IN MILLIMETERS ROUNDED OFF TO THE NEAREST MILLIMETER, UNLESS OTHERWISE NOTED, AND ARE FOR REFERENCE ONLY.
 - CATALOG #PT6515 ADAPTOR IS REQUIRED TO USE "U" DIES IN Y45 SERIES TOOLS.
 - CATALOG #PUADP-1 ADAPTOR IS REQUIRED TO USE "U" DIES IN Y46 SERIES TOOLS.
 - INDEX NUMBER 936 GIVES A HEXAGONAL CRIMP.

TO ORDER BURNDY® PRODUCTS CALL		HYREDUCER™	
UNITED STATES 1-800-346-4175 (LONDONDERRY, NH)		ITEM NO:	N/A
CANADA: 1-800-361-6975 (QUEBEC) 1-800-387-6487 (ALL OTHER PROVINCES)		CAT. NO:	YRB- -U- -TW (TABLE)
FOR PRODUCT INFO: http://www.burndy.com		DRAWN BY:	D BOISVERT 7/20/98
		CHECKER:	J MICHAUD 8/06/98
		DSN APPVL:	D WALTERS 7/13/98
		MFG APPVL:	---
		QA APPVL:	S GRAY 7/14/98
		MKT APPVL:	B HARGROOVE 7/14/98
		PROD FAM:	---
		PROJECT #:	---
		DOCUMENT TYPE:	Sales
		REL LEVEL:	Released
		SCALE:	1:1
		DRAWING NO:	SE211534
		SHEET:	5 OF 5

REV: PEG200