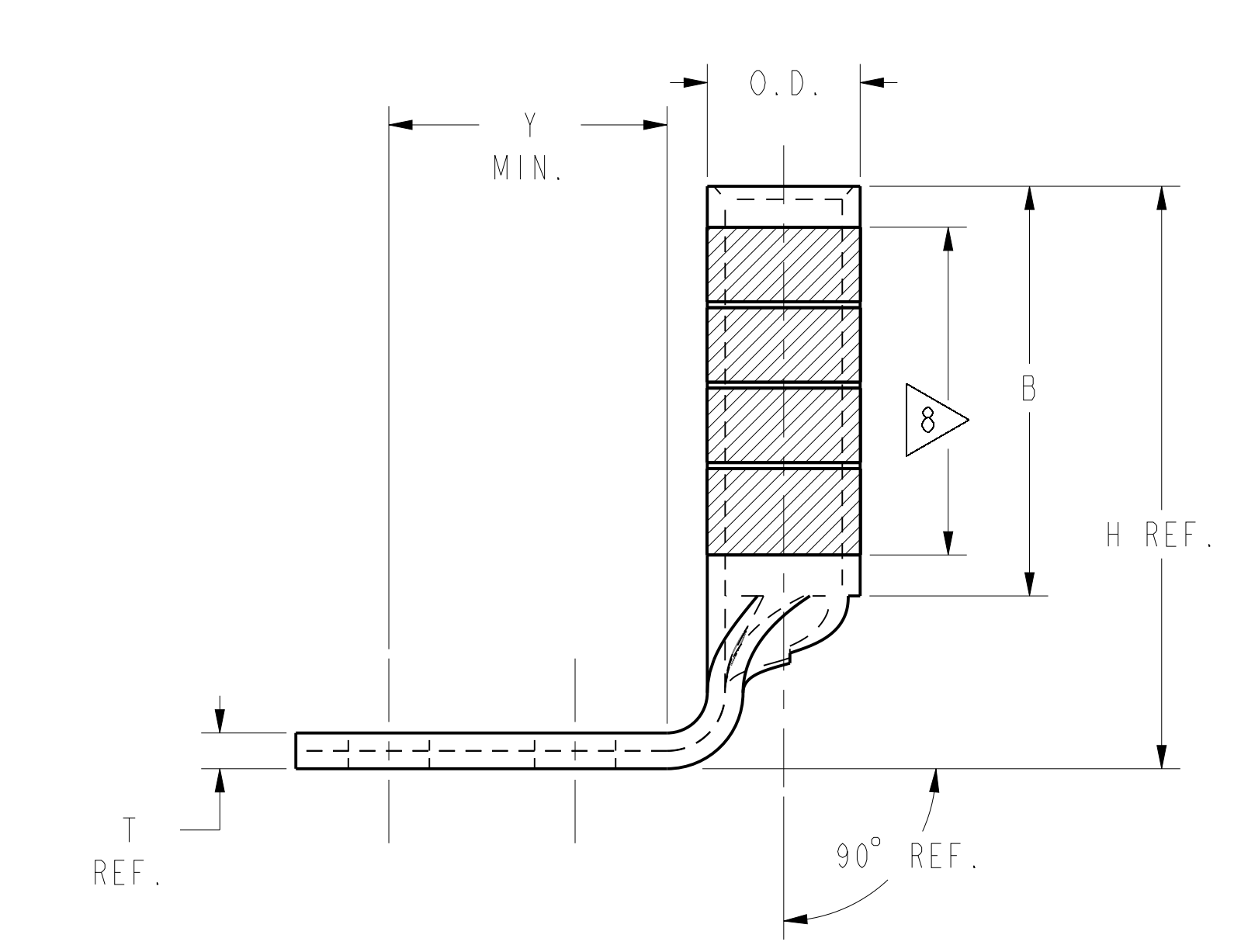
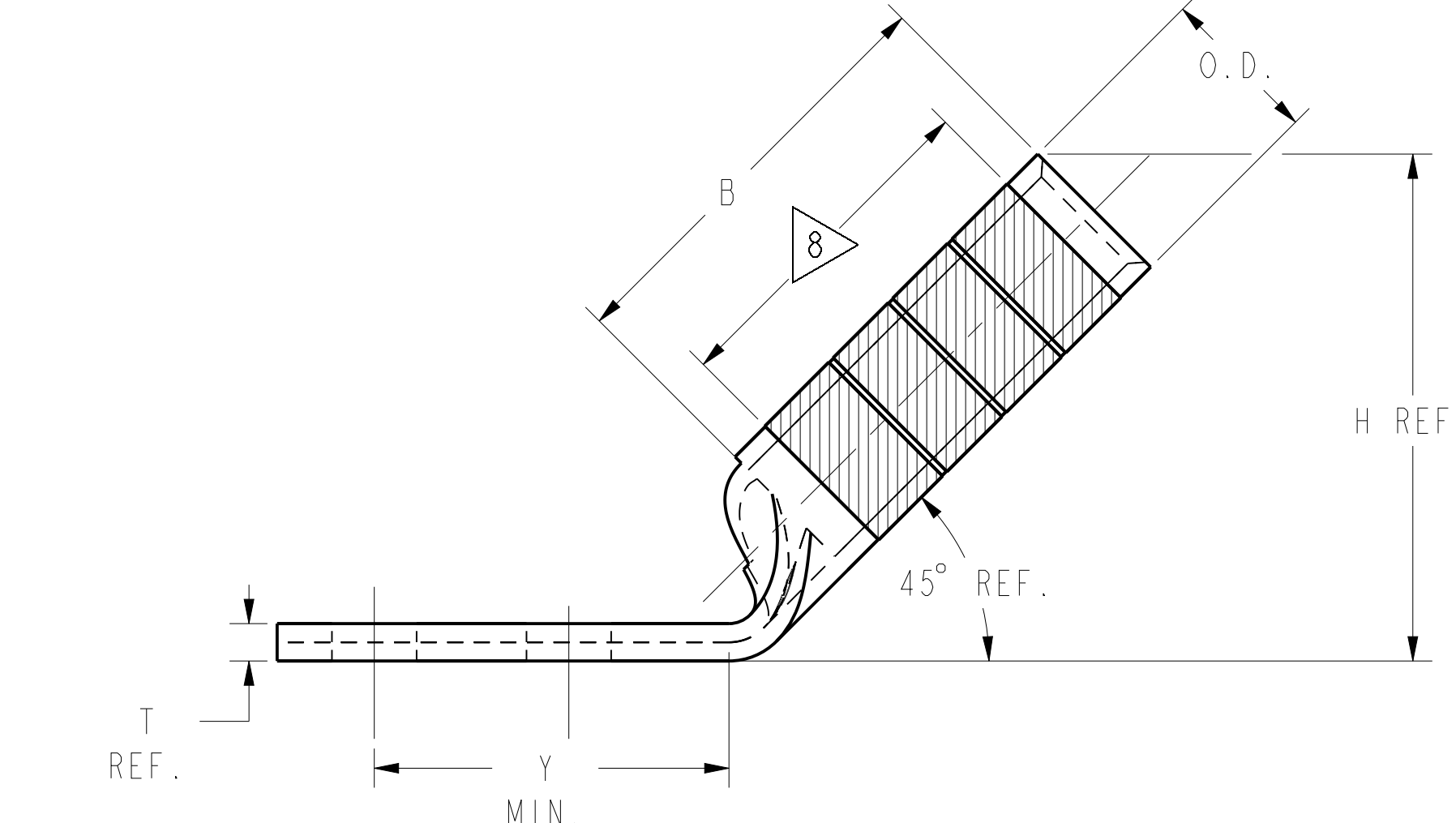
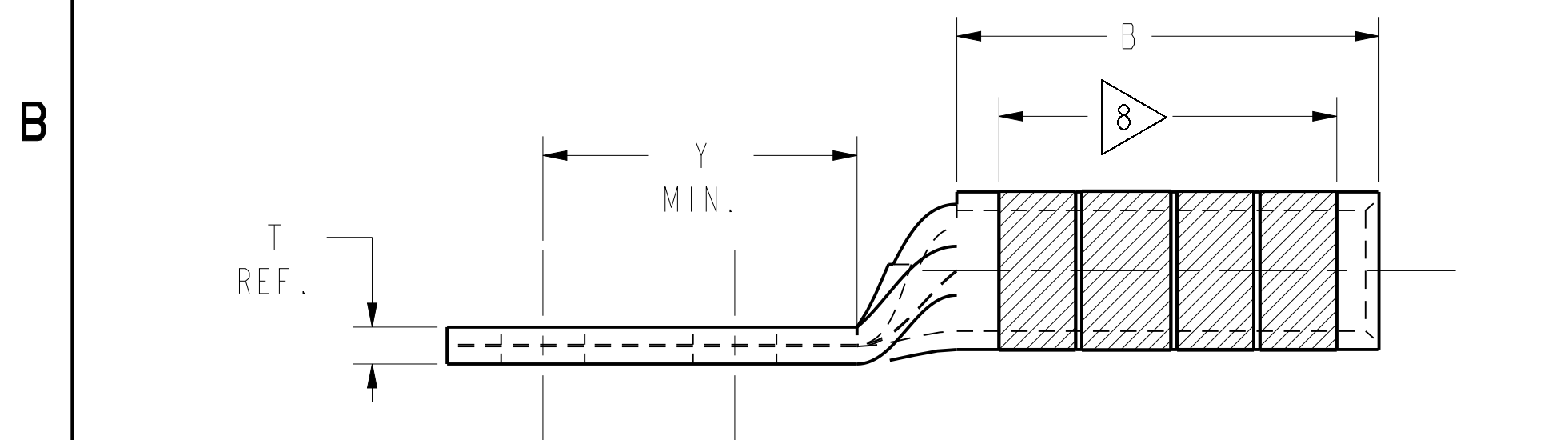
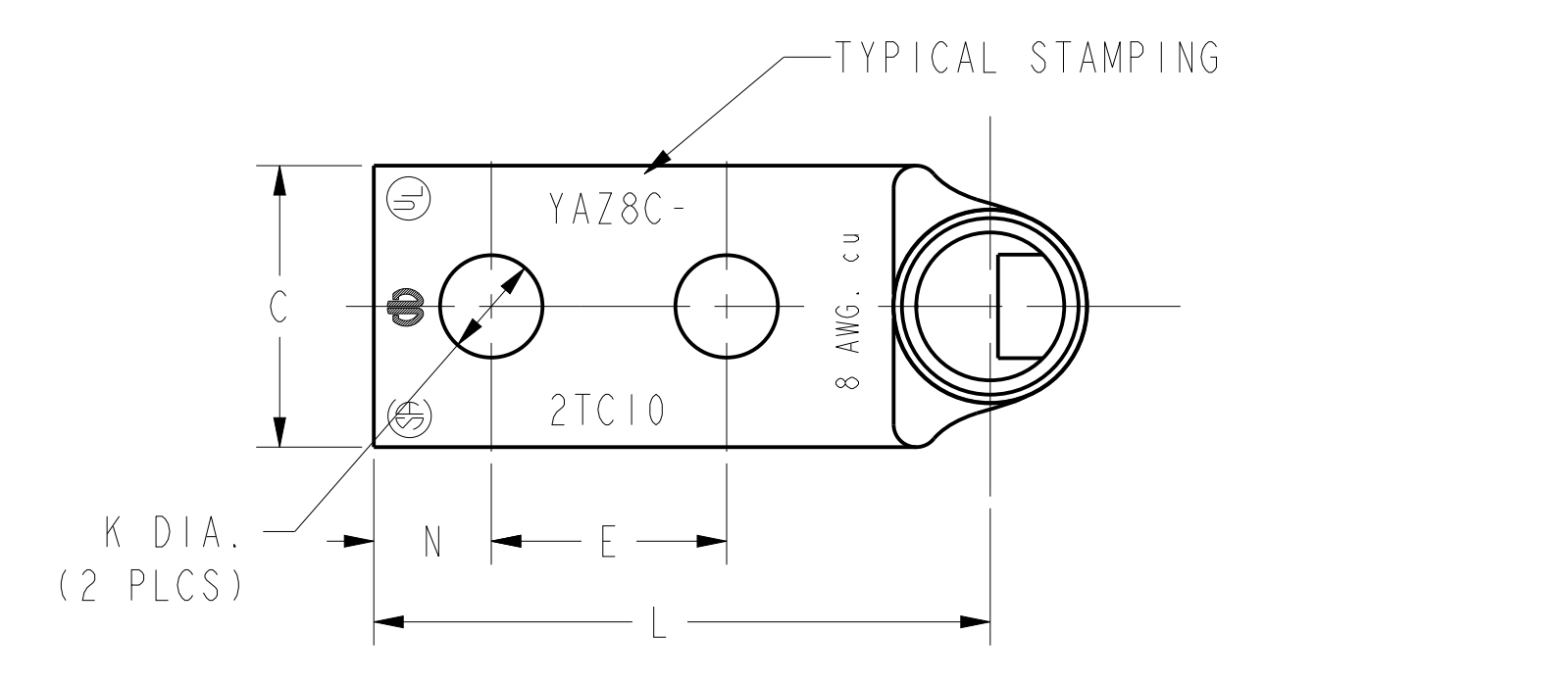
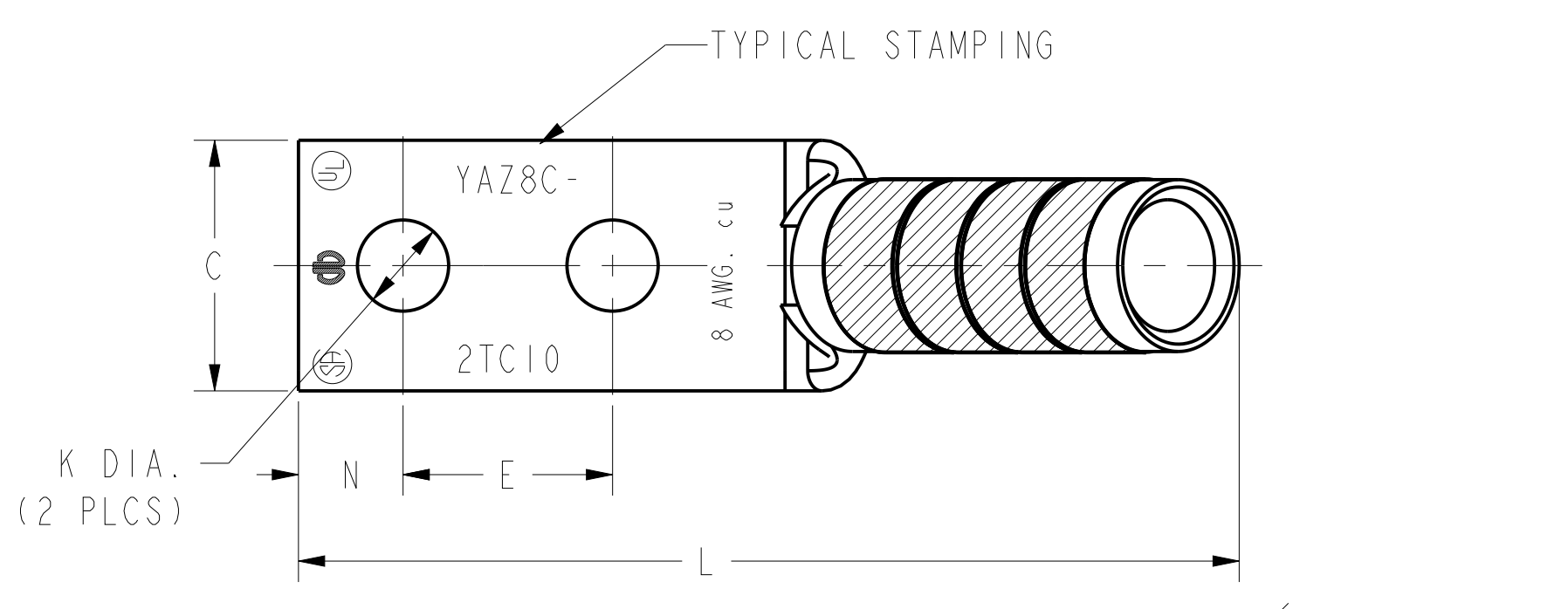
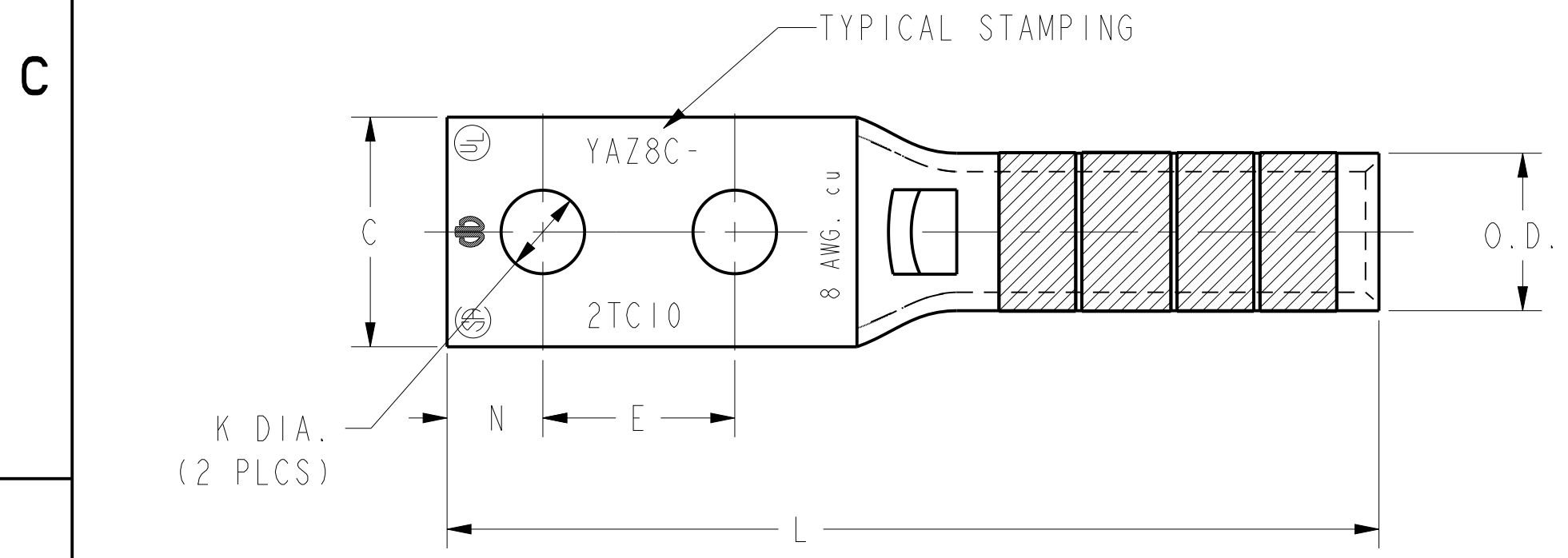


| REV. | DATE | DESCRIPTION | ECO | BY | C.H.K. |
|------|-------------------------|------------------------|-------|----|--------|
| D | 2019-07-31 01:00:00 EDT | UPDATED AS PER MARK UP | 51893 | SS | WP |

| CATALOG. NO. | COPPER CONDUCTOR | | BOLT SIZE | FIG. NO. | DIMENSIONS | | | | | | | | | | INSTALLATION TOOLING (# CRIMPS) | | | | | | | | | | | | |
|----------------|---|-----------|-----------|----------|------------|-----------|-----------|-----------|----------------|-----------|-----------|--------------|---------|----------|---------------------------------|------------|-------------|---------|------------------------------|---------------|-----------------------------|-----|-----|----------------------------|-------------------|--|--|
| | AWG (mm ²) | NAVY 5 | | | B ±.06 | C ±.04 | E ±.02 | H MAX. | K DIA. ±.02 | L ±.09 | N ±.04 | O.D. ±.01 | T REF. | Y MIN. | DIE INDEX | COLOR CODE | MECHANICAL | | | HYDRAULIC | | | | DIELESS (# CRIMPS) | WIRE STRIP LENGTH | | |
| | | | | | | | | | | | | | | | | | MD7-34R MD6 | OUR840 | Y8MRB-1 Y1MRTC(2) Y122CMR(2) | BC1500 Y500CT | Y750 Y35, BAT35 Y39, BAT750 | Y46 | Y45 | | | | |
| YAZ8C2TC1045 | #8 AWG [10mm ² CIs 2 & 5] | 23 | #10 [M5] | 2 | .75 [19] | .41 [10] | | .91 [23] | .21 [5] | 2.00 [51] | .25 [6] | .27 [7] | .08 [2] | .90 [23] | 49 | RED | 8 | 8 | RED (2) | 8 | 8 | 8 | 8 | MECHANICAL: MY29-11 (1) | 7/8 | | |
| YAZ8C2TC1090 | | | | 3 | | | | | | | | | | | | | | | | | | | | | | | |
| YAZ8C2TC10E2 | | | | 1 | | | | | | | | | | | | | | | | | | | | | | | |
| YAZ8C2TC10E245 | | | | 2 | .75 [19] | .91 [23] | | | | | | | | | | 1.03 [26] | | | | | | | | | | | |
| YAZ8C2TC10E290 | #8 AWG [10mm ² CIs 2 & 5] | 23 | #10 [M5] | 3 | .75 [19] | .41 [10] | | 1.00 [25] | .21 [5] | 1.50 [38] | .25 [6] | .27 [7] | .08 [2] | 49 | RED | 8 | 8 | RED (2) | 8 | 8 | 8 | 8 | | 7/8 | | | |



- NOTES:
1. MATERIAL: COPPER TUBING.
 2. FINISH: TIN PLATED
 3. CATALOG # PT6515 ADAPTOR IS REQUIRED TO USE "U" DIES IN Y45 SERIES TOOLS.
 4. CATALOG # PUADP-1 ADAPTOR IS REQUIRED TO USE "U" DIES IN Y46 SERIES TOOLS.
 5. NAVY CABLE SIZE MAY BE OMITTED ON SOME SIZES BECAUSE OF SPACE LIMITATIONS.
 6. PERMANENT DIE IN TOOLING.
 7. DIMENSIONS, METRIC WIRE, & METRIC BOLT SIZES IN BRACKETS [] ARE IN MILLIMETERS. DIMENSIONS ARE ROUNDED OFF TO THE NEAREST MILLIMETER, UNLESS OTHERWISE NOTED, AND ARE FOR REFERENCE ONLY.
 8. OVERLAP 2 CRIMPS AS NEEDED WITHIN THE LENGTH BETWEEN THE INK STAMPED CRIMPING AREA.
 9. THESE CATALOG NUMBERS CANNOT BE INSTALLED WITH U8CRT DIE.
 10. METRIC CONDUCTORS IN ACCORDANCE TO IEC 60228.

| | | | |
|---|--|----------------------------------|---------------------------------|
| TO ORDER BURNDY® PRODUCTS CALL | | HYLUG™ (TWO HOLE CODE) | |
| UNITED STATES 1-800-346-4175 (LONDONDERRY, NH) | | ITEM NO: N/A | CAT. NO: YAZ8C-2TC- (TABLE) |
| CANADA: 1-800-361-6975 (QUEBEC) 1-800-387-6487 (ALL OTHER PROVINCES) | | DRAWN BY: D. BOISVERT 11/10/98 | CHECKER: K. HENRY 12/03/98 |
| FOR PRODUCT INFO: http://www.burndy.com | | DSN APPVL: B. MACDONALD 12/02/98 | MFG APPVL: N/A |
| | | QA APPVL: S. GARY 11/30/98 | MKT APPVL: B. HARGROVE 11/25/98 |
| | | PROD FAM: -- | DRAWING NO: REV |
| | | PROJECT #: FPN1906074 | SIZE: SE211915 |
| | | DOCUMENT TYPE: Sales | D |
| | | REL LEVEL: Released | SHEET 2 OF 36 |

REV: PEO200

