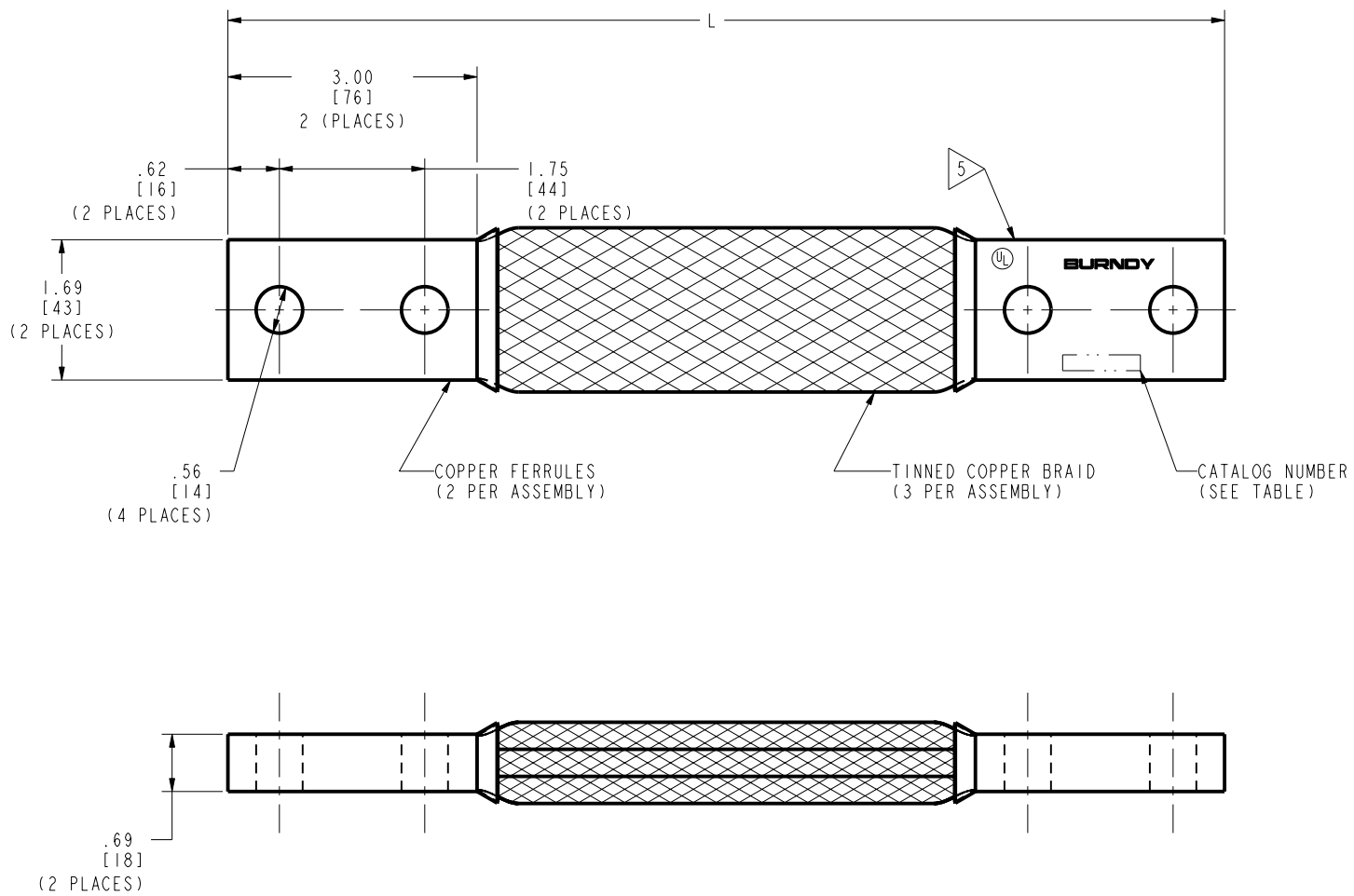


DRAWING NO.
SE212210-01

CATALOG NUMBER	ITEM NUMBER	L
B3G8N	26003273	8.00 [203]
B3G10N	30015305	10.00 [254]
B3G11N	50047714	11.00 [279]
B3G12N	332564	12.00 [305]
B3G14N	30015307	14.00 [356]
B3G15N	25018932	15.00 [381]
B3G16N	26003274	16.00 [406]
B3G18N	3320UV	18.00 [457]
B3G19N	25018933	19.00 [483]
B3G20N	26003275	20.00 [508]
B3G20D50N	332333	20.50 [521]
B3G21N	25018934	21.00 [533]
B3G24N	33207H	24.00 [610]
B3G30N	10007287	30.00 [762]
B3G48N	332237	48.00 [1219]
B3G72N	30015306	72.00 [1829]
B3G182N	10009868	182.00 [4623]

REV	DATE	DESCRIPTION	ECO	BY	C'H'K.
E	08/07/2014 04:00:00 AM	UPDATED AS PER MARKUP	37369	SV	MB



NOTES:

- APPROXIMATE AMP RATING: 960 INDOOR, 1150 OUTDOOR. THIS RATING MAY VARY WITH AMBIENT CONDITIONS, ORIENTATION OF THE BRAID AND OTHER SERVICE CONDITIONS.
- DIMENSIONS IN BRACKETS [] ARE IN MILLIMETERS ROUNDED OFF TO THE NEAREST MILLIMETER, UNLESS OTHERWISE SPECIFIED, AND ARE FOR REFERENCE ONLY.
- CAN BE ORDERED WITH PLATED FERRULES BY ADDING SUFFIX AS SHOWN BELOW:
 "NK" - FOR NICKEL PLATING
 "SV" - FOR SILVER PLATING
 "TN" - FOR TIN PLATING
 "W" - FOR HOT TIN DIPPED
- CAN BE ORDERED WITH UNDRILLED FERRULES BY ADDING SUFFIX "U".
- ALL SIZES ARE LISTED TO UL467 GROUNDING & BONDING EQUIPMENT STANDARDS. WITH THE EXCEPTION OF CATALOG NUMBERS WITH UNDRILLED FERRULES.

TO ORDER BURNDY® PRODUCTS CALL		BRAID, FLEXIBLE	
UNITED STATES 1-800-346-4175 (LONDONDERRY, NH)		ITEM NO: SEE TABLE	CAT. NO: B3G--N (TABLE)
CANADA: 1-800-361-6975 (QUEBEC) 1-800-387-6487 (ALL OTHER PROVINCES)		DRAWN BY: D BOISVERT 6/14/99	CHECKER: K HENRY 6/17/99
FOR PRODUCT INFO: http://www.burndy.com		DSN APPVL: W ZAHLMAN 6/17/99	MFG APPVL: L LEAVITT 6/17/99
		QA APPVL: C ACKERMAN 6/18/99	MKT APPVL: D HAMILTON 6/17/99
		PROJ #: --	SCALE: 3:4
		DOCUMENT TYPE: Sales	DRAWING NO: SE212210-01
		REL LEVEL: Released	REV: E

REV: PE0200