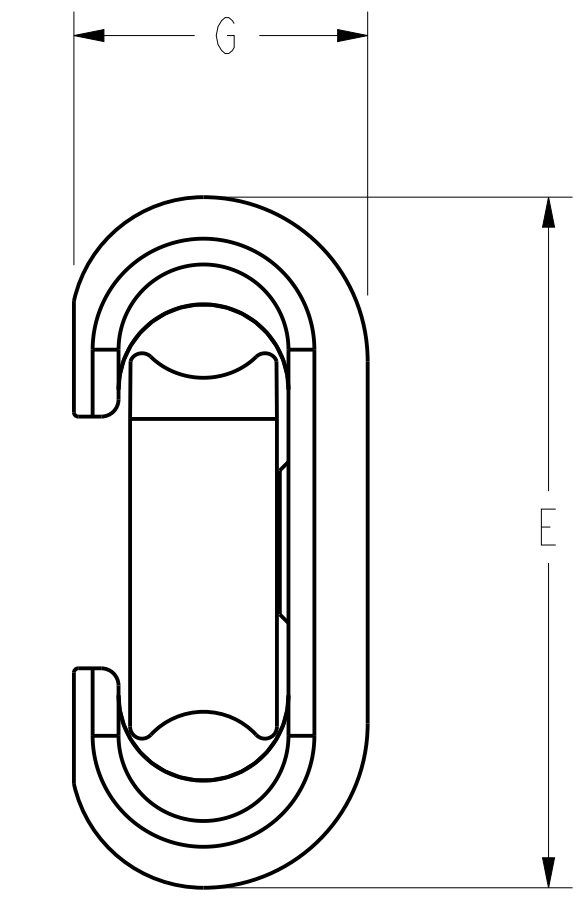
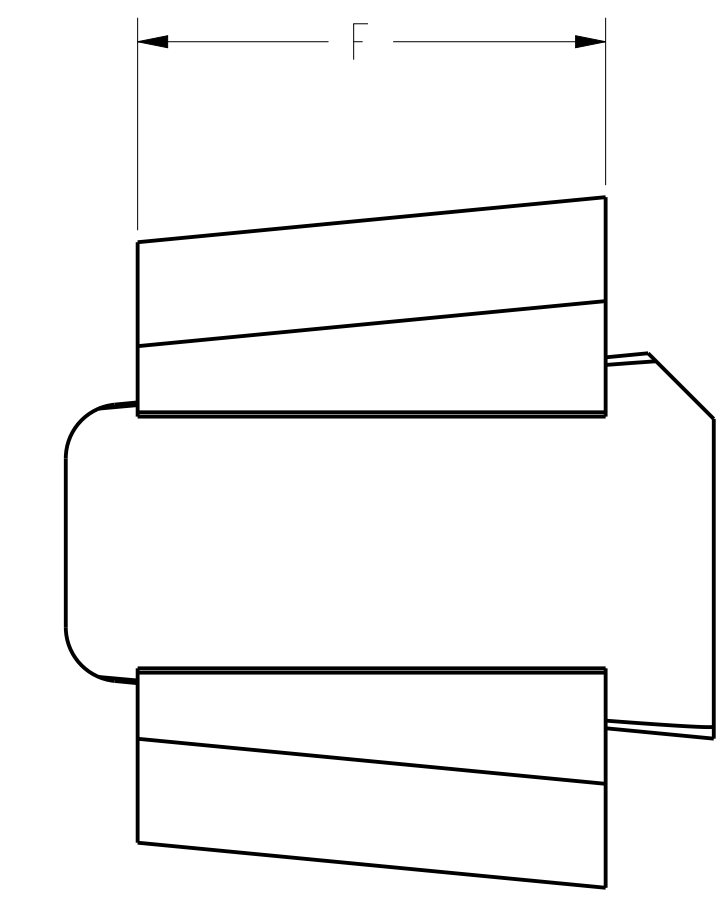
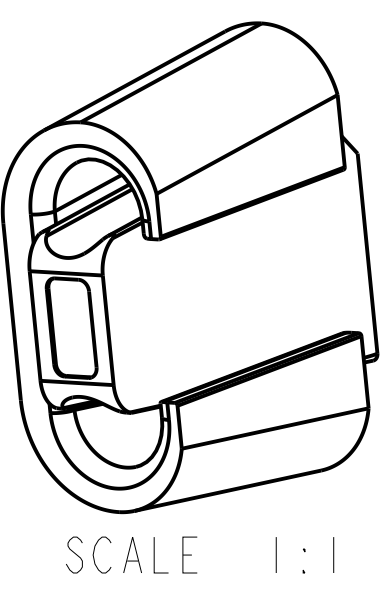


CATALOG NUMBER	ITEM NUMBER	DIMENSIONS			COPPER CONDUCTORS ACCOMODATE		TOOLING	INSTALLATION BOOSTER COLOR
		E	F	G	RUN	TAP		
WCR33C-1	10053141	1.65	1.26	.79	#6 STR./SOL., #4 STR./SOL.	#6 STR./SOL.	WTHRB-1S	RED
WCR32C-1	10053140	[42]	[32]	[20]	#4 STR./SOL., #2 STR./SOL.	#6 STR./SOL., #4 STR./SOL.	WTHRB-1S	RED
WCB2C2C	10011756				#2 STR./SOL., #1 SOL.	#2 STR./SOL.	WTHRB-1S	BLUE
6 WCB25C4C	10053481				1/0 STR.	#6 STR./SOL., #4 STR./SOL.	WTHRB-1S	BLUE
6 WCB25C1C	10053482				1/0 STR.	#2 STR./SOL., #1 SOL.	WTHRB-1S	BLUE
WCB25C25	10051839				1/0 STR.	1/0 STR.	WTHRB-1S	BLUE
WCB26C4C	26002135				2/0 STR.	#6 STR./SOL., #4 STR./SOL.	WTHRB-1S	BLUE
WCB26C1C	10051840				2/0 STR.	#2 STR./SOL., #1 SOL.	WTHRB-1S	BLUE
WCB26C26	10051939				2/0 STR.	1/0 STR., 2/0 STR.	WTHRB-1S	BLUE
6 WCB27C4C	10053483				3/0 STR.	#4 SOL.	WTHRB-1S	BLUE
6 WCB27C1C	10053484				3/0 STR.	#2 STR.	WTHRB-1S	BLUE
WCB27C26	10051841	2.40	1.63	1.02	3/0 STR.	1/0 STR., 2/0 STR.	WTHRB-1S	BLUE
WCB27C27	25020973	[61]	[41]	[26]	3/0 STR.	3/0 STR.	WTHRB-1S	BLUE
WCB28C4C	26002134				4/0 STR.	#6 STR./SOL., #4 STR./SOL.	WTHRB-1S	BLUE
6 WCB28C1C	10053485				4/0 STR.	#2 STR./SOL., #1 SOL.	WTHRB-1S	BLUE
6 WCB28C26	10053486				4/0 STR.	1/0 STR., 2/0 STR.	WTHRB-1S	BLUE
WCB28C28	25020971				4/0 STR.	4/0 STR.	WTHRB-1S	BLUE
WCB29C1C	25020839				250 Kcmil	#3 STR., #2 STR./SOL. #1 STR./SOL.	WTHRB-1S	BLUE
6 WCB29C25	10053487				5/8" Cu CLAD ROD	1/0 STR.	WTHRB-1S	BLUE
6 WCB29C26	10053488				250 Kcmil	1/0 STR., 2/0 STR.	WTHRB-1S	BLUE
WCB29C28	10051842				250 Kcmil, 5/8" Cu CLAD ROD	3/0 STR., 4/0 STR.	WTHRB-1S	BLUE
WCB29C29	10051843				250 Kcmil	250 Kcmil	WTHRB-1S	BLUE
WCB30C4C	10051844	2.81	2.00	1.30	300 Kcmil	#4 STR., #2 SOL.	WTHRB-1S	BLUE
WCB30C25	10051845	[71]	[51]	[33]	300 Kcmil	1/0 STR.	WTHRB-1S	BLUE
6 WCB30C27	10053489				300 Kcmil	3/0 STR.	WTHRB-1S	BLUE
6 WCB30C29	10053490	2.64	2.00	1.16	300 Kcmil	5/8" Cu CLAD ROD	WTHRB-1S	BLUE
WCB30C30	10051846	[67]	[51]	[29]	300 Kcmil	300 Kcmil	WTHRB-1S	BLUE
WCB31C5C	25020972				350 Kcmil, 3/4" Cu CLAD ROD	#6 STR., #5 STR. #4 SOL.	WTHRB-1S	BLUE
6 WCB31C4C	10053491				3/4" Cu CLAD ROD	#4 STR.	WTHRB-1S	BLUE
WCB31C2C	25020974	2.81	2.00	1.30	3/4" Cu CLAD ROD	#2 STR.	WTHRB-1S	BLUE
WCB31C26	25020976	[71]	[51]	[33]	350 Kcmil, 3/4" Cu CLAD ROD	2/0 STR.	WTHRB-1S	BLUE
6 WCB31C28	10053492				350 Kcmil, 3/4" Cu CLAD ROD	4/0 STR.	WTHRB-1S	BLUE
6 WCB31C31	10053493				350 Kcmil	350 Kcmil	WTHRB-1S	BLUE
6 WCB33C30	10053494	--	--	--	400 Kcmil, 450 Kcmil	250 Kcmil, 300 Kcmil	WTHRB-1S	BLUE
WCB34C2C	10051847				500 Kcmil	#2 STR.	WTHRB-1S	BLUE
6 WCB34C26	10053495	2.81	2.00	1.30	500 Kcmil	2/0 STR.	WTHRB-1S	BLUE
WCB34C28	25020975	[71]	[51]	[33]	500 Kcmil	4/0 STR.	WTHRB-1S	BLUE
6 WCB34C29	10053496	--	--	--	500 Kcmil	250 Kcmil, 5/8" Cu CLAD ROD	WTHRB-1S	BLUE
WCY34C34	10051848	3.65	3.00	1.45	500 Kcmil	500 Kcmil	WTHY-1S	YELLOW
WCB36C36	10051849	[93]	[76]	[37]	600 Kcmil	500 Kcmil, 600 Kcmil	WTHY-1S	YELLOW



- NOTES:
1. MATERIAL: HIGH COPPER ALLOY.
 2. CONDUCTOR GROOVES PREFILLED WITH PENETROX™ E.
 3. CONNECTOR IS INDIVIDUALLY PACKAGED IN POLY BAGS AND INCLUDES WEDGE AND C-BODY. (BOOSTER NOT INCLUDED)
 4. LISTED TO "UL 467", GROUNDING AND BONDING EQUIPMENT, SUITABLE FOR DIRECT BURIAL.
 5. LISTED TO "UL 486A", WIRE CONNECTORS AND SOLDERING LUGS FOR USE WITH COPPER CONDUCTOR.
- 6 THESE ITEMS WILL BE AVAILABLE IN THE THIRD QUARTER OF 2005.

TO ORDER BURNDY® PRODUCTS CALL		COPPER WEJTAP™	
UNITED STATES 1-800-346-4175 (LONDONDERRY, NH)		ITEM NO: 10002964	BURNDY
CANADA: 1-800-361-6975 (QUEBEC) 1-800-387-6487 (ALL OTHER PROVINCES)		CAT. NO: DRAWASMS	
FOR PRODUCT INFO: http://www.burndy.com		DRAWN BY: A. MONTMINY 09/08/99	
		CHECKER: -- --	
		DSN APPVL: K. MELLO 11/05/99	SCALE: 3:2
		MFG APPVL: E. BROMBERG 11/22/99	PROD. FAM: WEJTAP
		QA APPVL: J. BRODEUR 11/15/99	DRAWING NO: SE212313-01
		MKT APPVL: D. HAMILTON 11/05/99	REV: C
		PROJECT #: --	SHEET 1 OF 1
		DOCUMENT TYPE: Sales	
		REL LEVEL: Released	

REV: PEO200