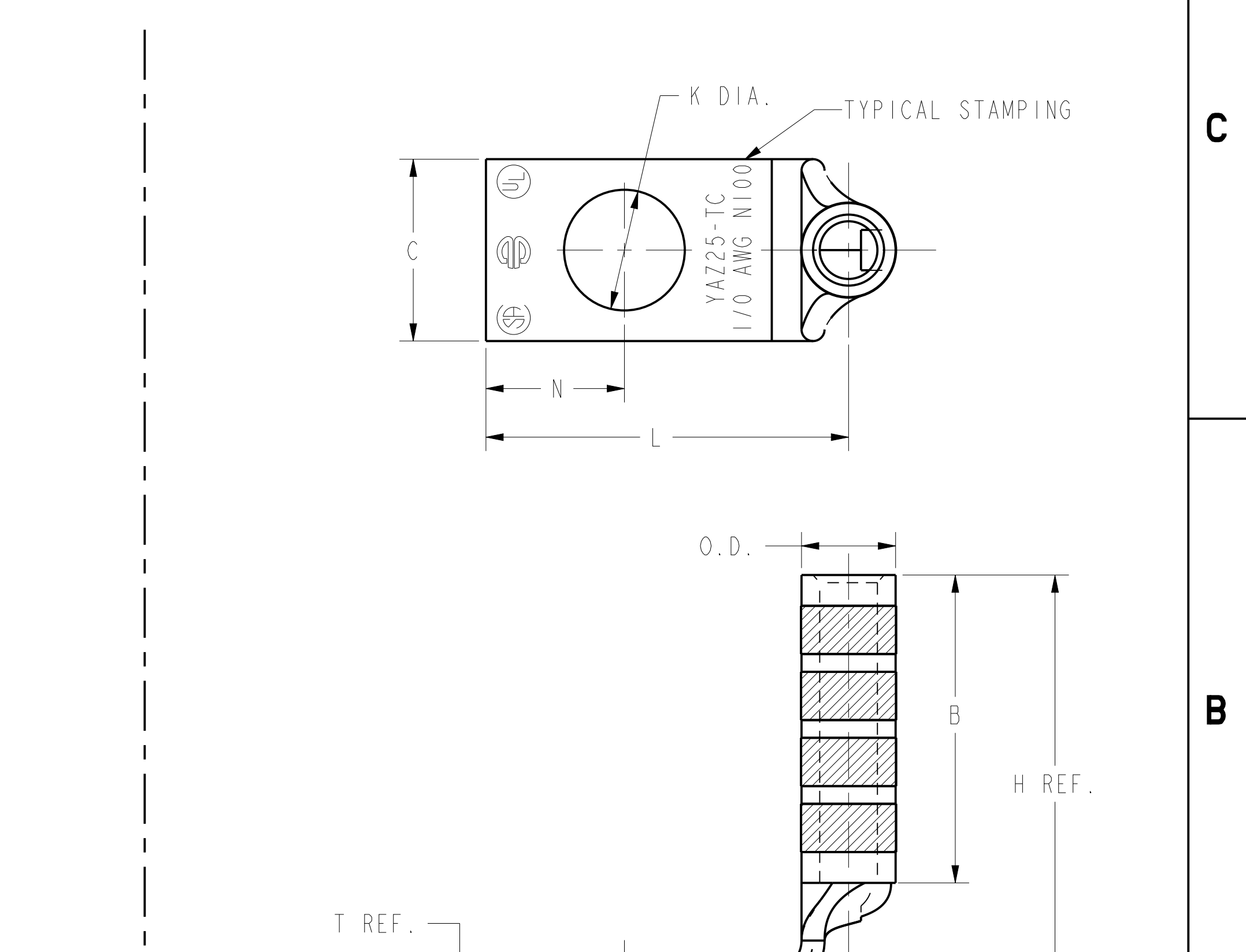
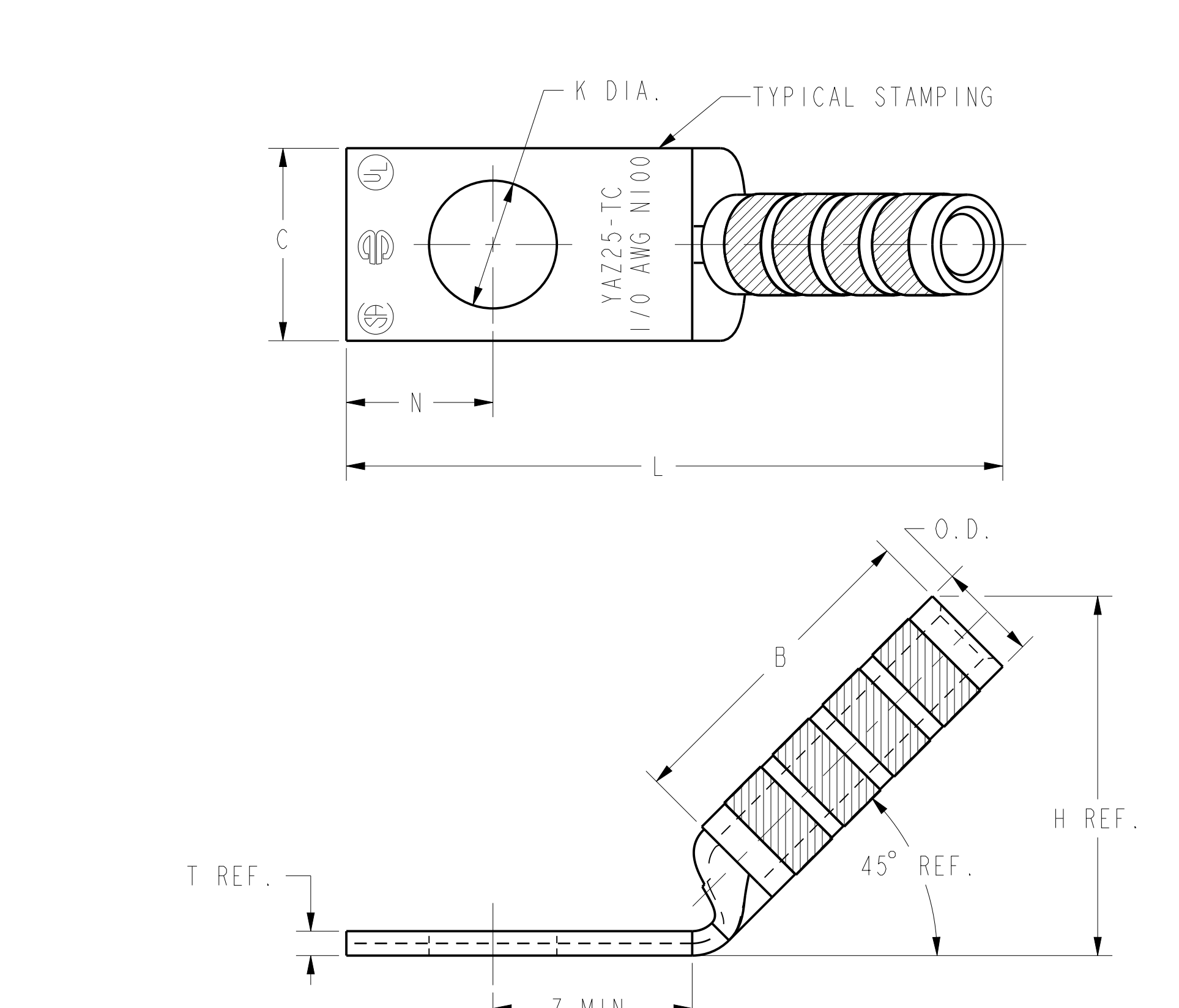
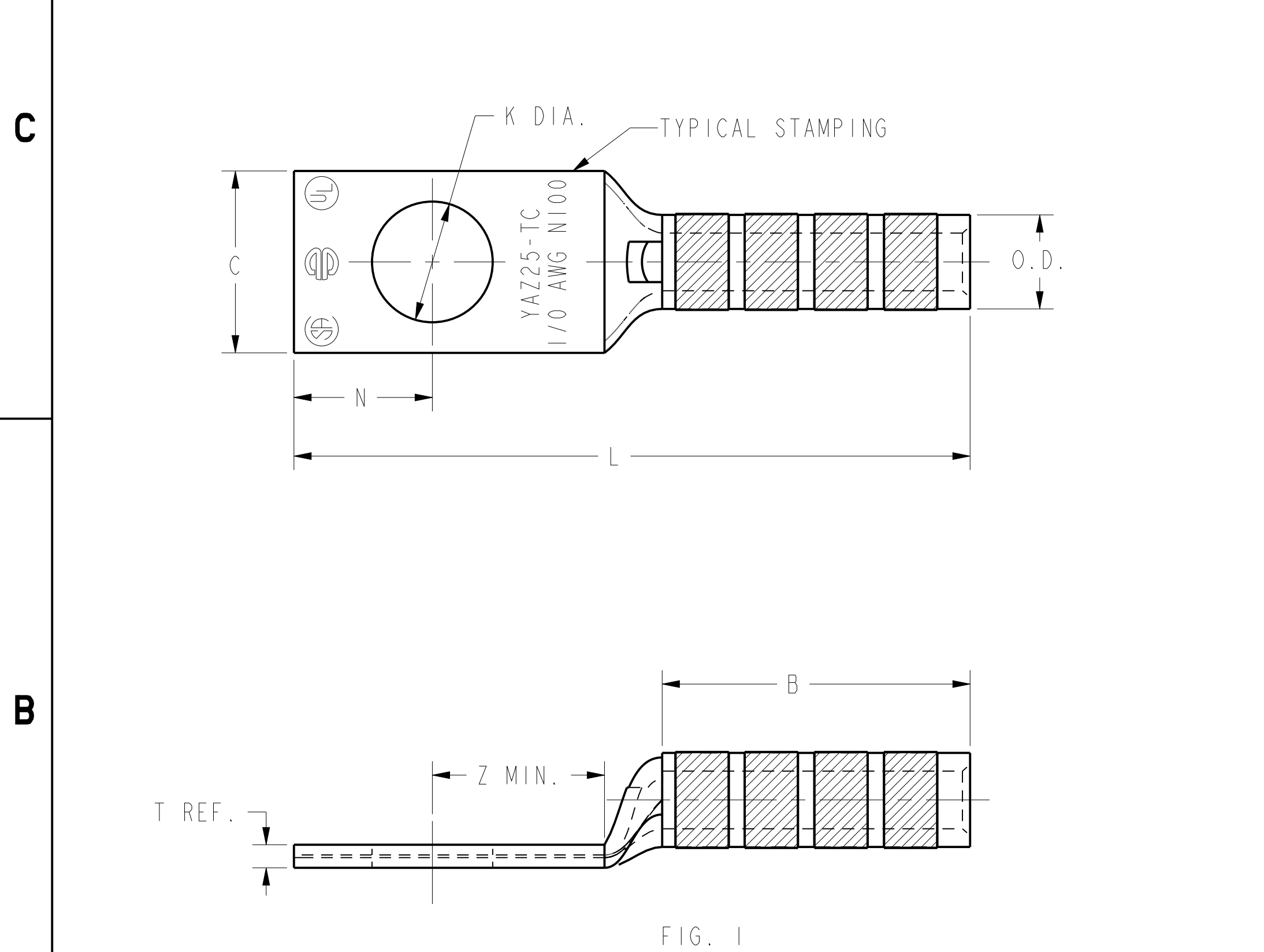


| REV | DATE | DESCRIPTION | ECO | BY | C.H.K. |
|-----|------------------------|-------------|-------|----|--------|
| B | 05/08/2017 00:00:00 AM | LOGO UPDATE | 46692 | BK | MB |

| CATALOG NO. | CONDUCTOR | | BOLT SIZE | FIG. NO. | DIMENSIONS | | | | | | | | INSTALLATION TOOLING (# CRIMPS) | | | | | | | | | | | |
|-------------|------------------|------|-----------|----------|------------|----------|-----------|-------------|----------|---------|-----------|-----------|---------------------------------|-----------------|-----------------|-------------|-----------------|----------------|------------------|------------------|-----------------------------|--|--------------------|-------------------|
| | CODE (AWG) | NAVY | | | B ±.06 | C ±.04 | H REF. | K DIA. ±.02 | L ±.09 | N ±.04 | O.D. ±.01 | T REF. | Z MIN. | DIE INDEX | COLOR CODE | MECHANICAL | | | HYDRAULIC | | | | DIELESS (# CRIMPS) | WIRE STRIP LENGTH |
| | | | | | | | | | | | | | | | | MD7-34R MD6 | OUR840 | Y2MR | BCT500 Y500CT | Y34A | Y750 Y35, BAT35 Y39, BAT750 | Y46 | | |
| YAZ25TC14 | 1/0 AWG. [-----] | 100 | 1.38 [35] | .75 [19] | -- | | 2.40 [61] | | .51 [12] | .12 [3] | | 12 OR 348 | PINK | W25VT W25RT (4) | W25VT W25RT (4) | ----- | W25VT W25RT (4) | A25R A2CAB (2) | U25RT U2CABT (2) | U25RT U2CABT (2) | U25RT U2CABT (2) | MECHANICAL: MY29-11(1) HYDRAULIC Y644, Y644M BAT644M Y644MBH, Y1000 Y1000BH (1) | 1-7/16 | |
| YAZ25TC1445 | | | | | 1.63 [41] | .27 [7] | 2.17 [55] | .31 [8] | | | .33 [8] | | | | | | | | | | | | | |
| YAZ25TC1490 | | | | | 1.96 [50] | | 1.00 [25] | | | | | | | | | | | | | | | | | |
| YAZ25TC38 | | | | | -- | | 2.59 [66] | | | | | | | | | | | | | | | | | |
| YAZ25TC3845 | | | | | 1.63 [41] | .40 [10] | 2.36 [60] | .41 [10] | | | .42 [11] | | | | | | | | | | | | | |
| YAZ25TC3890 | 1/0 AWG. [-----] | 100 | 1.38 [35] | .75 [19] | 1.96 [50] | | 1.19 [30] | | .51 [12] | .12 [3] | | 12 OR 348 | PINK | W25VT W25RT (4) | W25VT W25RT (4) | ----- | W25VT W25RT (4) | A25R A2CAB (2) | U25RT U2CABT (2) | U25RT U2CABT (2) | U25RT U2CABT (2) | | | |



- NOTES:
1. MATERIAL: COPPER TUBING.
 2. FINISH: TIN PLATED
 3. CATALOG # PT6515 ADAPTOR IS REQUIRED TO USE "U" DIES IN Y45 SERIES TOOLS.
 4. CATALOG # PUADP-1 ADAPTOR IS REQUIRED TO USE "U" DIES IN Y46 SERIES TOOLS.
 5. NAVY CABLE SIZE MAY BE OMITTED ON SOME SIZES BECAUSE OF SPACE LIMITATIONS.
 6. PERMANENT DIE IN TOOLING.
 7. DIMENSIONS, METRIC WIRE, & METRIC BOLT SIZES IN BRACKETS [] ARE IN MILLIMETERS. DIMENSIONS ARE ROUNDED OFF TO THE NEAREST MILLIMETER, UNLESS OTHERWISE NOTED, AND ARE FOR REFERENCE ONLY.
 8. FOR USE BY CUSTOMERS THAT HAVE THIS HYPRESS™. NO NEW Y34A HYPRESS™ TOOLS ARE BEING PROCESSED.

| | | | |
|---|--|---------------------------------|----------------|
| TO ORDER BURNDY® PRODUCTS CALL | | HYLUG™ (ONE HOLE CODE) | |
| UNITED STATES 1-800-346-4175 (LONDONDERRY, NH) | | ITEM NO: NA | DRAWING NO |
| CANADA: 1-800-361-6975 (QUEBEC) 1-800-387-6487 (ALL OTHER PROVINCES) | | CAT. NO: YAZ25-TC- (TABLE) | REV |
| FOR PRODUCT INFO: http://www.burndy.com | | DRAWN BY: D.BOISVERT 02/03/2000 | SCALE: NTS |
| | | CHECKER: K.MCCARTHY 04/05/2000 | SIZE |
| | | DSN APPVL: J.MICHAUD 05/04/2000 | SE212356 |
| | | MFG APPVL: N/A | SHEET 15 OF 40 |
| | | QA APPVL: S.BROWN | |
| | | MKT APPVL: N/A | |
| | | PROD FAM: -- | |
| | | PROJECT #: -- | |
| | | DOCUMENT TYPE: Sales | |
| | | REL LEVEL: Released | |

REV: PEO200