
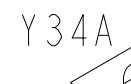



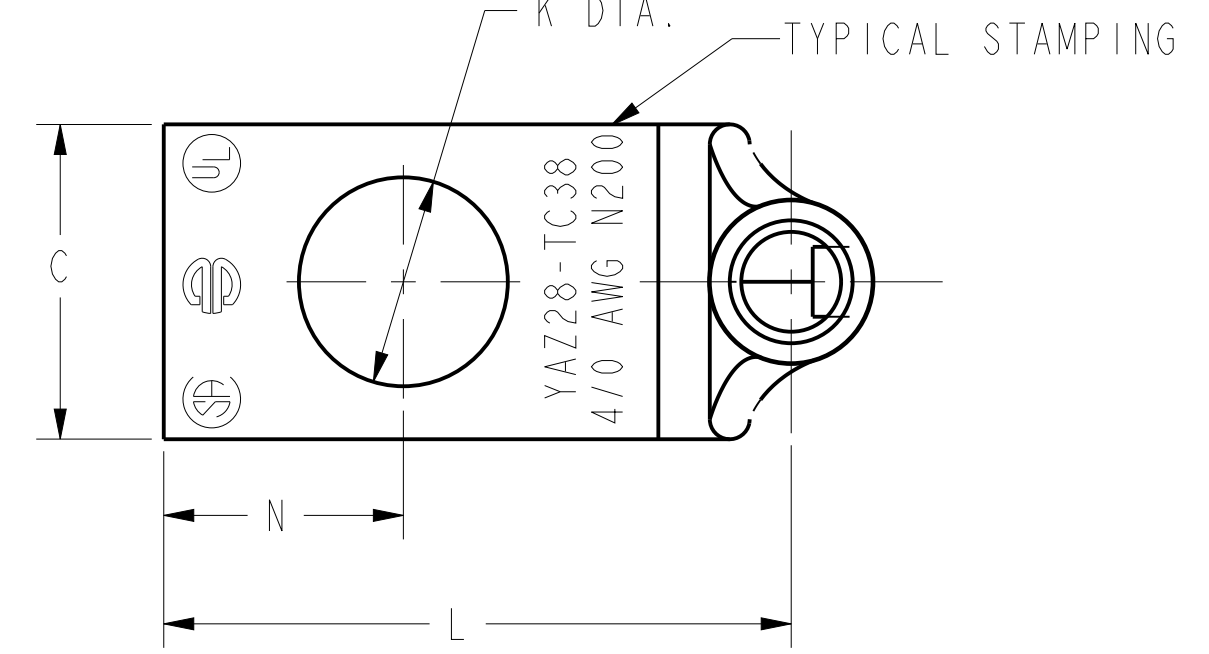
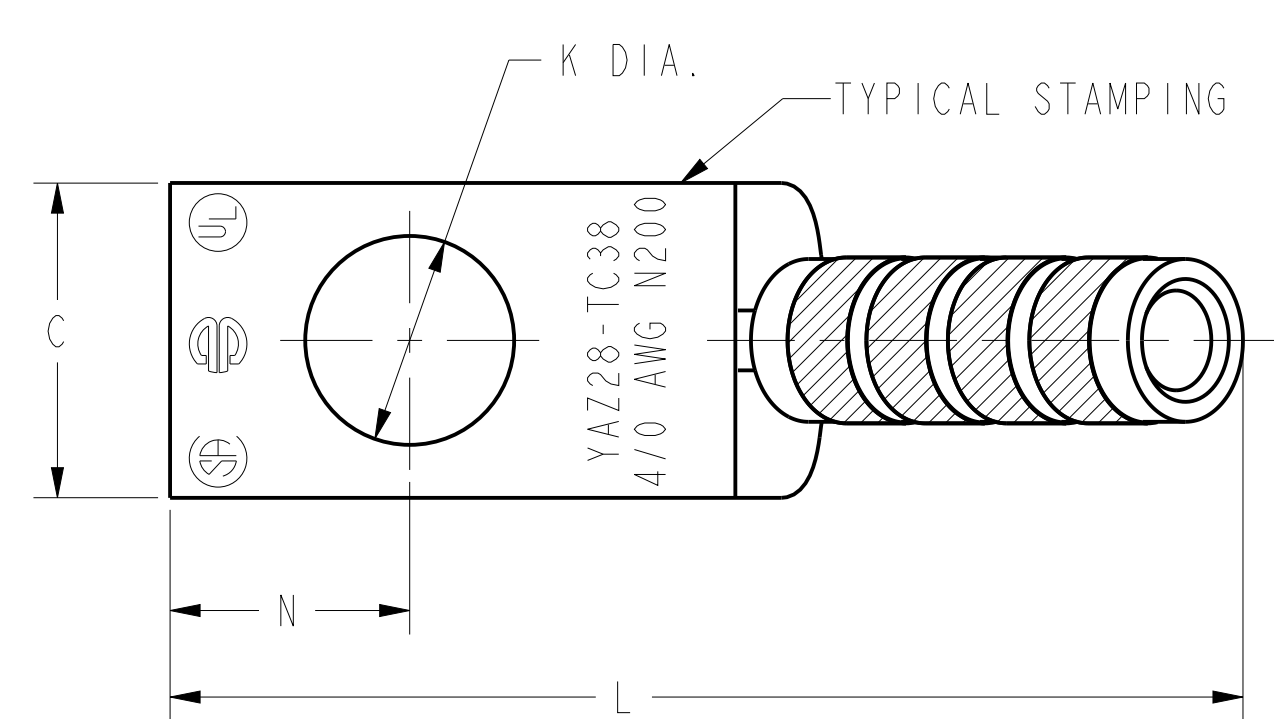
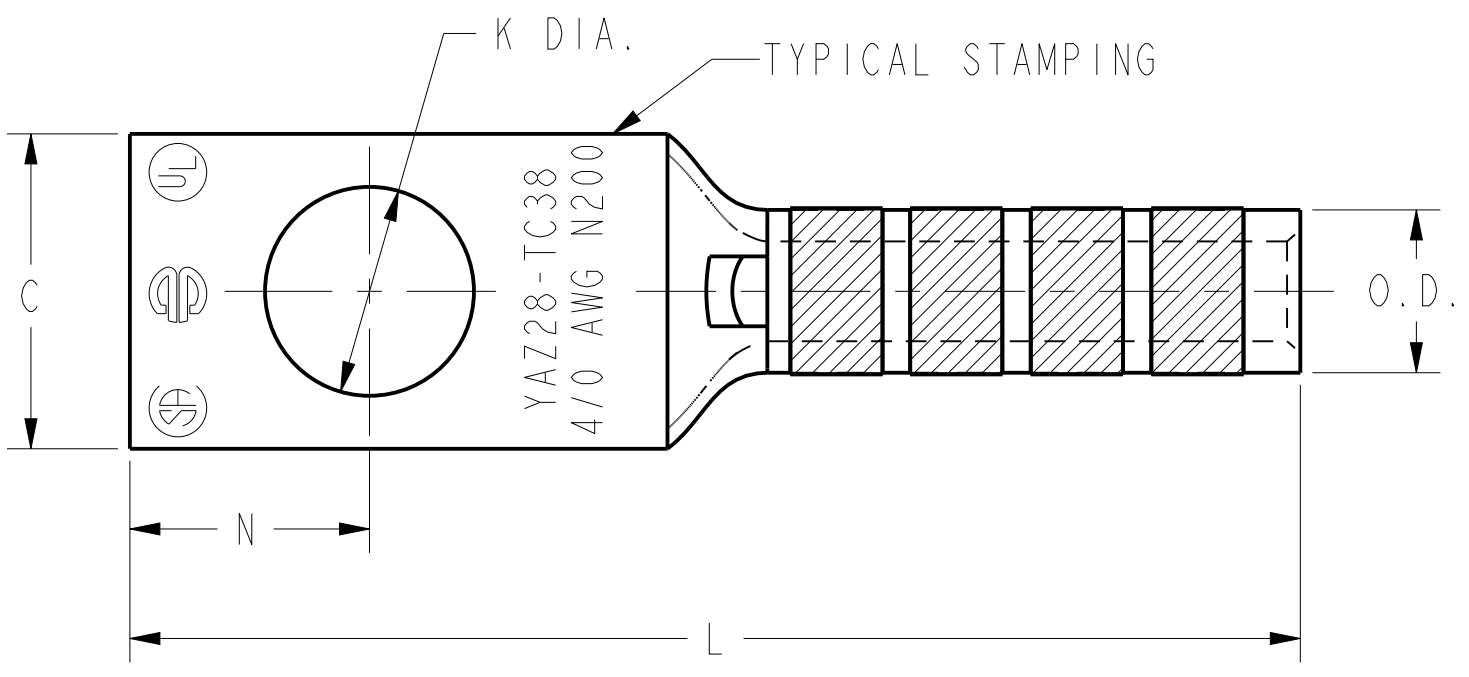


REV	DATE	DESCRIPTION	ECO	BY	C.H.K.
B	05/08/2017 00:00:00 AM	LOGO UPDATE	46692	BK	MB

CATALOG NO.	CONDUCTOR		BOLT SIZE	FIG. NO.	DIMENSIONS								INSTALLATION TOOLING (# CRIMPS)										DIELESS (# CRIMPS)	WIRE STRIP LENGTH				
	CODE (AWG)	NAVY 			B ±.08	C ±.04	H REF.	K DIA. ±.02	L ±.12	N ±.04	O.D. ±.01	T REF.	Z MIN.	DIE INDEX	COLOR CODE	MECHANICAL		HYDRAULIC										
																MD7-34R MD6	OUR840	BCT500 Y500CT	Y34A 	Y750 Y35, BAT35 Y39, BAT750	Y46 	Y45 			Y48B 	Y60B		
YAZ28TC38	4/0 AWG. [-----]	200	3/8 [M10]	1	1.62 [41]	1.02 [26]	--	.40 [10]	2.95 [75]	.41 [10]	.69 [18]	.14 [4]	.42 [11]	15	PURPLE	W28VT W28RT (4)	W28VT W28RT (4)	W28VT W28RT (4)	A28R (2)	U28RT (2)	U28RT (2)	U28RT (2)	U28RT (2)	C28R (2)	L28RT (1)	MECHANICAL: MY29-11(1) HYDRAULIC Y644, Y644M BAT644M Y644MBH, Y1000 Y1000BH (1)	1-11/16	
YAZ28TC3845				2	2.02 [51]	2.66 [68]	2.36 [60]		3.20 [81]					2.91 [74]	.53 [13]	15	PURPLE	W28VT W28RT (4)	W28VT W28RT (4)	W28VT W28RT (4)	A28R (2)	U28RT (2)	U28RT (2)	U28RT (2)	C28R (2)			L28RT (1)
YAZ28TC3890				3	2.36 [60]	1.29 [33]	1.54 [39]		.55 [14]					15	PURPLE	W28VT W28RT (4)	W28VT W28RT (4)	W28VT W28RT (4)	A28R (2)	U28RT (2)	U28RT (2)	U28RT (2)	C28R (2)	L28RT (1)				
YAZ28TC12	4/0 AWG. [-----]	200	1/2 [M12]	1	1.62 [41]	1.02 [26]	--	.52 [13]	3.20 [81]	.53 [13]	.69 [18]	.14 [4]	.55 [14]	15	PURPLE	W28VT W28RT (4)	W28VT W28RT (4)	W28VT W28RT (4)	A28R (2)	U28RT (2)	U28RT (2)	U28RT (2)	C28R (2)	L28RT (1)	MECHANICAL: MY29-11(1) HYDRAULIC Y644, Y644M BAT644M Y644MBH, Y1000 Y1000BH (1)	1-11/16		
YAZ28TC1245				2	2.02 [51]	2.66 [68]	2.36 [60]		3.20 [81]					2.91 [74]	.53 [13]	15	PURPLE	W28VT W28RT (4)	W28VT W28RT (4)	W28VT W28RT (4)	A28R (2)	U28RT (2)	U28RT (2)	U28RT (2)			C28R (2)	L28RT (1)
YAZ28TC1290				3	2.36 [60]	1.29 [33]	1.54 [39]		.55 [14]					15	PURPLE	W28VT W28RT (4)	W28VT W28RT (4)	W28VT W28RT (4)	A28R (2)	U28RT (2)	U28RT (2)	U28RT (2)	C28R (2)	L28RT (1)				

C



B

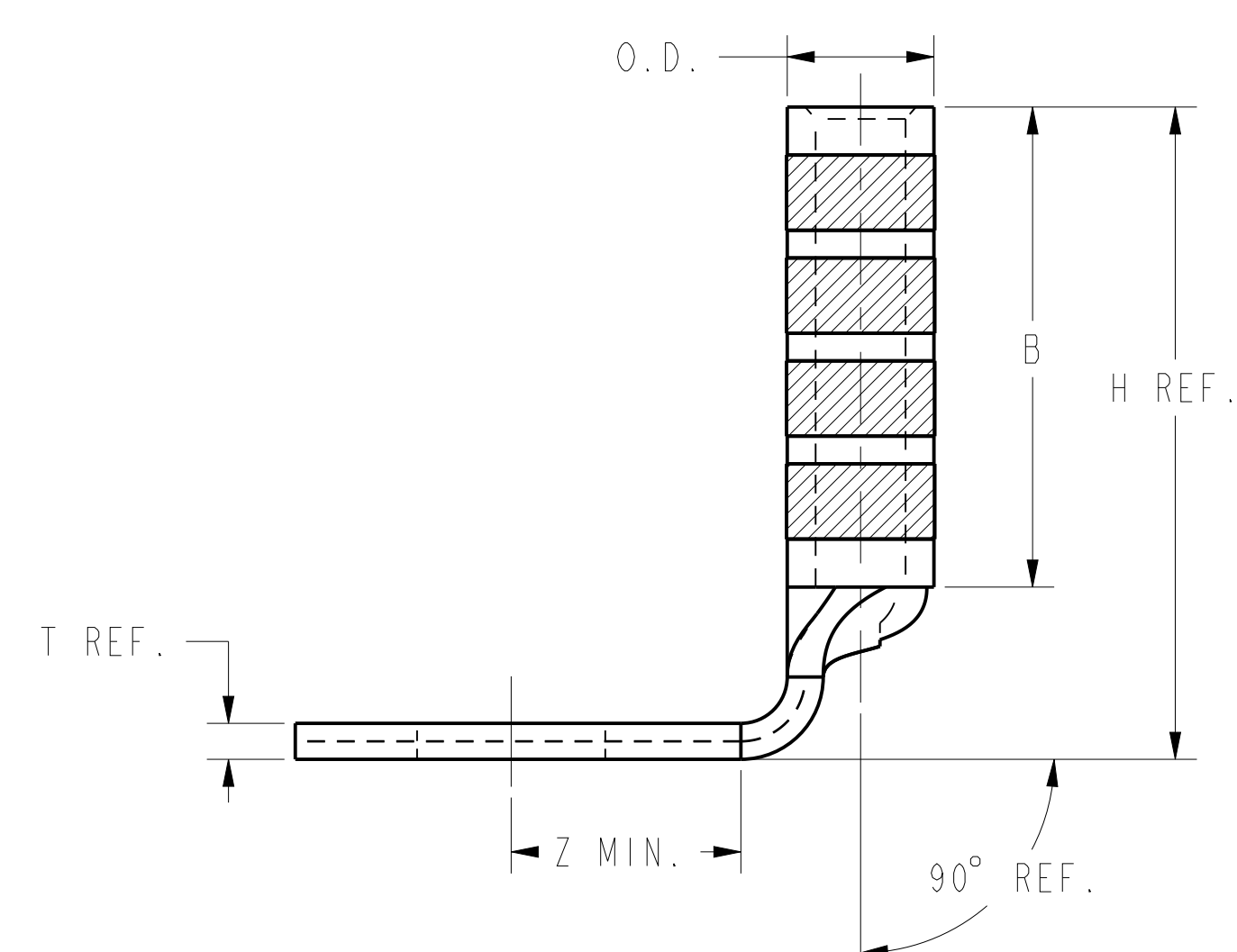
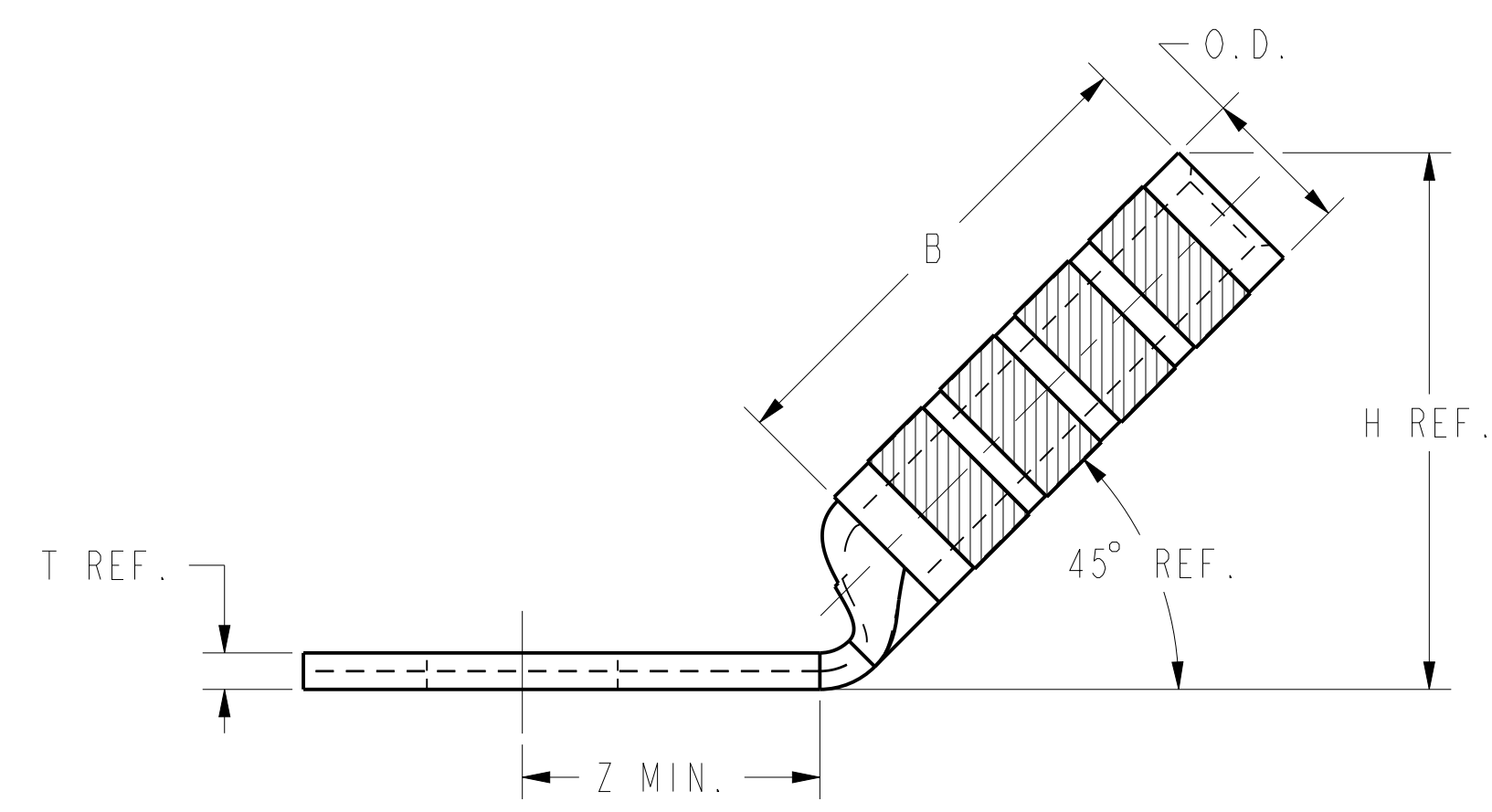
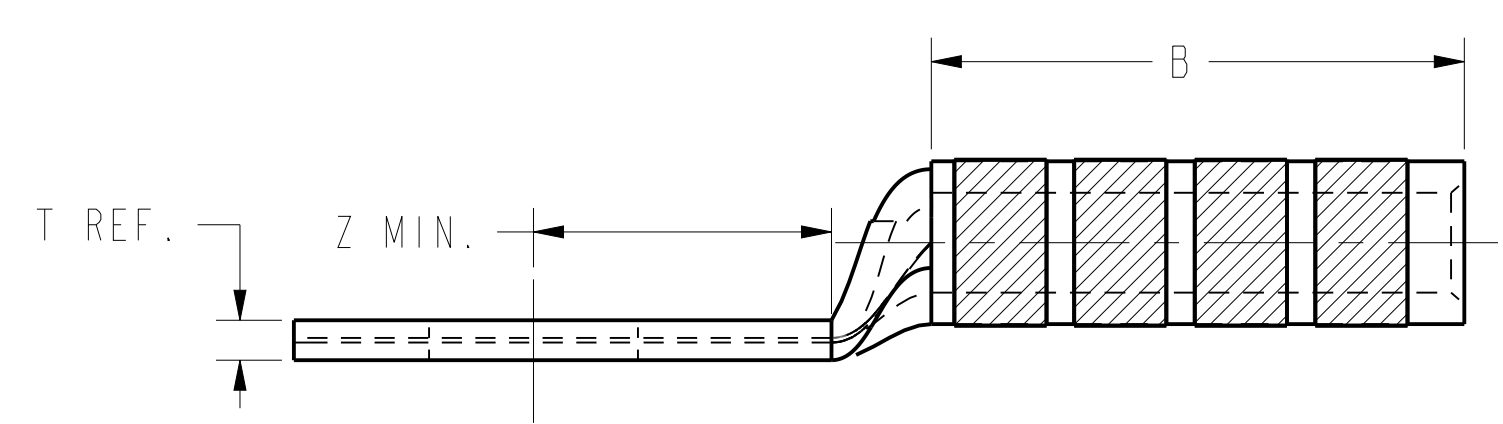


FIG. 1

FIG. 2

FIG. 3

- NOTES:
1. MATERIAL: COPPER TUBING.
 2. FINISH: TIN PLATED
 3. CATALOG # PT6515 ADAPTOR IS REQUIRED TO USE "U" DIES IN Y45 SERIES TOOLS.
 4. CATALOG # PUADP-1 ADAPTOR IS REQUIRED TO USE "U" DIES IN Y46 SERIES TOOLS.
 5. NAVY CABLE SIZE MAY BE OMITTED ON SOME SIZES BECAUSE OF SPACE LIMITATIONS.
 6. FOR USE BY CUSTOMERS THAT HAVE THIS HYPRESS™. NO NEW Y34A HYPRESS™ TOOLS ARE BEING PROCESSED.
 7. DIMENSIONS, METRIC WIRE, & METRIC BOLT SIZES IN BRACKETS [] ARE IN MILLIMETERS. DIMENSIONS ARE ROUNDED OFF TO THE NEAREST MILLIMETER, UNLESS OTHERWISE NOTED, AND ARE FOR REFERENCE ONLY.
 8. OVERLAPPING CRIMPS ARE REQUIRED ON THESE SIZES.

TO ORDER BURNDY® PRODUCTS CALL		HYLUG™ (ONE HOLE CODE)	
UNITED STATES 1-800-346-4175 (LONDONDERRY, NH)		ITEM NO: NA	DRAWING NO
CANADA: 1-800-361-6975 (QUEBEC) 1-800-387-6487 (ALL OTHER PROVINCES)		CAT. NO: YAZ28-TC- (TABLE)	REV
FOR PRODUCT INFO: http://www.burndy.com		DRAWN BY: D. BOISVERT 02/03/2000	SIZE
		CHECKER: K. MCCARTHY 04/05/2000	D
		DSN APPVL: J. MICHAUD 05/04/2000	SE212356
		MFG APPVL: N/A	SHEET 20 OF 40
		QA APPVL: S. BROWN	B
		MKT APPVL: N/A	
		SCALE: NTS	
		REL LEVEL: Released	

REV: PE0200