
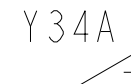

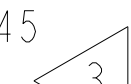
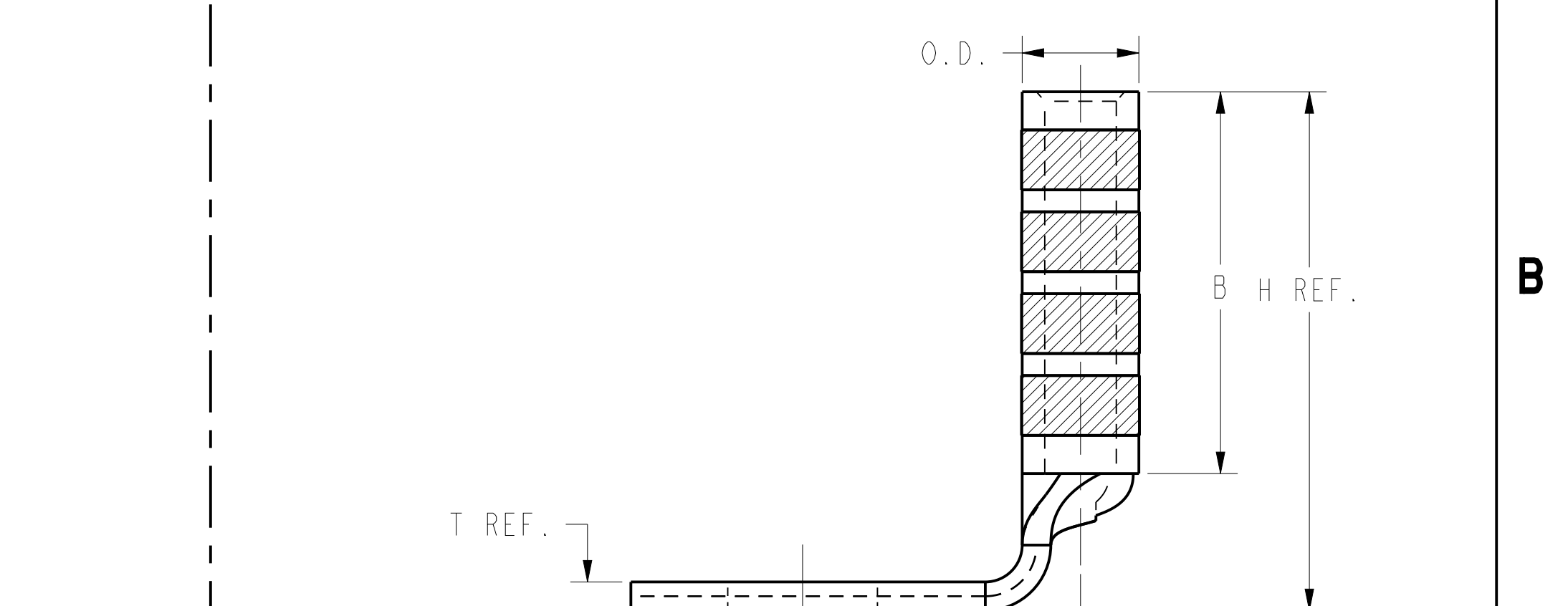
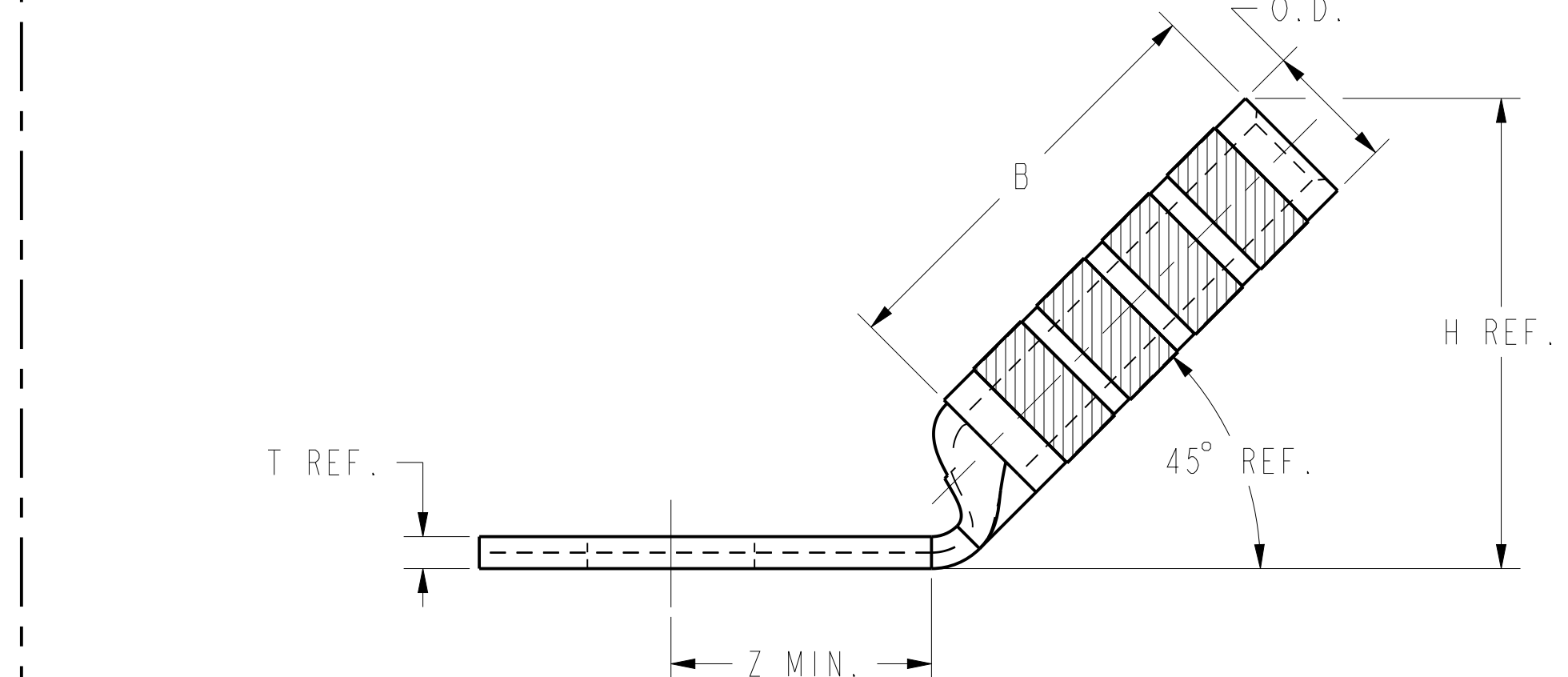
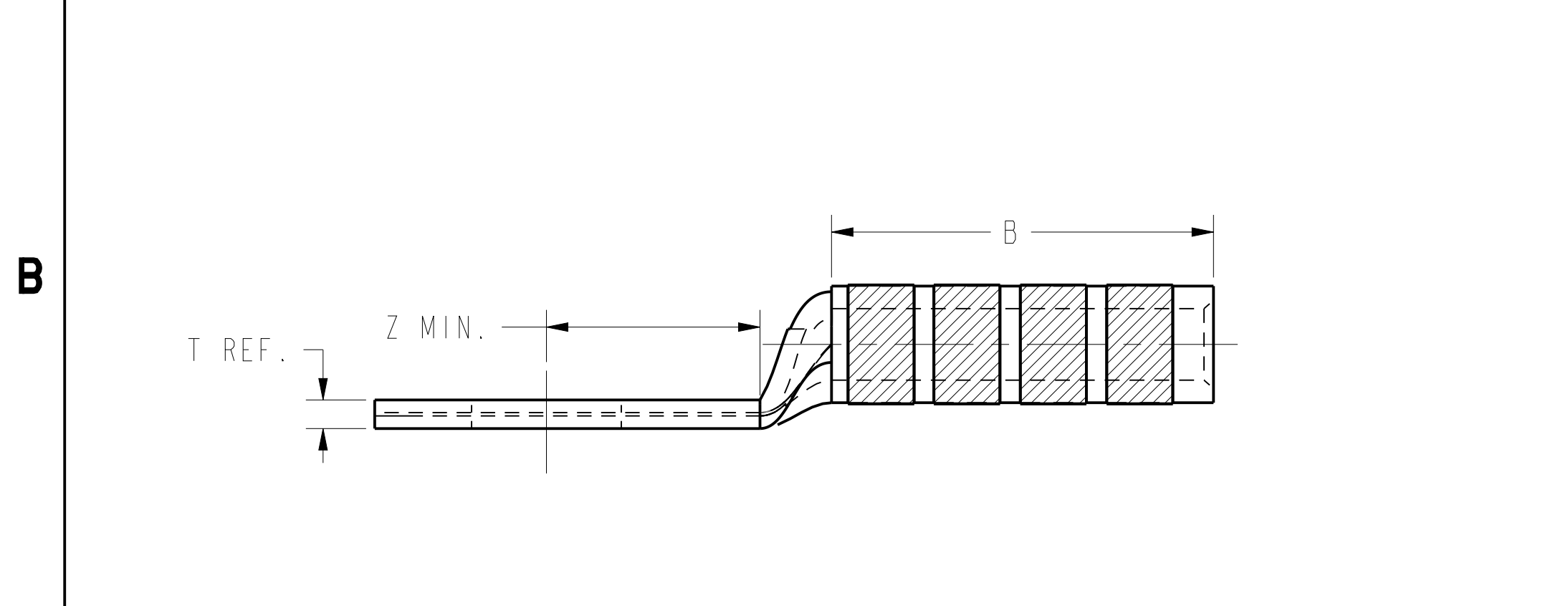
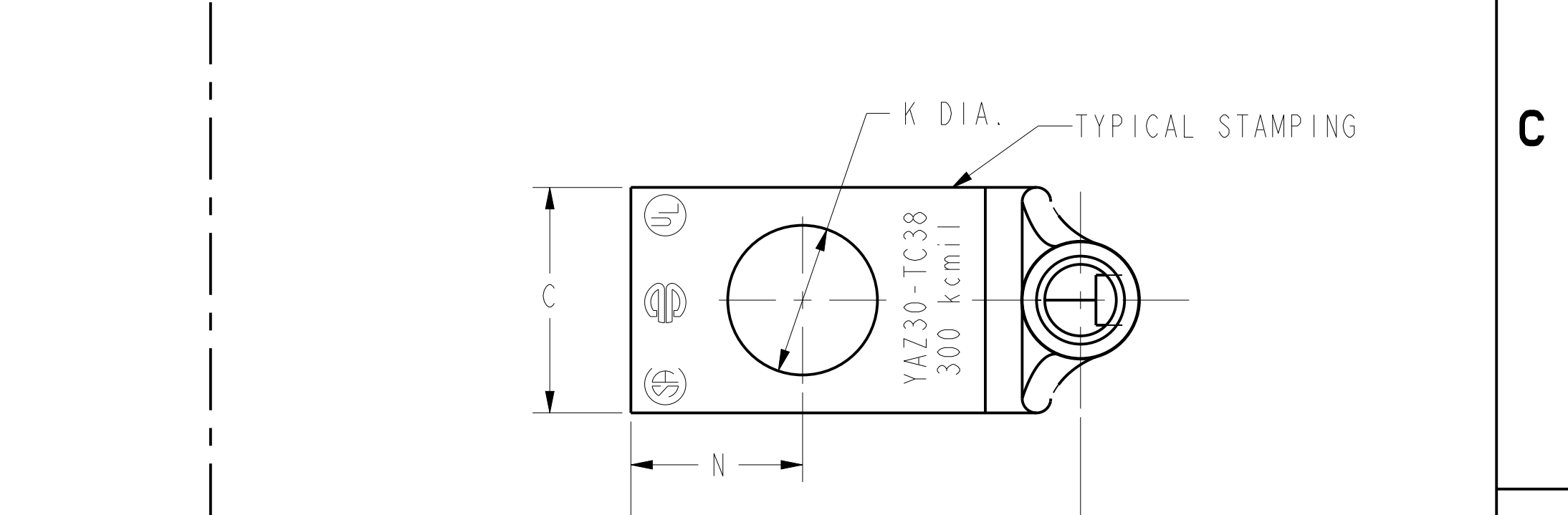
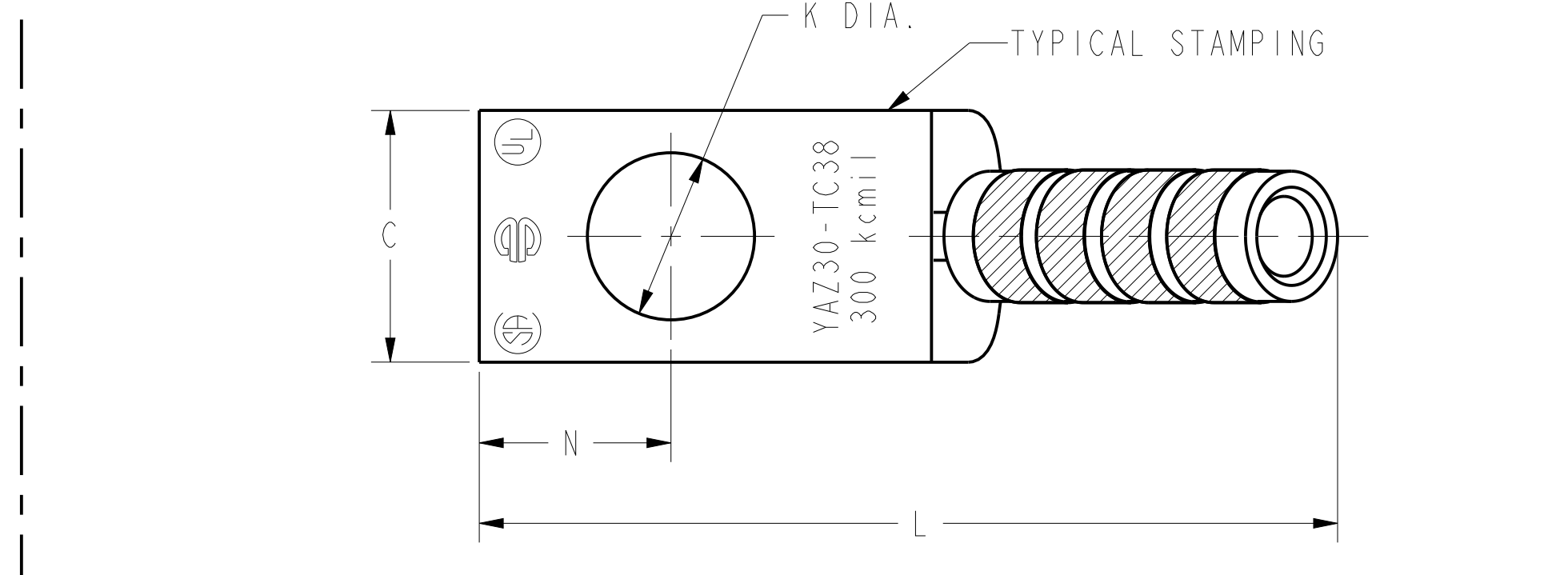
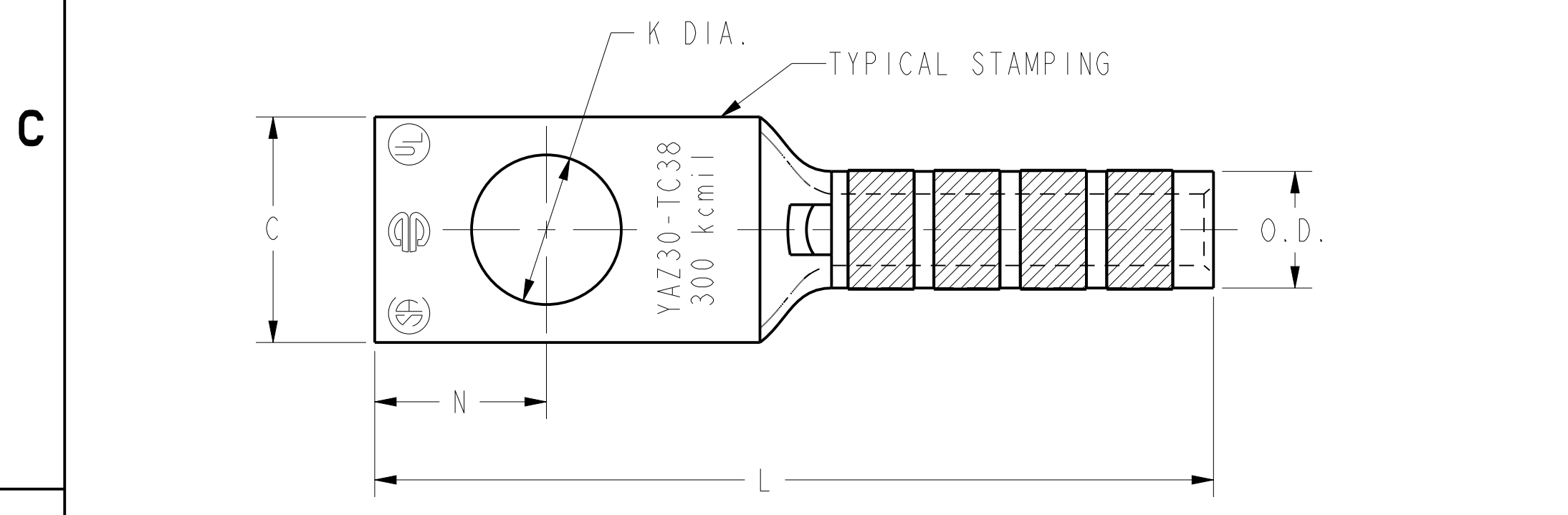
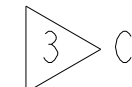
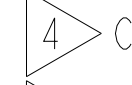
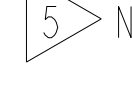
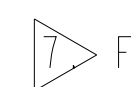


REV	DATE	DESCRIPTION	ECO	BY	C.H.K.
B	05/08/2017 00:00:00 AM	LOGO UPDATE	46692	BK	MB

CATALOG NO.	CONDUCTOR		BOLT SIZE	FIG. NO.	DIMENSIONS								INSTALLATION TOOLING (# CRIMPS)													
	CODE (AWG)	NAVY 			B ±.08	C ±.04	H REF.	K DIA. ±.02	L ±.12	N ±.04	O.D. ±.01	T REF.	Z MIN.	DIE INDEX	COLOR CODE	MECHANICAL		HYDRAULIC						DIELESS (# CRIMPS)	WIRE STRIP LENGTH	
																MD7-34R	BCT500 Y500CT	Y34A 	Y750 Y35, BAT35 Y39, BAT750	Y46 	Y45 	Y48B	Y60B			
YAZ30TC38	300 kcmil [150mm <sup>2</sup> STR]	300		1	2.00 [51]	1.20 [30]	--		3.41 [87]		.81 [21]	.16 [4]		17 OR 298	WHITE	W30RT (4)	W30RT (4)	A28R A30R (4)	U30RT U28ART (4)	U30RT U28ART (4)	U30RT U28ART (4)	C30R (1) C28AR (1)	L30RT (1)	HYDRAULIC Y644, Y644M BAT644M Y644MBH, Y1000 Y1000BH (1)	2-1/16	
YAZ30TC3845				2			2.44 [62]	.40 [10]	3.04 [77]	.41 [10]																
YAZ30TC3890				3			2.86 [73]		1.36 [35]																	
YAZ30TC12				1			--		3.66 [93]																	
YAZ30TC1245			1/2 [M12]	2			2.44 [62]	.52 [13]	3.29 [84]	.53 [13]																
YAZ30TC1290	300 kcmil [150mm <sup>2</sup> STR]	300		3	2.00 [51]	1.20 [30]	2.86 [73]		1.61 [41]		.81 [21]	.16 [4]		17 OR 298	WHITE	W30RT (4)	W30RT (4)	A28R A30R (4)	U30RT U28ART (4)	U30RT U28ART (4)	U30RT U28ART (4)	C30R (1) C28AR (1)	L30RT (1)			2-1/16



NOTES:

- MATERIAL: COPPER TUBING.
- FINISH: TIN PLATED
-  CATALOG # PT6515 ADAPTOR IS REQUIRED TO USE "U" DIES IN Y45 SERIES TOOLS.
-  CATALOG # PUADP-1 ADAPTOR IS REQUIRED TO USE "U" DIES IN Y46 SERIES TOOLS.
-  NAVY CABLE SIZE MAY BE OMITTED ON SOME SIZES BECAUSE OF SPACE LIMITATIONS.
- DIMENSIONS, METRIC WIRE, & METRIC BOLT SIZES IN BRACKETS [ ] ARE IN MILLIMETERS. DIMENSIONS ARE ROUNDED OFF TO THE NEAREST MILLIMETER, UNLESS OTHERWISE NOTED, AND ARE FOR REFERENCE ONLY.
-  FOR USE BY CUSTOMERS THAT HAVE THIS HYPRESS™. NO NEW Y34A HYPRESS™ TOOLS ARE BEING PROCESSED.

TO ORDER BURNDY® PRODUCTS CALL		HYLUG™ (ONE HOLE CODE)	
UNITED STATES 1-800-346-4175 (LONDONDERRY, NH)		ITEM NO: NA	CAT. NO: YAZ30-TC- (TABLE)
CANADA: 1-800-361-6975 (QUEBEC) 1-800-387-6487 (ALL OTHER PROVINCES)		DRAWN BY: D. BOISVERT 02/03/2000	CHECKER: K. MCCARTHY 04/05/2000
FOR PRODUCT INFO: <a href="http://www.burndy.com">http://www.burndy.com</a>		DSN APPVL: J.MICHAUD 05/04/2000	MFG APPVL: N/A
		QA APPVL: S.BROWN	MKT APPVL: N/A
		PROD FAM: --	DRAWING NO: REV
		PROJECT #: --	SIZE: D
		DOCUMENT TYPE: Sales	SE212356
		REL LEVEL: Released	SHEET 22 OF 40