

REV	DATE	DESCRIPTION	ECO	BY	C.H.K.
D	05/08/2017 00:00:00 AM	LOGO UPDATE	46692	BK	MB

CATALOG NO.	CONDUCTOR		BOLT SIZE	FIG. NO.	DIMENSIONS								INSTALLATION TOOLING (# CRIMPS)									
	CODE (AWG)	NAVY			B	C	H REF.	K DIA. ±.02	L ±.15	N ±.06	O.D. ±.01	T REF.	Z MIN.	DIE INDEX	COLOR CODE	HYDRAULIC					DIELESS (# CRIMPS)	WIRE STRIP LENGTH
																Y750 Y35, BAT35 Y39, BAT750	Y46 4	Y45 3	Y48B	Y60B		
YAZ36TC38	600 kcmil [300mm ² STR.]	--	3/8 [M10]	1	2.69 [68]	1.74 [44]	--	.40 [10]	4.54 [115]	.50 [13]	1.19 [30]	.26 [6]	.52 [13]	22 OR 472	GREEN	U36RT U32ART (4)	U36RT U32ART (4)	U36RT U32ART (4)	C36R C32AR (2)	L36RT L32ART (2)	HYDRAULIC Y644, Y644M BAT644M Y644MBH, Y1000 Y1000BH (1)	2-3/4
YAZ36TC3845				2	3.40 [86]	4.13 [105]																
YAZ36TC3890				3	3.99 [101]	1.80 [46]																
YAZ36TC12	1/2 [M12]	1	--	4.60 [117]	.53 [13]	1.19 [30]	.26 [6]	.55 [14]	22 OR 472	GREEN	U36RT U32ART (4)	U36RT U32ART (4)	U36RT U32ART (4)	C36R C32AR (2)	L36RT L32ART (2)	2-3/4						
YAZ36TC1245		2	3.40 [86]	4.19 [106]																		
YAZ36TC1290		3	3.99 [101]	1.86 [47]																		

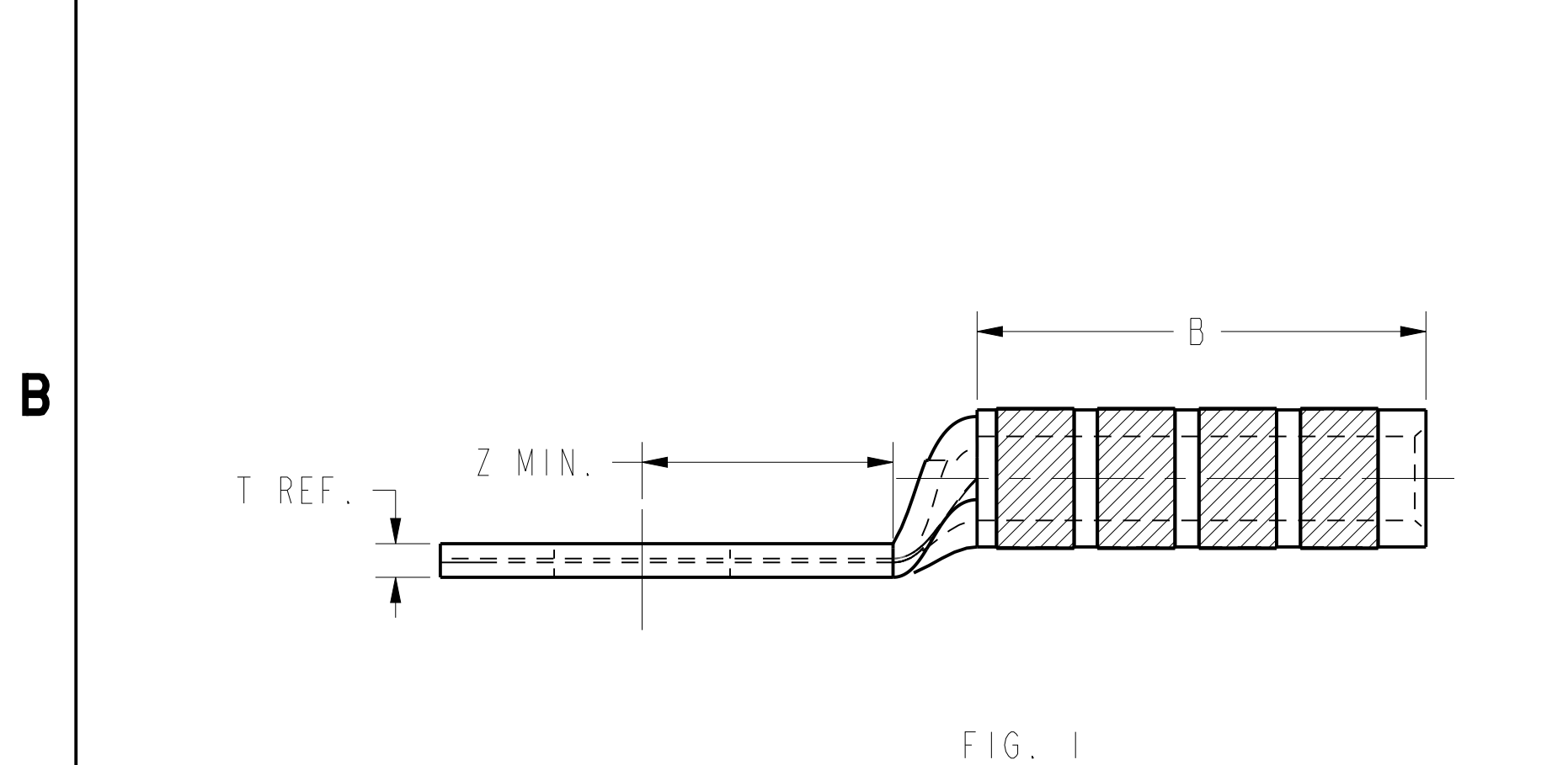
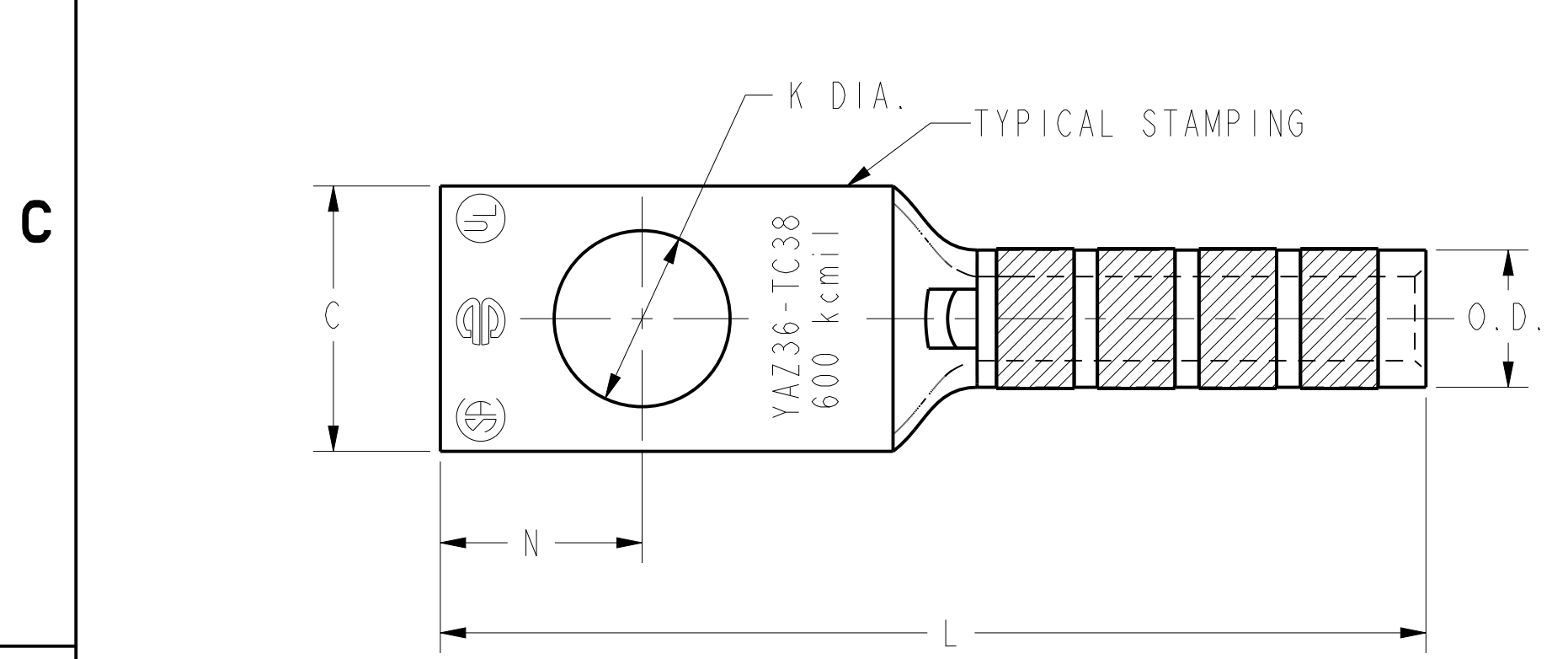


FIG. 1

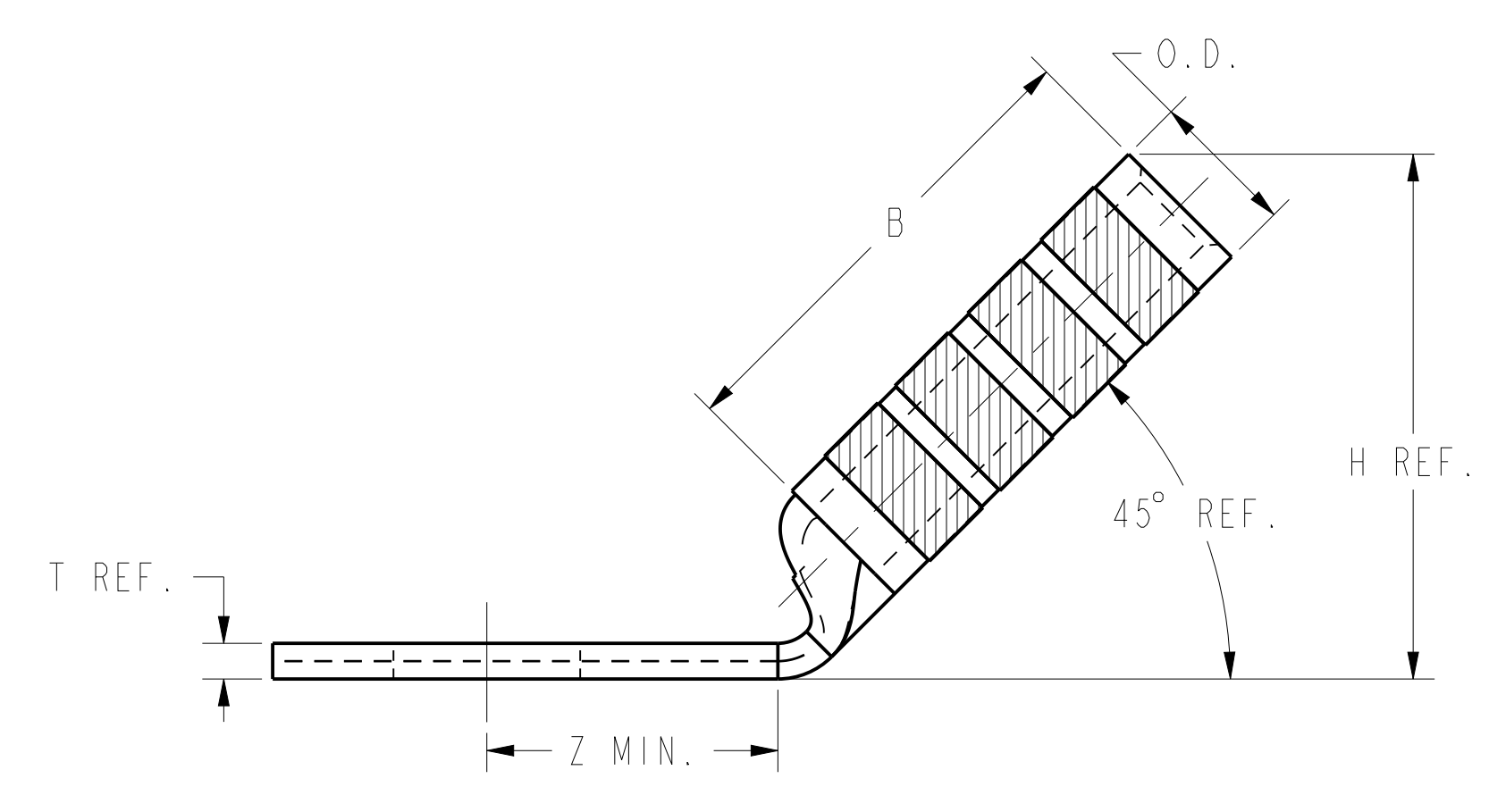
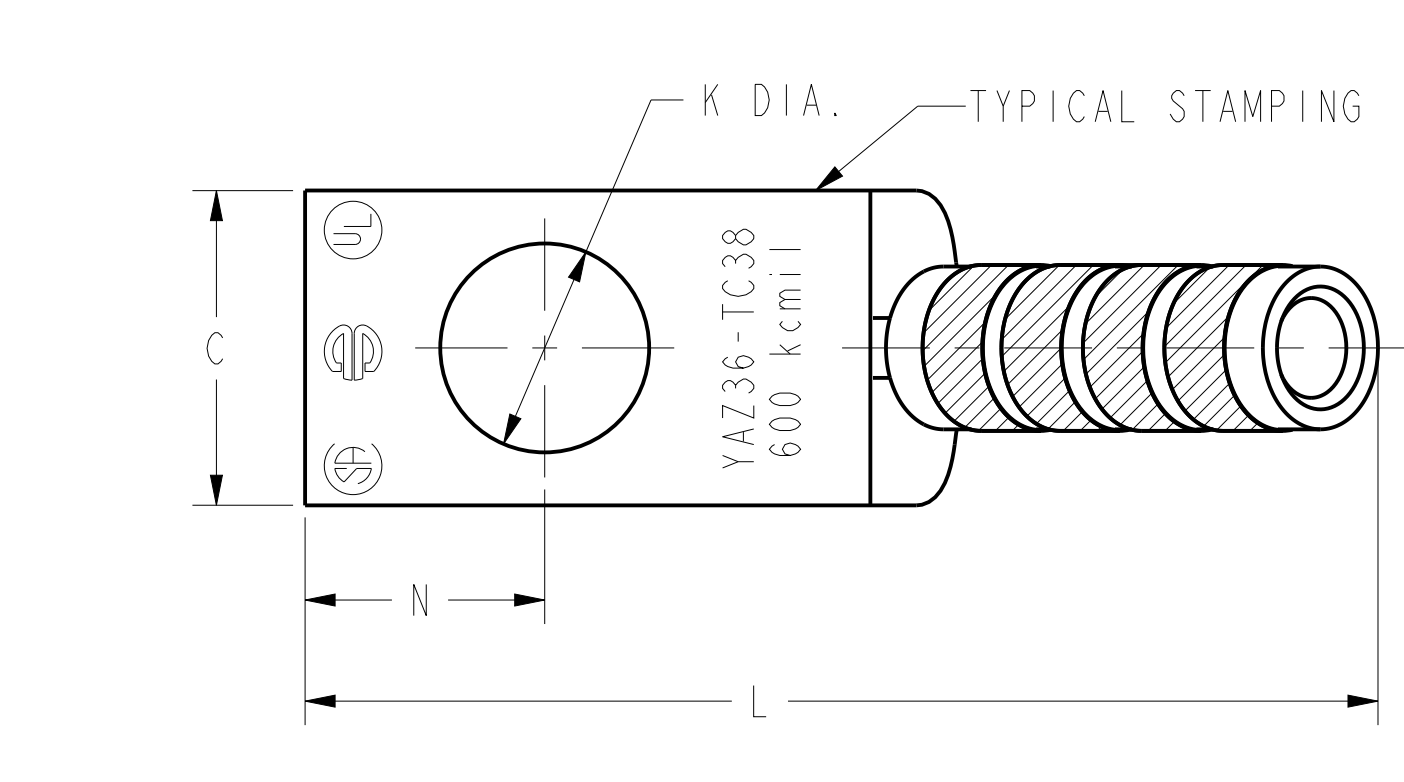


FIG. 2

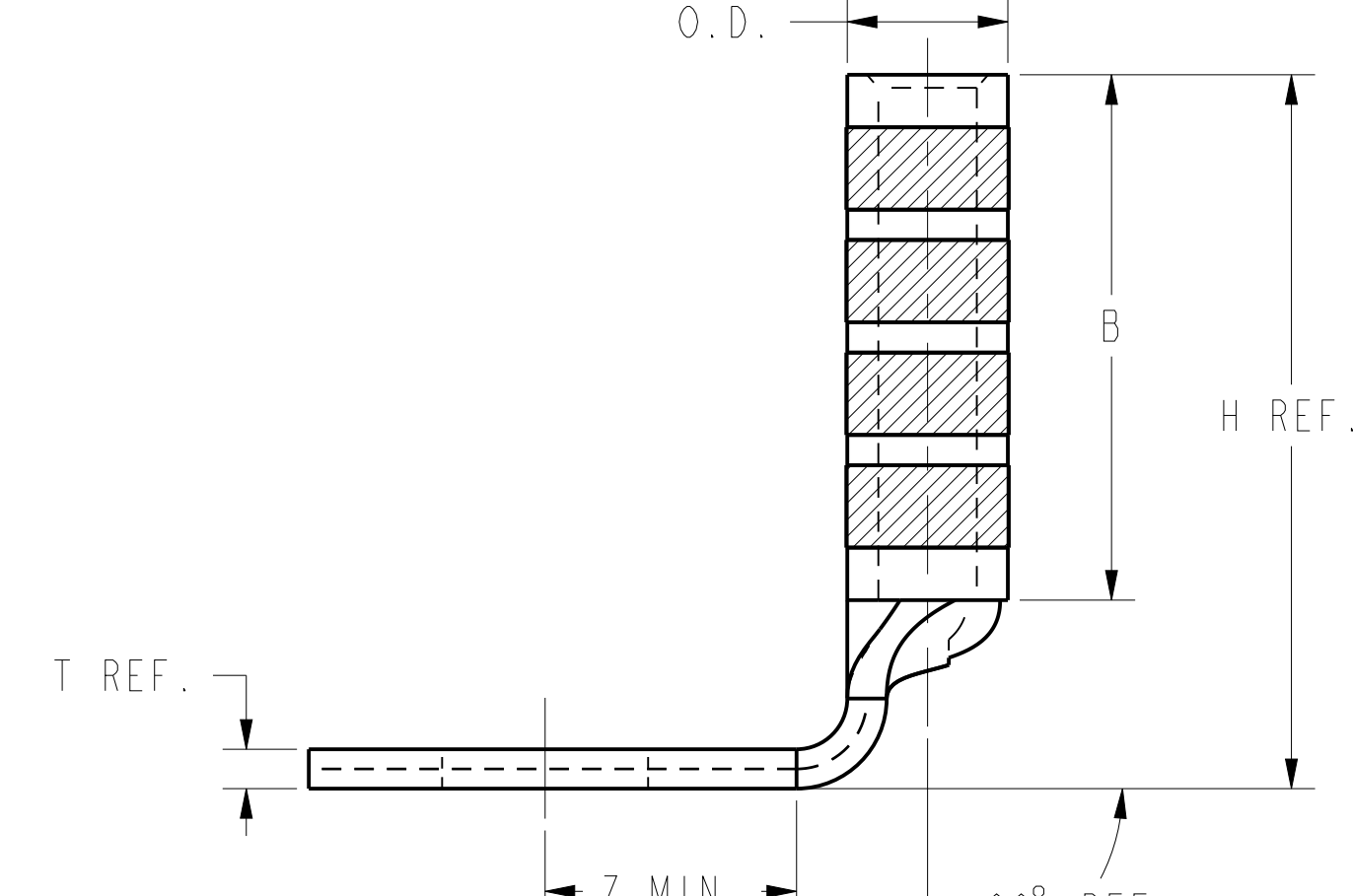
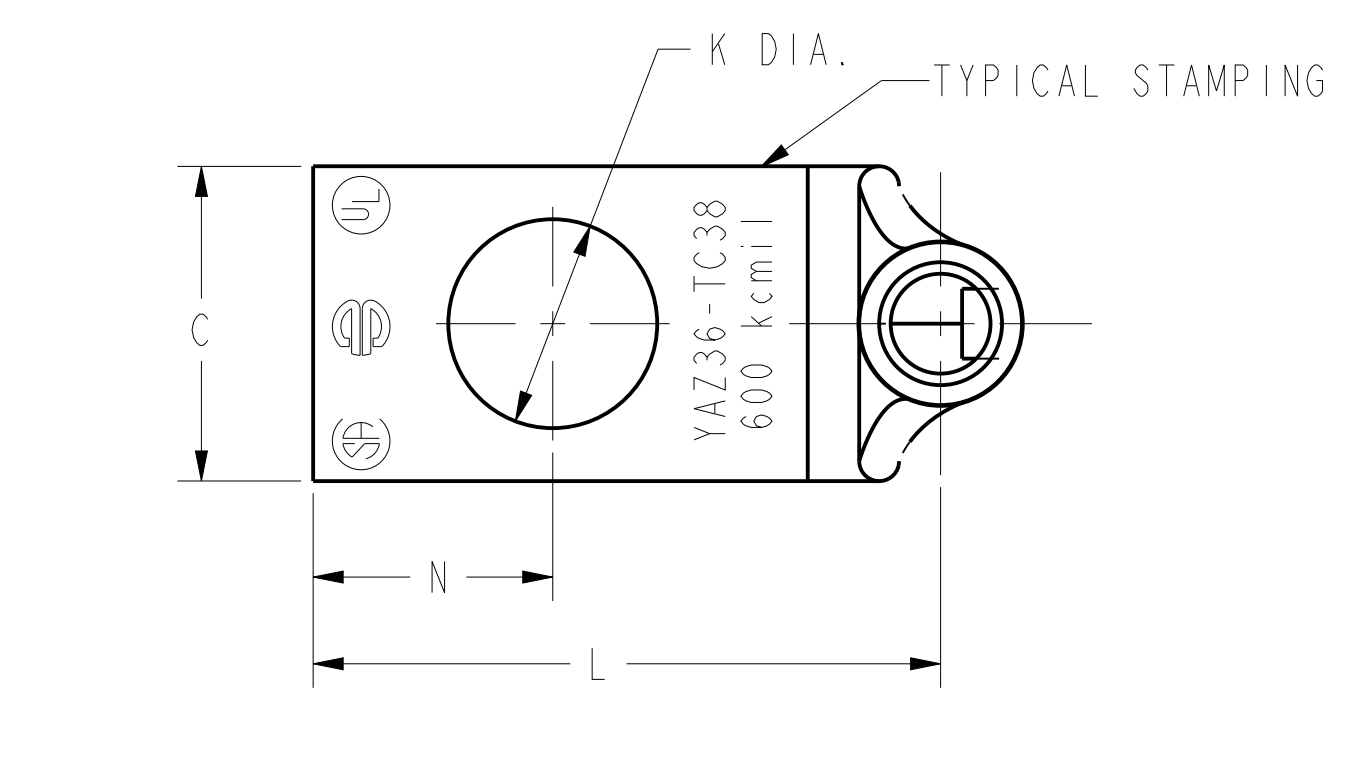


FIG. 3

- NOTES:
- MATERIAL: COPPER TUBING.
 - FINISH: TIN PLATED
 - CATALOG # PT6515 ADAPTOR IS REQUIRED TO USE "U" DIES IN Y45 SERIES TOOLS.
 - CATALOG # PUADP-1 ADAPTOR IS REQUIRED TO USE "U" DIES IN Y46 SERIES TOOLS.
 - DIMENSIONS, METRIC WIRE, & METRIC BOLT SIZES IN BRACKETS [] ARE IN MILLIMETERS. DIMENSIONS ARE ROUNDED OFF TO THE NEAREST MILLIMETER, UNLESS OTHERWISE NOTED, AND ARE FOR REFERENCE ONLY.

TO ORDER BURNDY® PRODUCTS CALL
 UNITED STATES
 1-800-346-4175 (LONDONDERRY, NH)
 CANADA:
 1-800-361-6975 (QUEBEC)
 1-800-387-6487 (ALL OTHER PROVINCES)
 FOR PRODUCT INFO: <http://www.burndy.com>

HYLUG™ (ONE HOLE CODE)	
ITEM NO:	NA
CAT. NO:	YAZ36-TC- (TABLE)
DRAWN BY:	D. BOISVERT 02/03/00
CHECKER:	R. BOISVERT 01/10/01
DSN APPVL:	J. MICHAUD 05/04/00
MFG APPVL:	N/A --
QA APPVL:	S. BROWN --
MKT APPVL:	--
PROD FAM:	--
PROJECT #:	--
DOCUMENT TYPE:	Sales
REL LEVEL:	Released



SCALE: NTS	DRAWING NO	REV
	SE212356	D
	SHEET 28 OF 40	

REV: PEO200