

REV	DATE	DESCRIPTION	ECO	BY	C.H.K.
B	05/08/2017 00:00:00 AM	LOGO UPDATE	46692	BK	MB

CATALOG NO.	CONDUCTOR		BOLT SIZE	FIG. NO.	DIMENSIONS								INSTALLATION TOOLING (# CRIMPS)								
	CODE (AWG)	NAVY			B ±.09	C ±.06	H REF.	K DIA. ±.02	L ±.15	N ±.06	O.D. ±.01	T REF.	Z MIN.	DIE INDEX	COLOR CODE	HYDRAULIC		DIELESS (# CRIMPS)	WIRE STRIP LENGTH		
YAZ41TC12				1			--		4.96 [126]								HYDRAULIC: Y644, Y644M BAT644M Y644MBH, Y1000 Y1000BH (1)			3	
YAZ41TC1245	850 kcmil [-----]	---	1/2 [M12]	2	2.94 [75]	2.01 [51]	3.81 [97]	.52 [13]	4.54 [115]	.53 [13]	1.38 [35]	.31 [8]	.55 [14]	26	GOLD						
YAZ41TC1290				3			4.43 [113]		1.98 [50]												

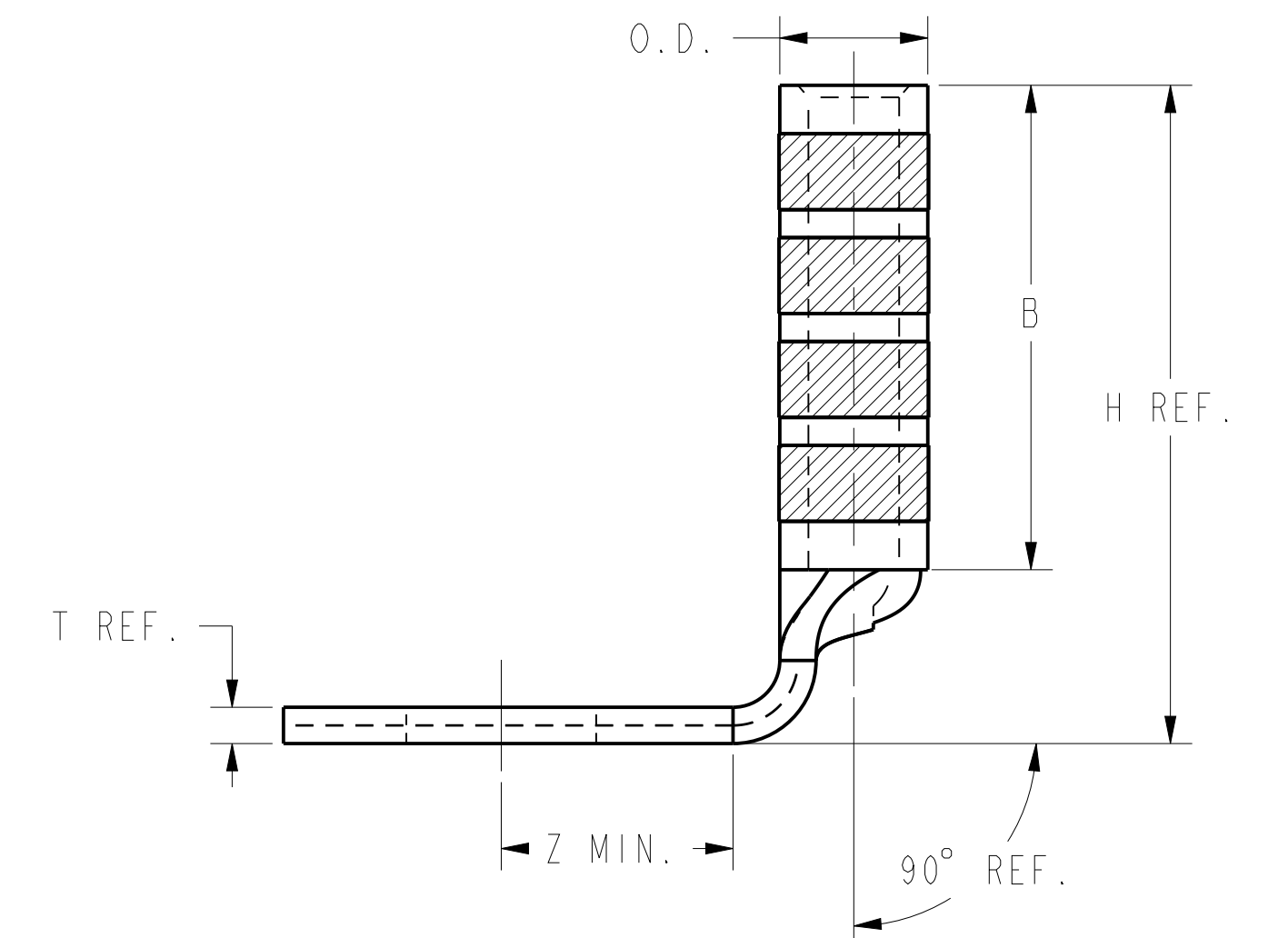
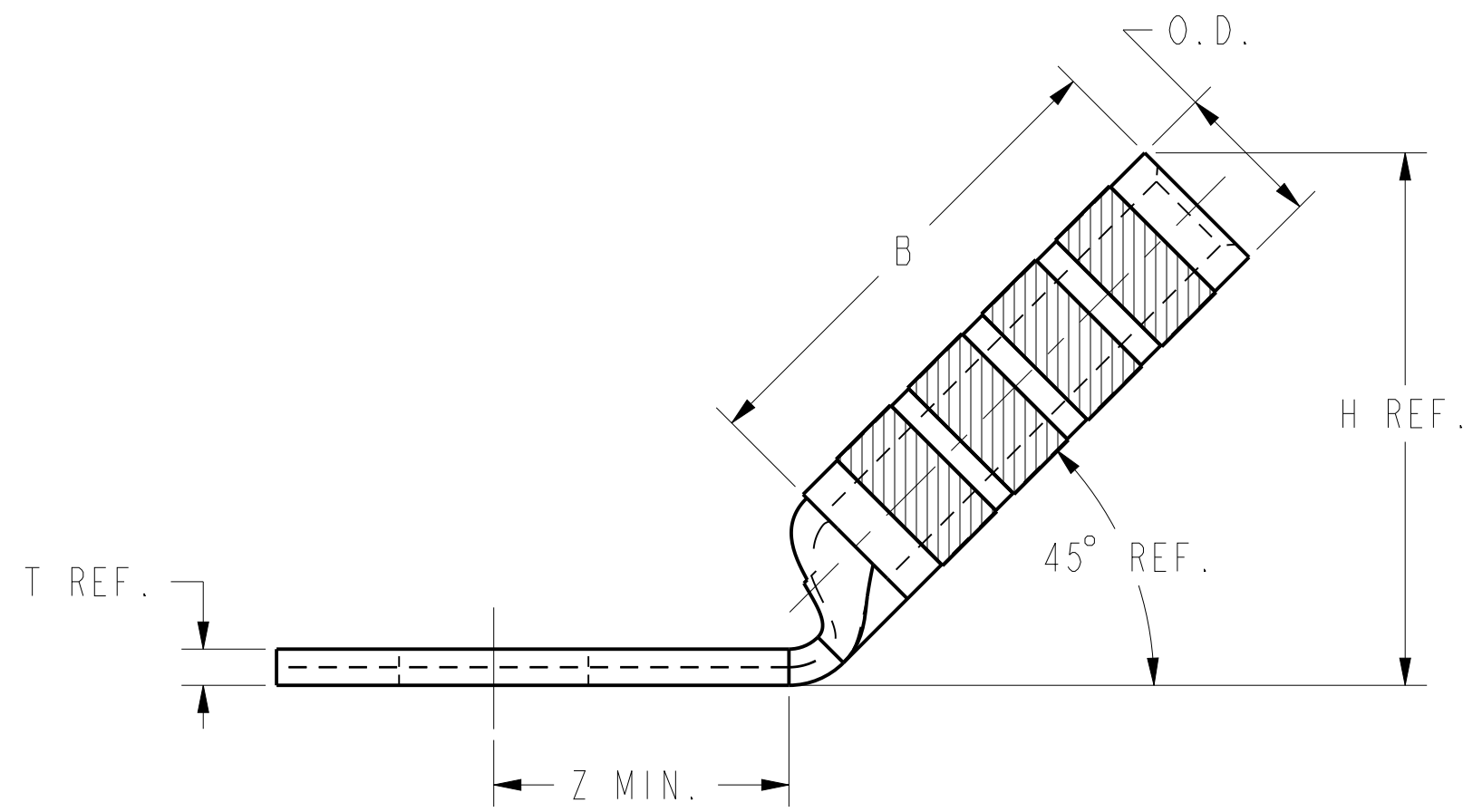
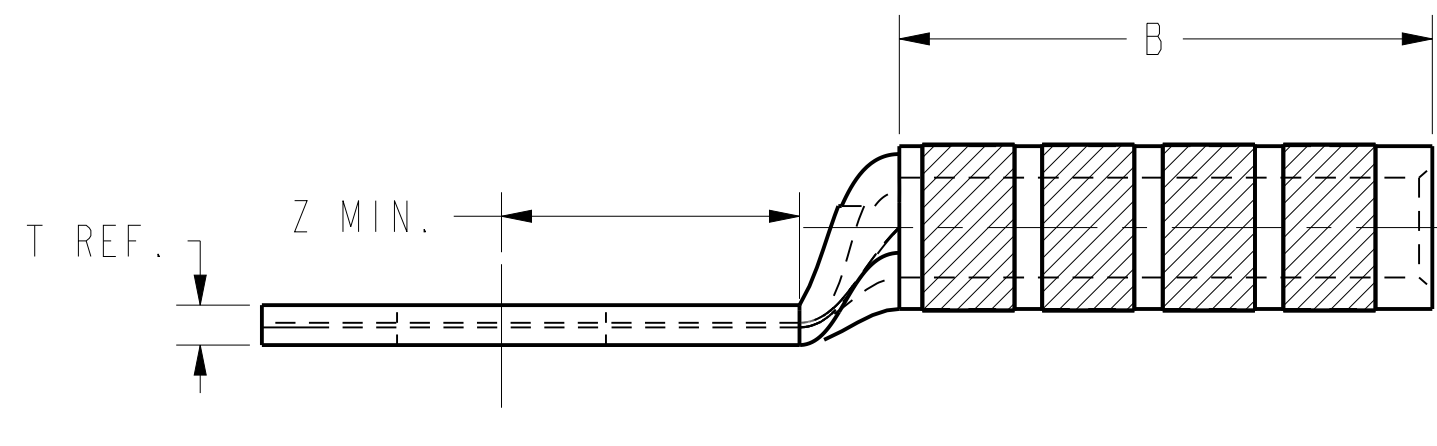
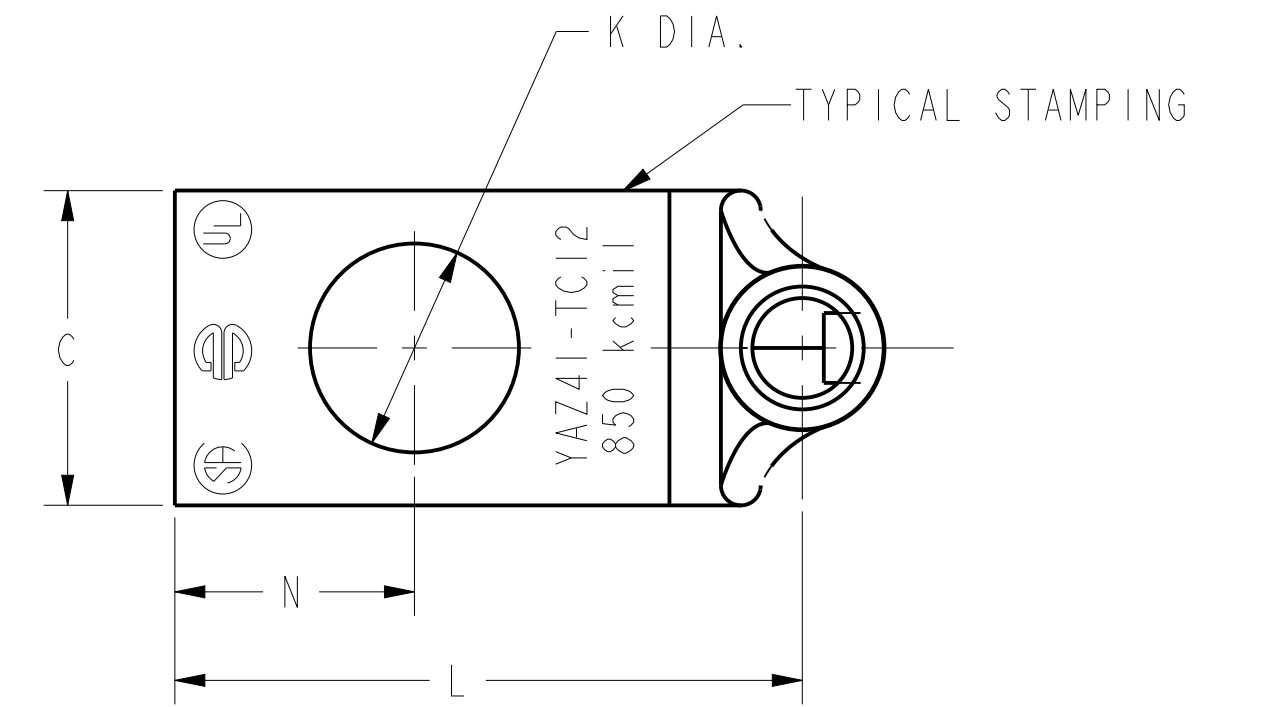
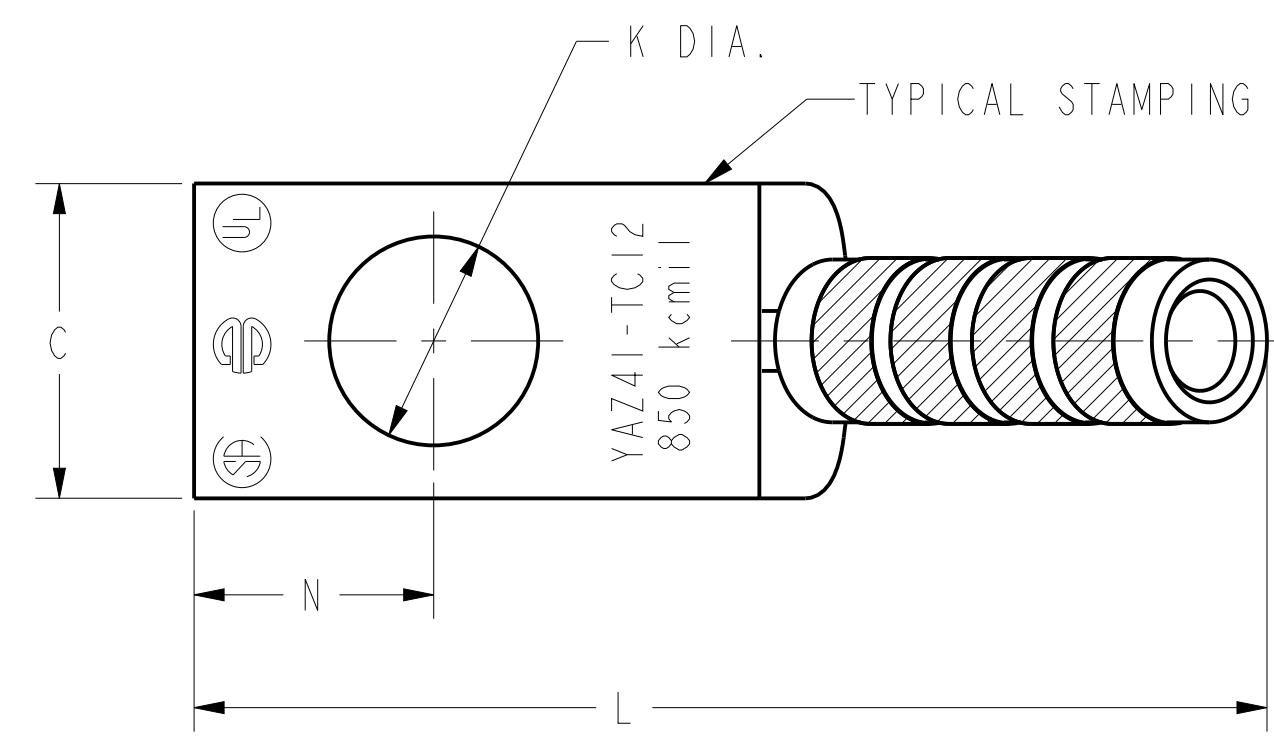
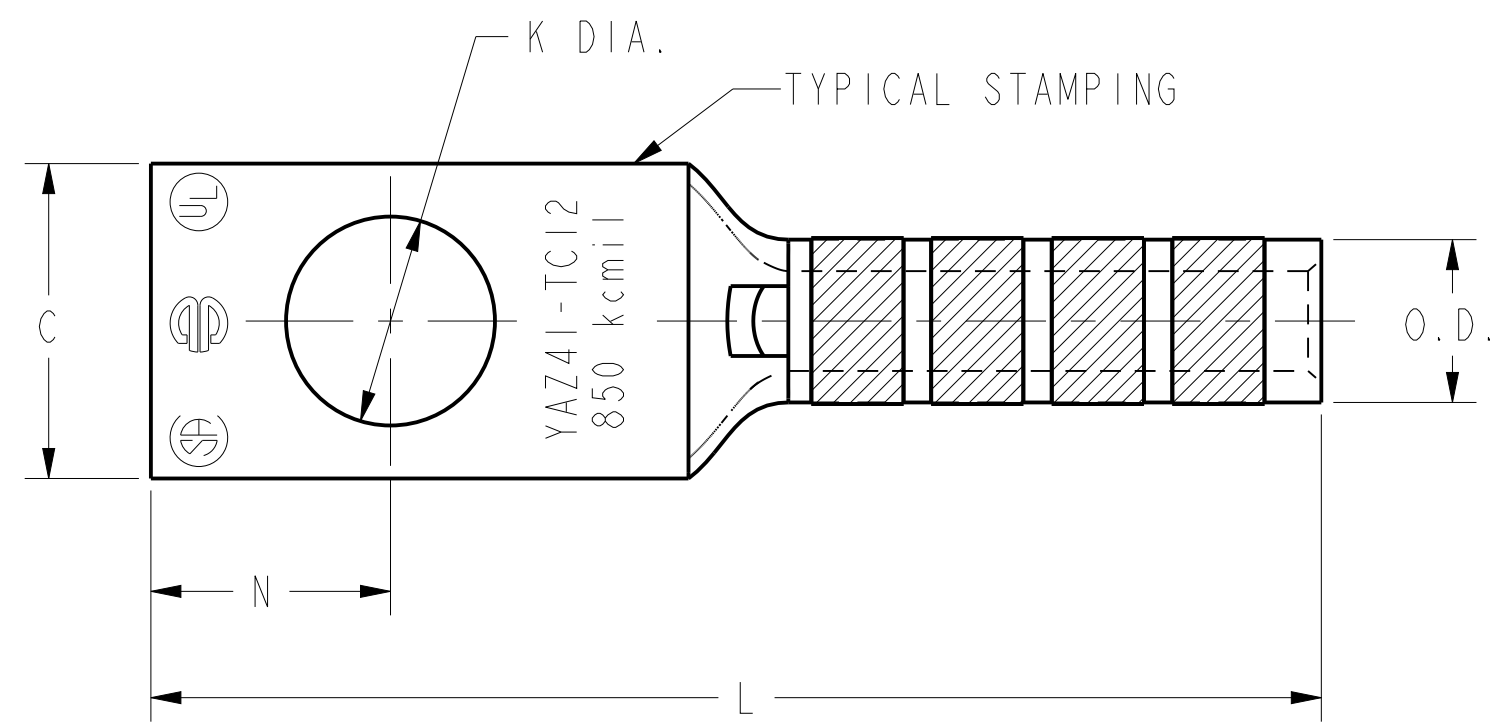


FIG. 1

FIG. 2

FIG. 3

NOTES:

1. MATERIAL: COPPER TUBING.
2. FINISH: TIN PLATED
3. CATALOG # PT6515 ADAPTOR IS REQUIRED TO USE "U" DIES IN Y45 SERIES TOOLS.
4. CATALOG # PUADP-1 ADAPTOR IS REQUIRED TO USE "U" DIES IN Y46 SERIES TOOLS.
5. DIMENSIONS, METRIC WIRE, & METRIC BOLT SIZES IN BRACKETS [] ARE IN MILLIMETERS. DIMENSIONS ARE ROUNDED OFF TO THE NEAREST MILLIMETER, UNLESS OTHERWISE NOTED, AND ARE FOR REFERENCE ONLY.

TO ORDER BURNDY® PRODUCTS CALL UNITED STATES 1-800-346-4175 (LONDONDERRY, NH) CANADA: 1-800-361-6975 (QUEBEC) 1-800-387-6487 (ALL OTHER PROVINCES) FOR PRODUCT INFO: http://www.burndy.com		HYLUG™ (ONE HOLE CODE)	
		ITEM NO: NA	SCALE: NTS
CAT. NO: YAZ41-TC- (TABLE)		DRAWING NO: REV	
DRAWN BY: D. BOISVERT 02/03/2000		PROJECT #: --	
CHECKER: K. MCCARTHY 04/05/2000		SIZE: D	
DSN APPVL: J. MICHAUD 05/04/2000		DOCUMENT TYPE: Sales	
MFG APPVL: N/A		REL LEVEL: Released	
QA APPVL: S. BROWN		SHEET 33 OF 40	
MKT APPVL: N/A		B	