

REV	DATE	DESCRIPTION	ECO	BY	C.H.K.
B	05/08/2017 00:00:00 AM	LOGO UPDATE	46692	BK	MB

CATALOG NO.	CONDUCTOR		BOLT SIZE	FIG. NO.	DIMENSIONS								INSTALLATION TOOLING (# CRIMPS)								
	CODE (AWG)	NAVY			B ±.09	C ±.06	H REF.	K DIA. ±.02	L ±.15	N ±.06	O.D. ±.01	T REF.	Z MIN.	DIE INDEX	COLOR CODE	HYDRAULIC		DIELESS (# CRIMPS)	WIRE STRIP LENGTH		
																Y46	Y45			Y48B	Y60B
YAZ453TC12	1300 kcmil [-----]	---	1/2 [M12]	1		--		5.46 [139]								NEST: C453D (4)		3-1/4			
YAZ453TC1245				2	3.19 [81]	2.53 [64]	4.44 [113]	.52 [13]	5.08 [129]	.53 [13]	1.74 [44]	.39 [10]	.55 [14]	30	ORANGE				---	---	---
YAZ453TC1290				3			5.08 [129]		2.22 [56]											INDENTOR Y48PR	

D

D

C

C

B

B

A

A

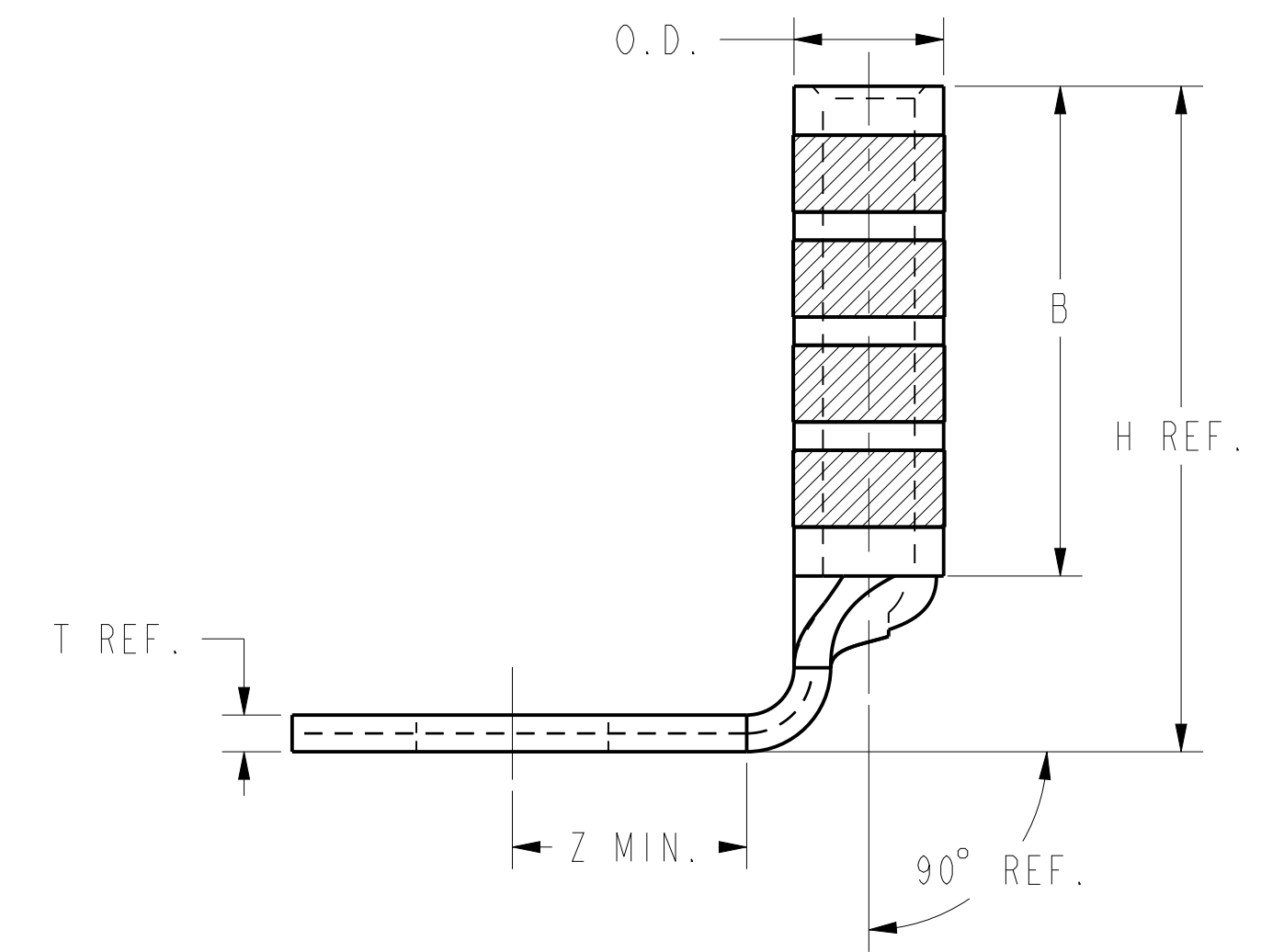
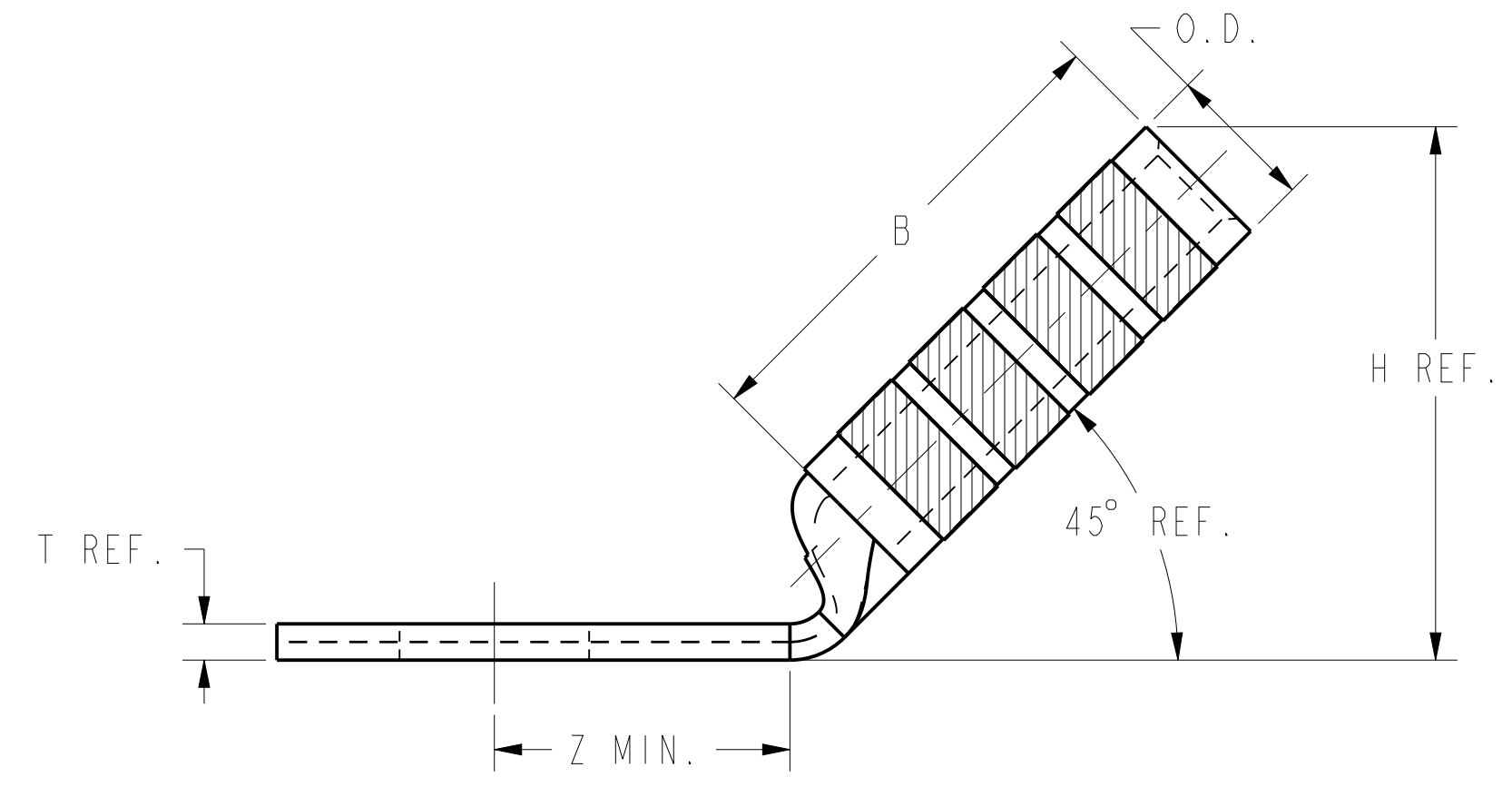
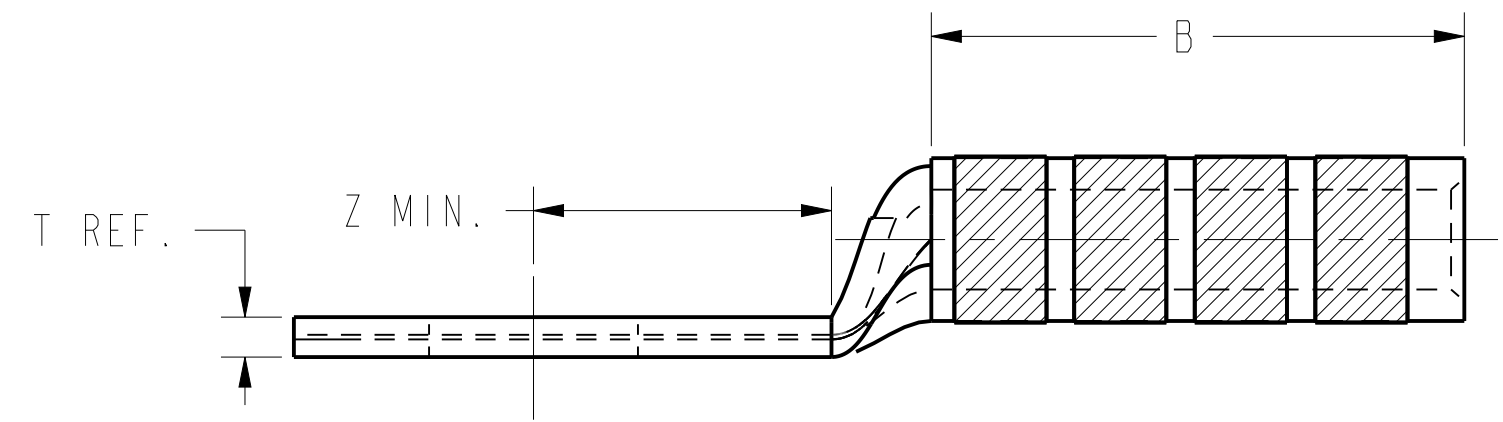
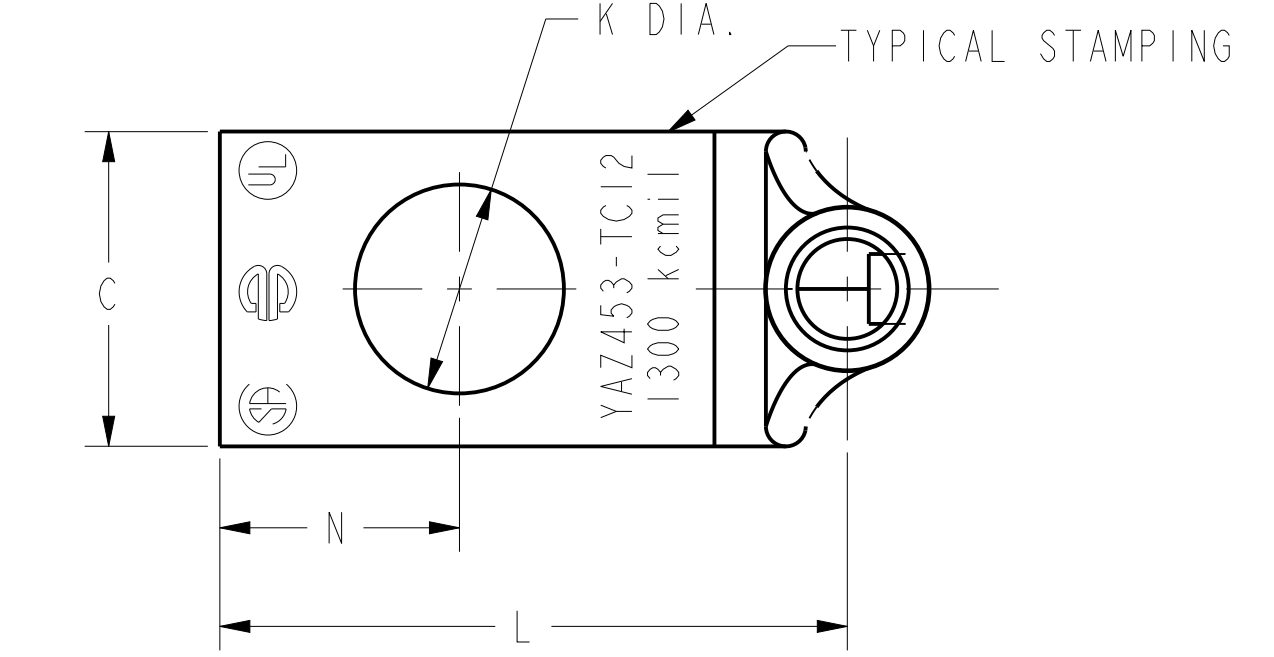
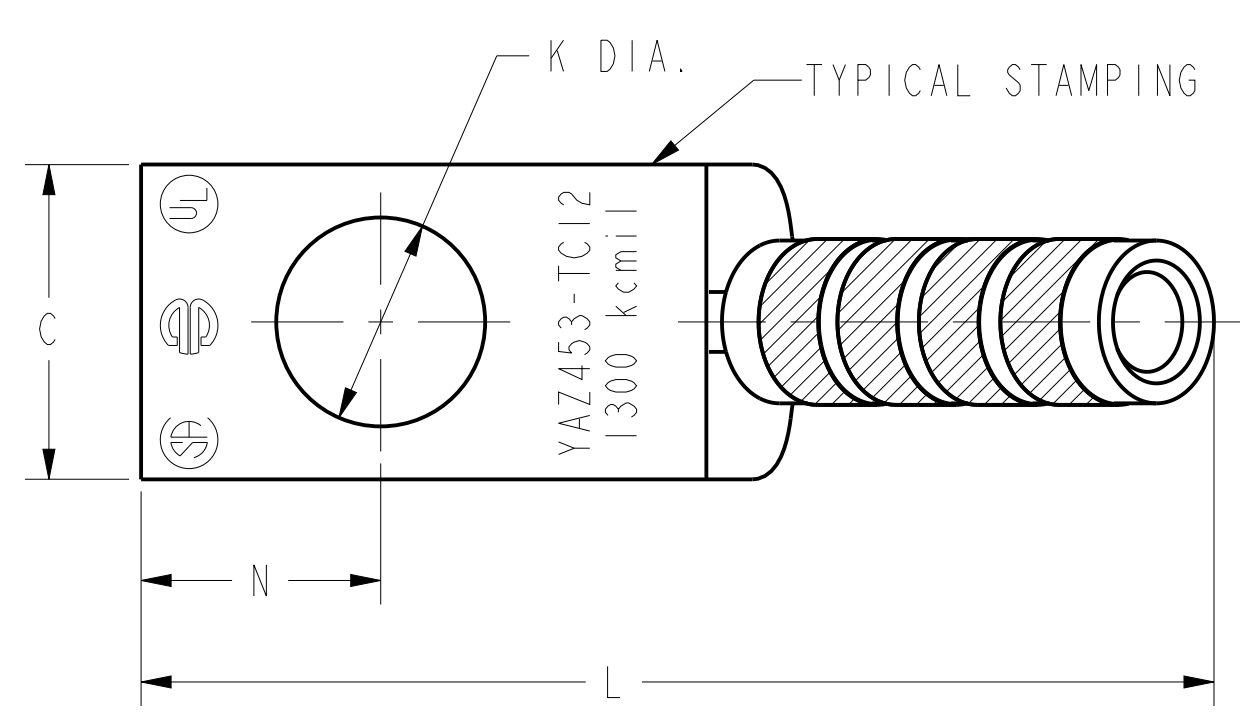
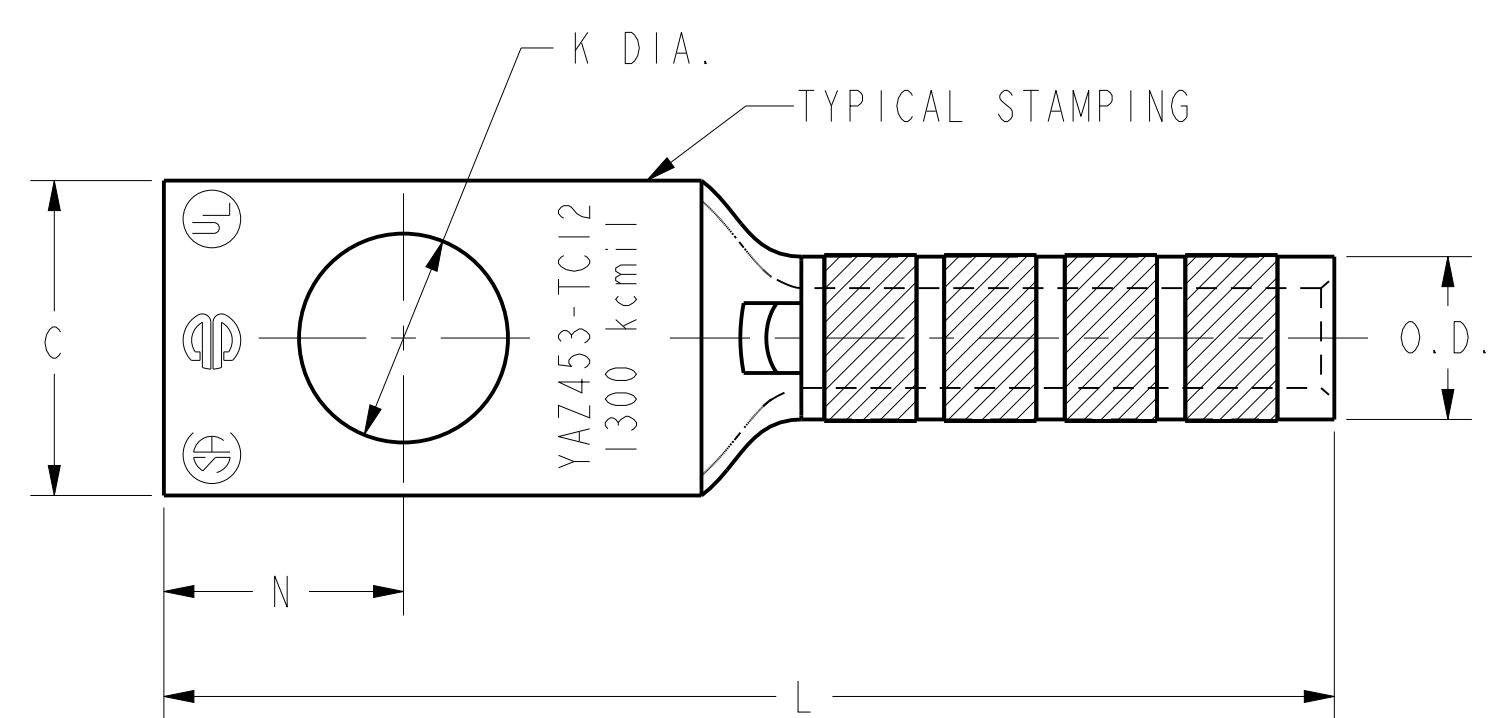


FIG. 1

FIG. 2

FIG. 3

NOTES:

- MATERIAL: COPPER TUBING.
- FINISH: TIN PLATED
- CATALOG # PT6515 ADAPTOR IS REQUIRED TO USE "U" DIES IN Y45 SERIES TOOLS.
- CATALOG # PUADP-1 ADAPTOR IS REQUIRED TO USE "U" DIES IN Y46 SERIES TOOLS.
- DIMENSIONS, METRIC WIRE, & METRIC BOLT SIZES IN BRACKETS [ ] ARE IN MILLIMETERS. DIMENSIONS ARE ROUNDED OFF TO THE NEAREST MILLIMETER, UNLESS OTHERWISE NOTED, AND ARE FOR REFERENCE ONLY.

TO ORDER BURNDY® PRODUCTS CALL		HYLUG™ (ONE HOLE CODE)	
UNITED STATES 1-800-346-4175 (LONDONDERRY, NH)		ITEM NO: NA	CAT. NO: YAZ453-TC- (TABLE)
CANADA: 1-800-361-6975 (QUEBEC) 1-800-387-6487 (ALL OTHER PROVINCES)		DRAWN BY: D. BOISVERT 02/03/2000	CHECKER: K. MCCARTHY 04/05/2000
FOR PRODUCT INFO: <a href="http://www.burndy.com">http://www.burndy.com</a>		DSN APPVL: J. MICHAUD 05/04/2000	MFG APPVL: N/A
		GA APPVL: S. BROWN	MKT APPVL: N/A
		PROD FAM: --	DRAWING NO: REV
		PROJECT #: --	SIZE: D
		DOCUMENT TYPE: Sales	SE212356
		REL LEVEL: Released	SHEET 36 OF 40

REV: PE0200