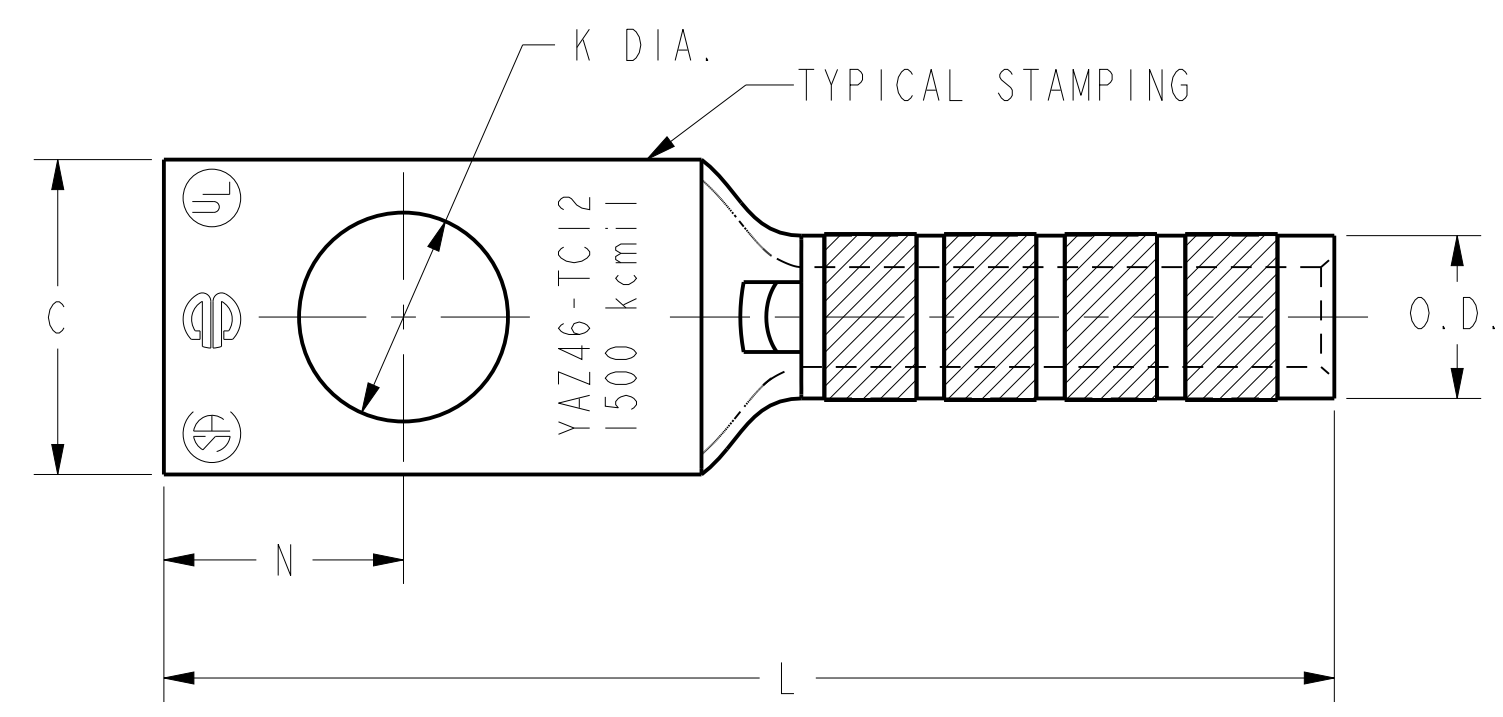


REV	DATE	DESCRIPTION	ECO	BY	C'H'K.
B	05/08/2017 00:00:00 AM	LOGO UPDATE	46692	BK	MB

CATALOG NO.	CONDUCTOR		BOLT SIZE	FIG. NO.	DIMENSIONS									INSTALLATION TOOLING (# CRIMPS)							
														DIE INDEX	COLOR CODE	HYDRAULIC				DIELESS (# CRIMPS)	WIRE STRIP LENGTH
																Y46	Y45	Y48B	Y60B		
YAZ46TC12	1500 kcmil [800mm ² STR]	---	1/2 [M12]	1	B ±.09	C ±.06	H REF.	K DIA. ±.02	L ±.15	N ±.06	O.D. ±.01	T REF.	Z MIN.								
YAZ46TC1245				2	3.19 [81]	2.69 [68]	4.57 [116]	.52 [13]	5.15 [131]	.53 [13]	1.84 [47]	.40 [10]	.55 [14]	31	GREEN	P46RT (6)	S46RT (6)	C46R (3)	L46RT (3)	---	3-1/4
YAZ46TC1290				3			5.17 [131]			2.27 [58]											

C



B

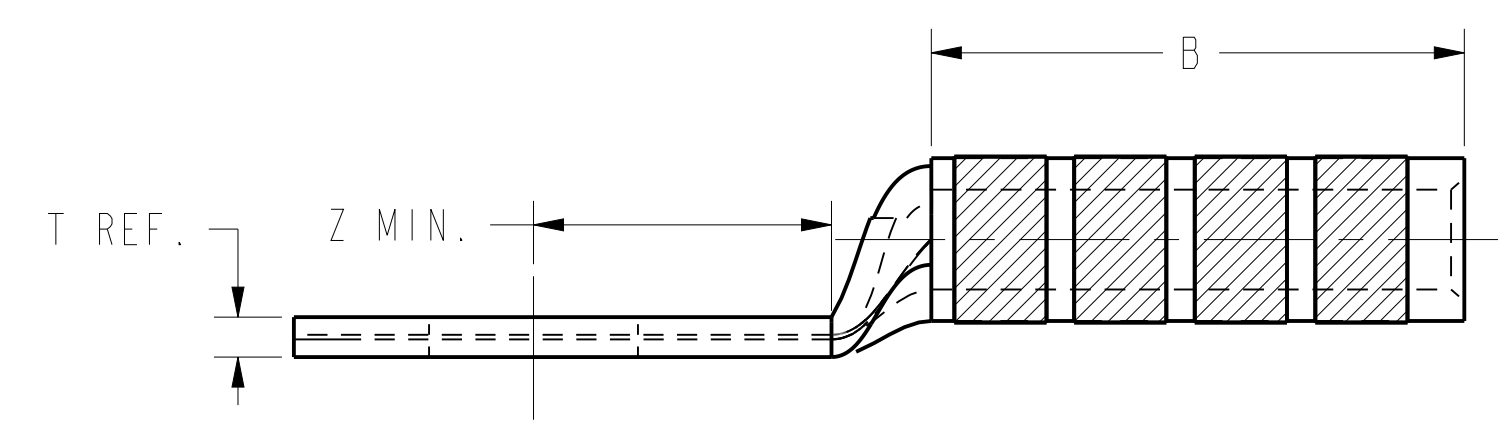


FIG. 1

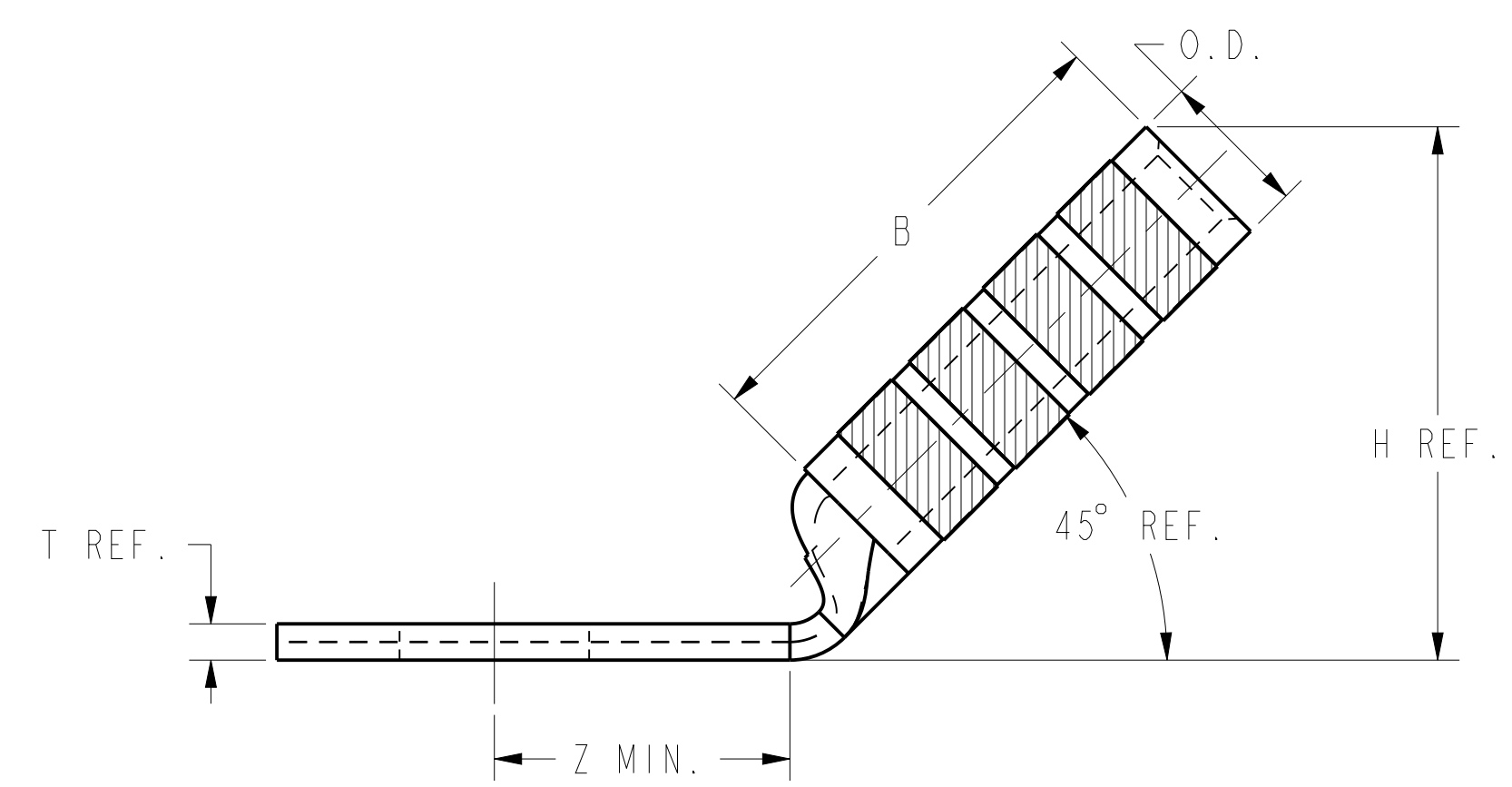
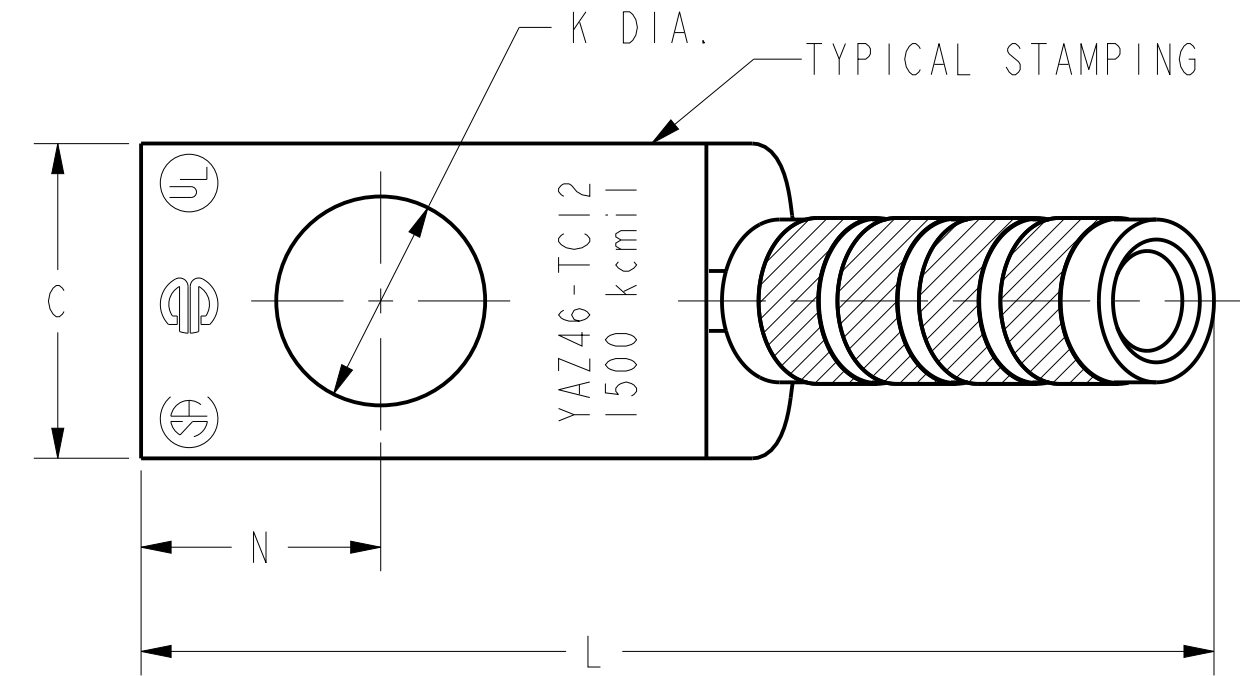


FIG. 2

C

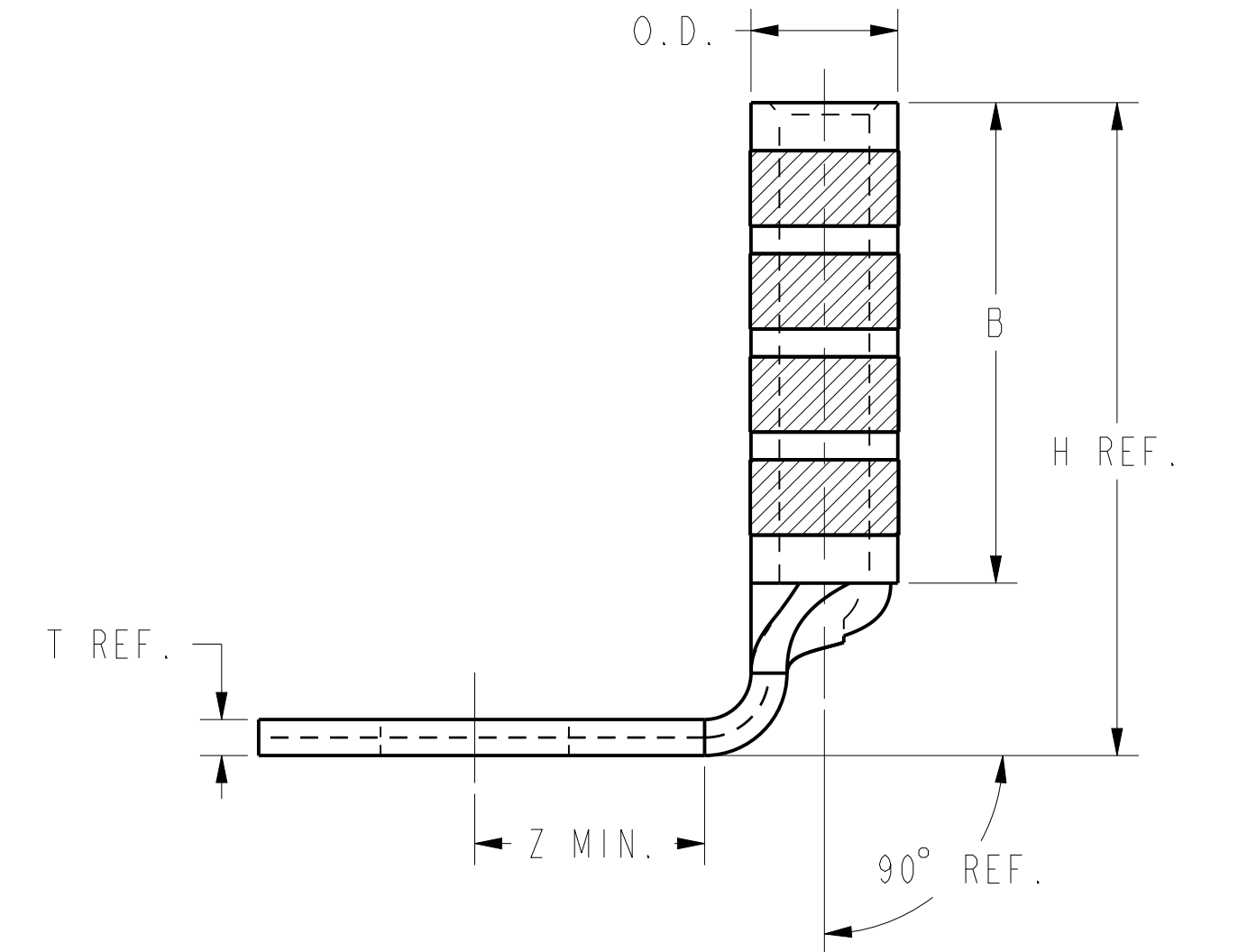
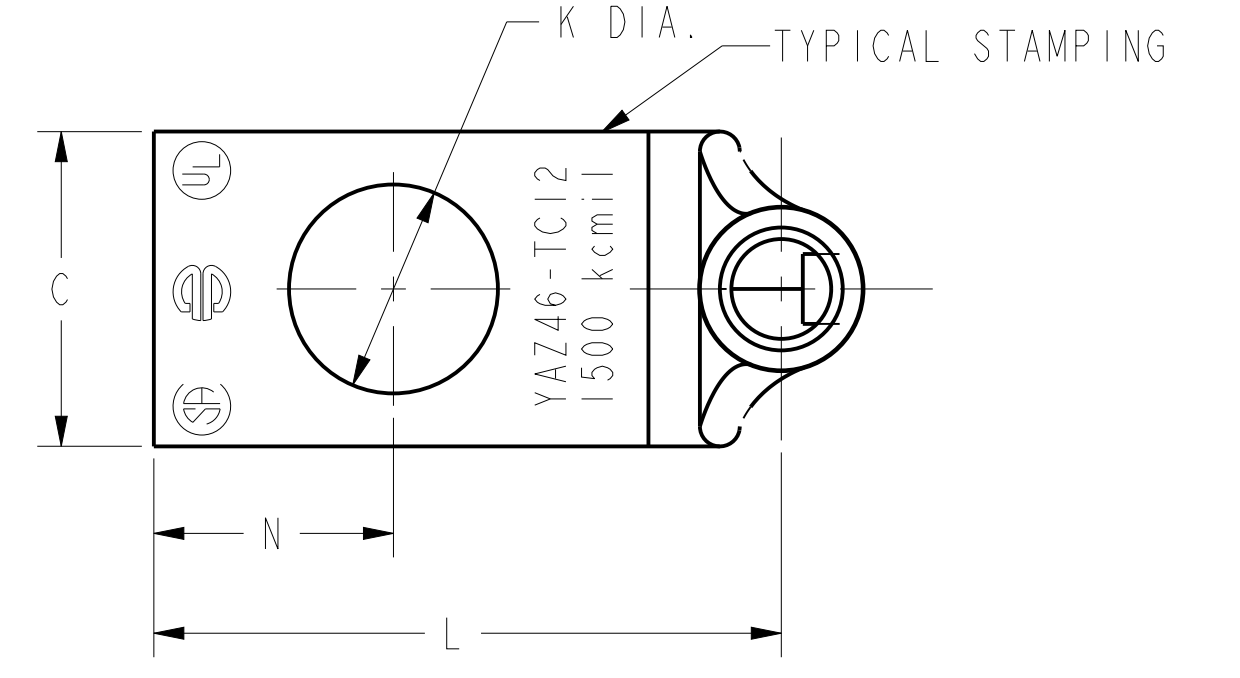


FIG. 3

A

NOTES:

- MATERIAL: COPPER TUBING.
- FINISH: TIN PLATED
- CATALOG # PT6515 ADAPTOR IS REQUIRED TO USE "U" DIES IN Y45 SERIES TOOLS.
- CATALOG # PUADP-1 ADAPTOR IS REQUIRED TO USE "U" DIES IN Y46 SERIES TOOLS.
- DIMENSIONS, METRIC WIRE, & METRIC BOLT SIZES IN BRACKETS [] ARE IN MILLIMETERS. DIMENSIONS ARE ROUNDED OFF TO THE NEAREST MILLIMETER, UNLESS OTHERWISE NOTED, AND ARE FOR REFERENCE ONLY.

TO ORDER BURNDY® PRODUCTS CALL		HYLUG™ (ONE HOLE CODE)	
UNITED STATES 1-800-346-4175 (LONDONDERRY, NH)		ITEM NO: NA	CAT. NO: YAZ46-TC- (TABLE)
CANADA: 1-800-361-6975 (QUEBEC) 1-800-387-6487 (ALL OTHER PROVINCES)		DRAWN BY: D. BOISVERT 02/03/2000	CHECKER: K. MCCARTHY 04/05/2000
FOR PRODUCT INFO: http://www.burndy.com		DSN APPVL: J. MICHAUD 05/04/2000	MFG APPVL: N/A
		QA APPVL: S. BROWN	MKT APPVL: N/A
		PROD FAM: --	DRAWING NO: REV
		PROJECT #: --	SIZE: SE212356
		DOCUMENT TYPE: Sales	SHEET 37 OF 40
		REL LEVEL: Released	

REV: PEO200

