

| CATALOG NO.    | CONDUCTOR                  |            | BOLT SIZE   | FIG. NO.                   | DIMENSIONS   |              |              |              |              |              |             |            | INSTALLATION TOOLING (# CRIMPS) |                |            |                                |                       |                                |                            |   |              |   |                    |                   |             |             |                |      |                                |                       |                                |              |              |              |   |        |              |
|----------------|----------------------------|------------|-------------|----------------------------|--------------|--------------|--------------|--------------|--------------|--------------|-------------|------------|---------------------------------|----------------|------------|--------------------------------|-----------------------|--------------------------------|----------------------------|---|--------------|---|--------------------|-------------------|-------------|-------------|----------------|------|--------------------------------|-----------------------|--------------------------------|--------------|--------------|--------------|---|--------|--------------|
|                | FLEX                       | CODE (AWG) |             |                            | B            | C            | H            | K DIA.       | L            | N            | O.D.        | T REF.     | Z MIN.                          | DIE INDEX      | COLOR CODE | MECHANICAL                     |                       |                                | HYDRAULIC                  |   |              |   | DIELESS (# CRIMPS) | WIRE STRIP LENGTH |             |             |                |      |                                |                       |                                |              |              |              |   |        |              |
|                |                            |            |             |                            |              |              |              |              |              |              |             |            |                                 |                |            | MD7-34R                        | OUR840                | Y2MR                           | BCT500<br>Y500CT<br>PAT600 | Y750<br>Y35,PAT35<br>Y39,PAT750<br>PAT750 | Y46          | Y45   |                    |                   |             |             |                |      |                                |                       |                                |              |              |              |   |        |              |
| YAZV4CTC10FX   | #4 WELD<br>91/24<br>105/24 | #4 AWG     | 1/4<br>[M6] | 1                          | 1.25<br>[32] | .41<br>[10]  | --           | .21<br>[5]   | 2.07<br>[53] | .25<br>[6]   | .38<br>[10] | .09<br>[2] | .26<br>[7]                      | 8<br>OR<br>346 | GRAY       | W4CVT<br>X4CRT<br>W4CRT<br>(2) | X4CRT<br>W4CVT<br>(2) | W4CVT<br>X4CRT<br>W4CRT<br>(2) | U4CRT<br>(2)               | U4CRT<br>(2)                              | U4CRT<br>(2) | MECHANICAL:<br>MY29- 11(1)<br><br>HYDRAULIC:<br>Y644, Y644M<br>PAT644,<br>Y644MBH<br>(1)<br><br>Y81KFT-SERIES<br>Y4PC-SERIES<br>(1) | 1-5/16             |                   |             |             |                |      |                                |                       |                                |              |              |              |   |        |              |
| YAZV4CTC14FX   |                            |            |             | 2                          | .55<br>[14]  | 1.37<br>[35] | .27<br>[7]   | 1.96<br>[50] | .31<br>[8]   | .33<br>[8]   |             |            |                                 |                |            |                                |                       |                                |                            |   |              |   |                    |                   |             |             |                |      |                                |                       |                                |              |              |              |   |        |              |
| YAZV4CTC14FX45 |                            |            |             | 3                          |              | 1.69<br>[43] |              | .92<br>[23]  |              |              |             |            |                                 |                |            |                                |                       |                                |                            |   |              |   |                    |                   |             |             |                |      |                                |                       |                                |              |              |              |   |        |              |
| YAZV4CTC38FX   |                            |            |             | 3/8<br>[M10]               | 1            | .58<br>[15]  | --           |              | 2.42<br>[61] | .41<br>[10]  |             |            |                                 |                |            |                                |                       |                                |                            |   |              |   |                    | .42<br>[11]       |             |             |                |      |                                |                       |                                |              |              |              |   |        |              |
| YAZV4CTC38FX45 |                            |            |             |                            | 2            |              | 1.40<br>[36] | .40<br>[10]  | 2.16<br>[55] |              |             |            |                                 |                |            |                                |                       |                                |                            |   |              |   |                    |                   |             |             |                |      |                                |                       |                                |              |              |              |   |        |              |
| YAZV4CTC38FX90 |                            |            |             |                            | 3            |              | 1.72<br>[44] |              | 1.10<br>[28] |              |             |            |                                 |                |            |                                |                       |                                |                            |   |              |   |                    |                   |             |             |                |      |                                |                       |                                |              |              |              |   |        |              |
| YAZV4CTC12FX   |                            |            |             | #4 WELD<br>91/24<br>105/24 | #4 AWG       | 1/2<br>[M12] | 1            | 1.25<br>[32] | --           |              |             |            |                                 |                |            |                                |                       |                                |                            |   |              |   |                    | 2.67<br>[68]      | .53<br>[13] | .54<br>[14] | 8<br>OR<br>346 | GRAY | W4CVT<br>X4CRT<br>W4CRT<br>(2) | X4CRT<br>W4CVT<br>(2) | W4CVT<br>X4CRT<br>W4CRT<br>(2) | U4CRT<br>(2) | U4CRT<br>(2) | U4CRT<br>(2) | MECHANICAL:<br>MY29- 11(1)<br><br>HYDRAULIC:<br>Y644, Y644M<br>PAT644,<br>Y644MBH<br>(1)<br><br>Y81KFT-SERIES<br>Y4PC-SERIES<br>(1) | 1-5/16 |              |
| YAZV4CTC12FX45 |                            |            |             |                            |              |              | 2            |              | .71<br>[18]  | 1.40<br>[36] |             |            |                                 |                |            |                                |                       |                                |                            |   |              |   |                    | .53<br>[13]       |             |             |                |      |                                |                       |                                |              |              |              |   |        | 2.41<br>[61] |
| YAZV4CTC12FX90 |                            |            |             |                            |              |              | 3            |              | 1.72<br>[44] |              |             |            |                                 |                |            |                                |                       |                                |                            |   |              |   |                    | 1.35<br>[34]      |             |             |                |      |                                |                       |                                |              |              |              |   |        |              |

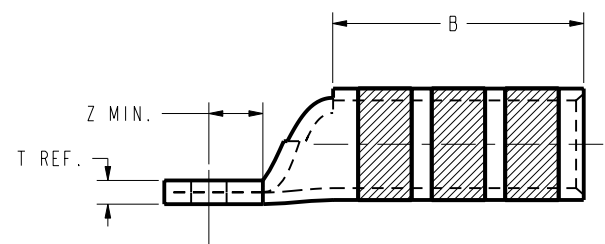
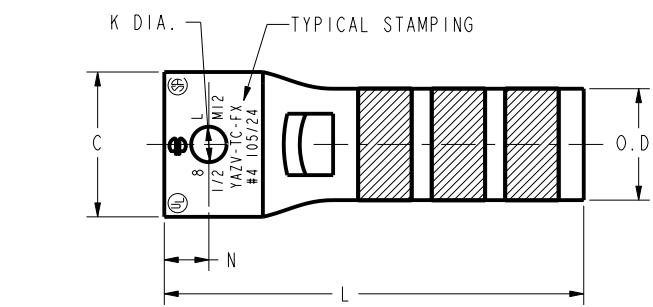


FIG. 1

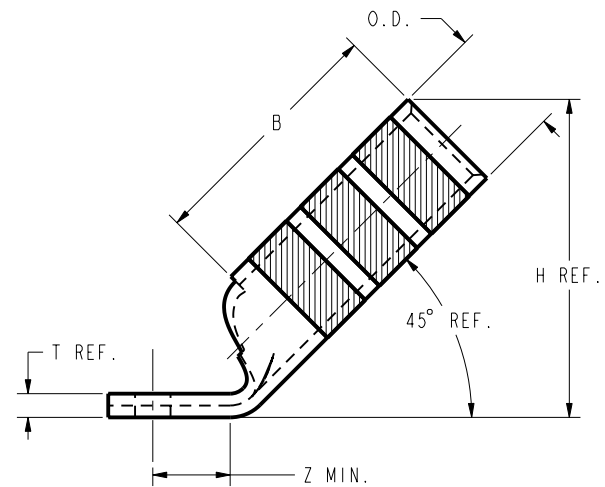
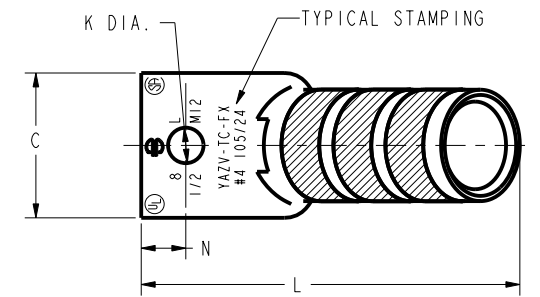


FIG. 2

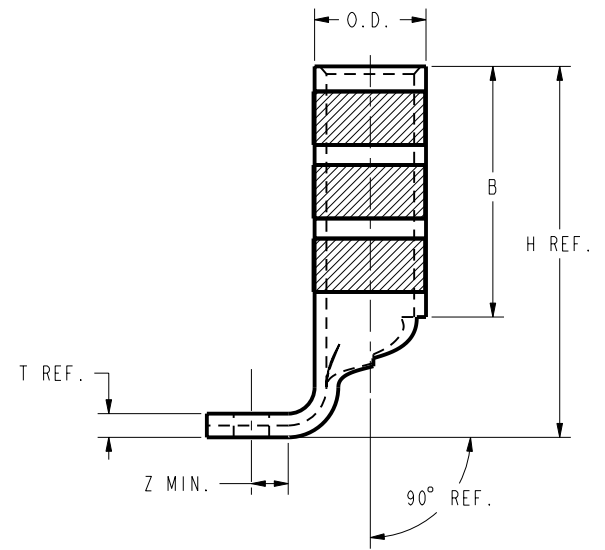
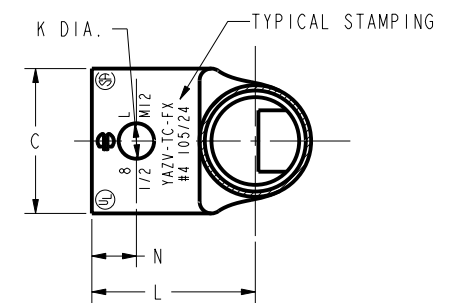


FIG. 3

NOTES:

- MATERIAL: COPPER TUBING.
- FINISH: TIN PLATED
- CATALOG # PT6515 ADAPTOR IS REQUIRED TO USE " U " DIES IN Y45 SERIES TOOLS.
- CATALOG # PUADP-1 ADAPTOR IS REQUIRED TO USE " U " DIES IN Y46 SERIES TOOLS.
- PERMANENT DIE IN TOOLING.
- DIMENSIONS IN BRACKETS [ ] ARE IN MILLIMETERS. DIMENSIONS ARE ROUNDED OFF TO THE NEAREST MILLIMETER, UNLESS OTHERWISE NOTED, AND ARE FOR REFERENCE ONLY.
- UL LISTED AND CSA CERTIFIED CONNECTOR.

|   |  |                                |                              |
|---|--|--------------------------------|------------------------------|
| TO ORDER BURNDY® PRODUCTS CALL  |  | HYLUGS™ (ONE HOLE FLEX)        |                              |
| UNITED STATES<br>1-800-346-4175 (LONDONDERRY, NH)                           |  | ITEM NO: --                    | CAT. NO: YAZV4C-TC (TABLE)   |
| CANADA:<br>1-800-361-6975 (QUEBEC)<br>1-800-387-6487 (ALL OTHER PROVINCES)  |  | DRAWN BY: D. BOISVERT 08/23/00 | CHECKER: J. MICHARD 08/28/00 |
| FOR PRODUCT INFO: <a href="http://www.burndy.com">http://www.burndy.com</a> |  | DSN APPVL: J. MICHARD 08/21/00 | MFG APPVL: N/A               |
|   |  | QA APPVL: S. BROWN             | MKT APPVL: R. ROBICHEAU      |
|   |  | PROJ #: --                     | SCALE: 1:1                   |
|   |  | PROJ #: --                     | SIZE: D                      |
|   |  | DOCUMENT TYPE: Sales           | DRAWING NO: SE212448         |
|   |  | REL LEVEL: Released            | SHEET 3 OF 16                |

| REV | DATE                   | DESCRIPTION      | ECO   | BY | C'H'K' |
|-----|------------------------|------------------|-------|----|--------|
| D   | 12/16/2013 08:00:00 AM | DRAWING RELEASED | 34098 | GV | MB     |

REV: PE0200