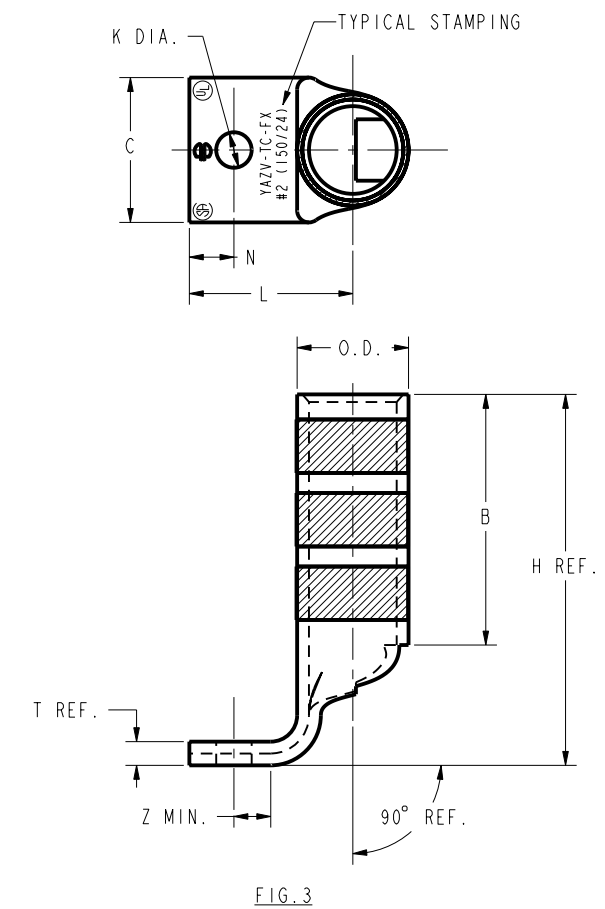
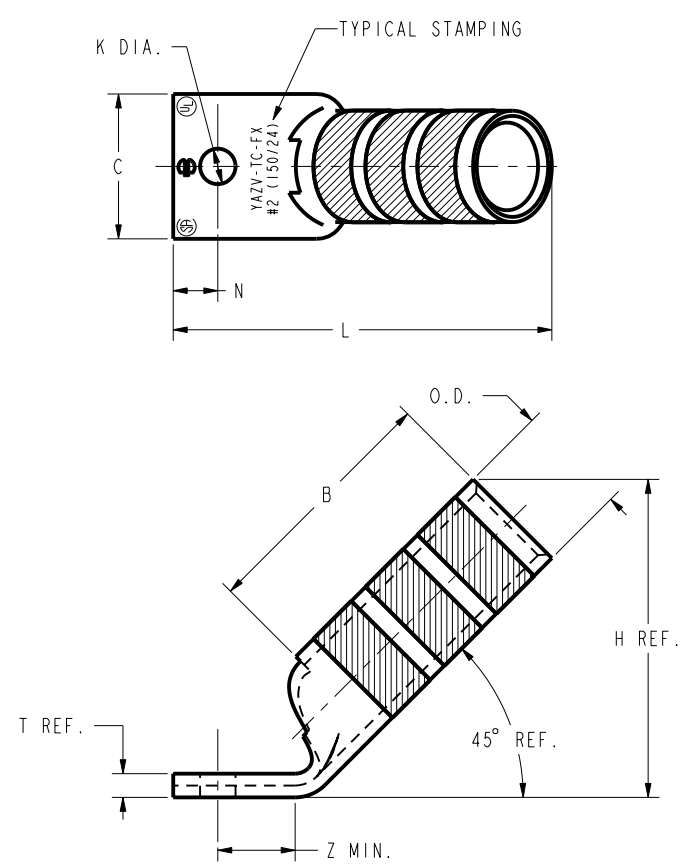
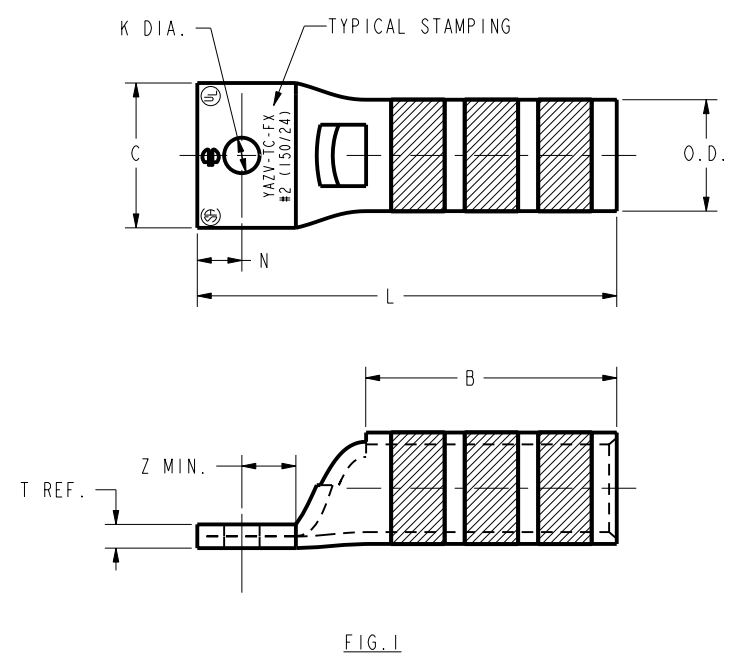


CATALOG NO.	CONDUCTOR		BOLT SIZE	FIG. NO.	DIMENSIONS								INSTALLATION TOOLING (# CRIMPS)											
	FLEX	CODE (AWG)			B	C	H	K DIA.	L	N	O.D.	T REF.	Z MIN.	DIE INDEX	COLOR CODE	MECHANICAL			HYDRAULIC				DIELESS (# CRIMPS)	WIRE STRIP LENGTH
																MD7-34R MD6	OUR840	Y2MR	BCT500 Y500CT	Y750 Y35, PAT35 Y39, PAT750	Y46	Y45		
YAZV2CTC14FX	#2 WELD 125/24 150/24	#2 AWG	1/4 [M6]	1	.68 [17]	--	.27	2.37 [60]	.31 [8]	.46 [12]	.10 [3]	.33 [8]	10	BROWN	W2CVT X2CRT W2CRT (2)	X2CRT W2CVT (2)	BROWN (4)	W2CVT X2CRT W2CRT (2)	U2CRT (2)	U2CRT (2)	U2CRT (2)	MECHANICAL: MY29- 11(1) HYDRAULIC: Y644, Y644M PAT644, Y644MBH (1)	1-7/16	
YAZV2CTC14FX45				2	1.38 [35]	1.57 [40]	1.90 [48]	2.11 [54]	.41 [10]	.10 [3]	.42 [11]	10	BROWN	W2CVT X2CRT W2CRT (2)	X2CRT W2CVT (2)	BROWN (4)	W2CVT X2CRT W2CRT (2)	U2CRT (2)	U2CRT (2)	U2CRT (2)				
YAZV2CTC14FX90				3	1.38 [35]	1.57 [40]	1.90 [48]	2.11 [54]	.41 [10]	.10 [3]	.42 [11]	10	BROWN	W2CVT X2CRT W2CRT (2)	X2CRT W2CVT (2)	BROWN (4)	W2CVT X2CRT W2CRT (2)	U2CRT (2)	U2CRT (2)	U2CRT (2)				
YAZV2CTC38FX	#2 WELD 125/24 150/24	#2 AWG	3/8 [M10]	1	.68 [17]	--	.40	2.56 [65]	.41 [10]	.46 [12]	.10 [3]	.42 [11]	10	BROWN	W2CVT X2CRT W2CRT (2)	X2CRT W2CVT (2)	BROWN (4)	W2CVT X2CRT W2CRT (2)	U2CRT (2)	U2CRT (2)	U2CRT (2)	MECHANICAL: MY29- 11(1) HYDRAULIC: Y644, Y644M PAT644, Y644MBH (1)	1-7/16	
YAZV2CTC38FX45				2	1.38 [35]	1.57 [40]	1.90 [48]	2.30 [58]	.53 [13]	.09 [2]	.55 [14]	10	BROWN	W2CVT X2CRT W2CRT (2)	X2CRT W2CVT (2)	BROWN (4)	W2CVT X2CRT W2CRT (2)	U2CRT (2)	U2CRT (2)	U2CRT (2)				
YAZV2CTC38FX90				3	1.38 [35]	1.57 [40]	1.90 [48]	2.30 [58]	.53 [13]	.09 [2]	.55 [14]	10	BROWN	W2CVT X2CRT W2CRT (2)	X2CRT W2CVT (2)	BROWN (4)	W2CVT X2CRT W2CRT (2)	U2CRT (2)	U2CRT (2)	U2CRT (2)				
YAZV2CTC12FX	#2 WELD 125/24 150/24	#2 AWG	1/2 [M12]	1	.77 [20]	--	.52	2.87 [73]	.53 [13]	.46 [12]	.09 [2]	.55 [14]	10	BROWN	W2CVT X2CRT W2CRT (2)	X2CRT W2CVT (2)	BROWN (4)	W2CVT X2CRT W2CRT (2)	U2CRT (2)	U2CRT (2)	U2CRT (2)	MECHANICAL: MY29- 11(1) HYDRAULIC: Y644, Y644M PAT644, Y644MBH (1)	1-7/16	
YAZV2CTC12FX45				2	1.38 [35]	1.82 [46]	1.70 [43]	2.56 [65]	.53 [13]	.09 [2]	.55 [14]	10	BROWN	W2CVT X2CRT W2CRT (2)	X2CRT W2CVT (2)	BROWN (4)	W2CVT X2CRT W2CRT (2)	U2CRT (2)	U2CRT (2)	U2CRT (2)				
YAZV2CTC12FX90				3	1.38 [35]	1.82 [46]	1.70 [43]	2.56 [65]	.53 [13]	.09 [2]	.55 [14]	10	BROWN	W2CVT X2CRT W2CRT (2)	X2CRT W2CVT (2)	BROWN (4)	W2CVT X2CRT W2CRT (2)	U2CRT (2)	U2CRT (2)	U2CRT (2)				



NOTES:

- MATERIAL: COPPER TUBING.
- FINISH: TIN PLATED
- CATALOG # PT6515 ADAPTOR IS REQUIRED TO USE " U " DIES IN Y45 SERIES TOOLS.
- CATALOG # PUADP-1 ADAPTOR IS REQUIRED TO USE " U " DIES IN Y46 SERIES TOOLS.
- PERMANENT DIE IN TOOLING.
- DIMENSIONS IN BRACKETS [] ARE IN MILLIMETERS. DIMENSIONS ARE ROUNDED OFF TO THE NEAREST MILLIMETER, UNLESS OTHERWISE NOTED, AND ARE FOR REFERENCE ONLY.
- UL LISTED AND CSA CERTIFIED CONNECTOR.

TO ORDER BURNDY® PRODUCTS CALL
 UNITED STATES
 1-800-346-4175 (LONDONDERRY, NH)
 CANADA:
 1-800-361-6975 (QUEBEC)
 1-800-387-6487 (ALL OTHER PROVINCES)
 FOR PRODUCT INFO: <http://www.burndy.com>

HYLUGS™ (ONE HOLE FLEX)

ITEM NO: --
 CAT. NO: YAZV2C-TC (TABLE)
 DRAWN BY: D. BOISVERT 08/22/00
 CHECKER: J. MICHARD 08/28/00
 DSN APPVL: J. MICHARD 08/21/00
 MFG APPVL: T. THRELFALL
 QA APPVL: T. WATTS
 MKT APPVL: J. SYLVIA
 PROD FAM: CM&R COMPRESSION
 PROJECT #: --
 DOCUMENT TYPE: Sales
 REL LEVEL: Released

SCALE: 1:1
 DRAWING NO: SE212448
 SHEET 4 OF 16

REV	DATE	DESCRIPTION	ECO	BY	C'H'K'
B	12/16/2013 11:26:00 AM	DRAWING RELEASED	34098	GV	MB

REV: PE0200