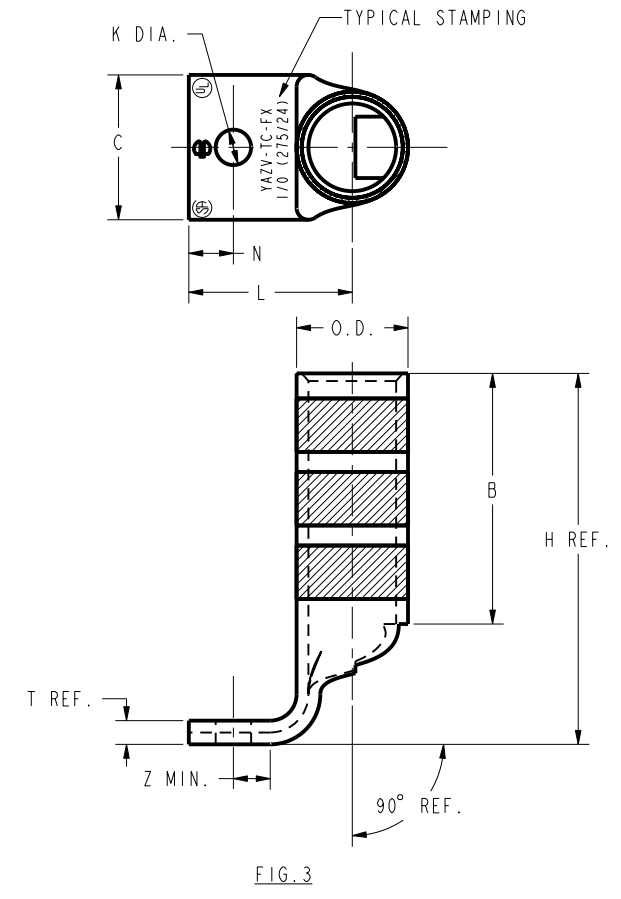
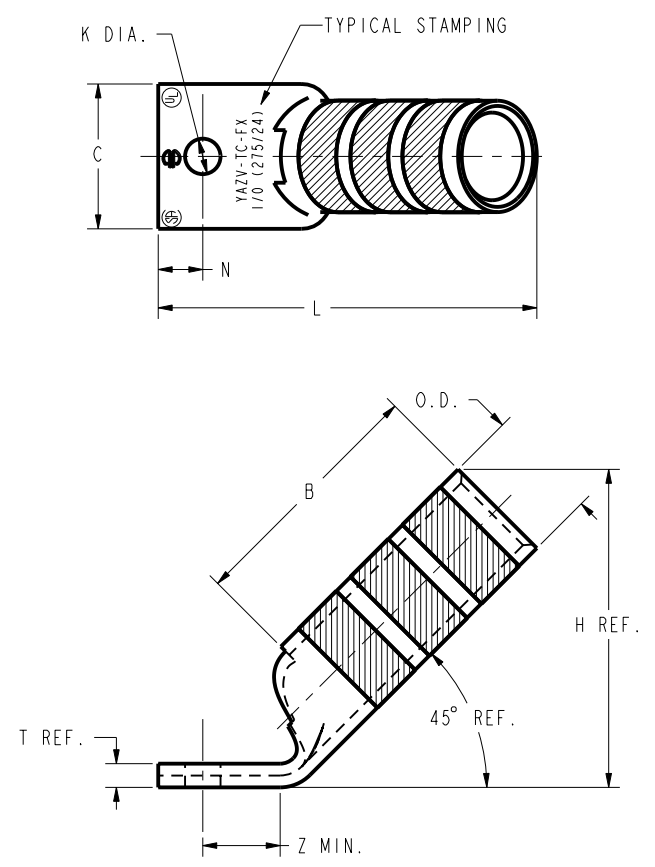
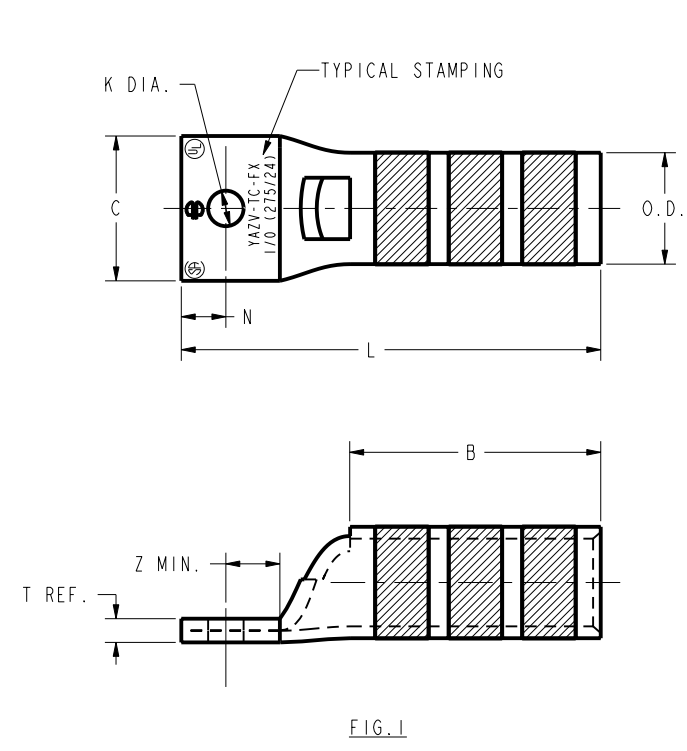


CATALOG NO.	CONDUCTOR		BOLT SIZE	FIG. NO.	DIMENSIONS								INSTALLATION TOOLING (# CRIMPS)												
	FLEX	CODE (AWG)			B	C	H	K DIA.	L	N	O.D.	T REF.	Z MIN.	DIE INDEX	COLOR CODE	MECHANICAL		HYDRAULIC			DIELESS (# CRIMPS)	WIRE STRIP LENGTH			
																MD7-34R	OUR840	BCT500 Y500CT	Y750 Y35,PAT35 Y39,PAT750	Y46 PAT46			Y45		
YAZV25TC14FX	1/0 WELD 275/24	1/0 AWG	1.50 [38]	.83 [21]	--	.27 [7]	2.56 [65]	.31 [8]	.56 [14]	.12 [3]	.33 [8]	12 OR 348	PINK	W25VT X25RT W25RT (4)	X25RT W25VT (4)	W25VT X25RT W25RT (4)	U25RT (2)	U25RT (2)	U25RT (2)	MECHANICAL: MY29-11(1)  HYDRAULIC: Y644,Y644M PAT644, Y644MBH (1)	1-9/16				
YAZV25TC14FX45			2	1.78 [45]	.40 [10]	2.29 [58]	2.12 [54]	1.03 [26]	2.75 [70]	.41 [10]	.42 [11]	12 OR 348	PINK	W25VT X25RT W25RT (4)	X25RT W25VT (4)	W25VT X25RT W25RT (4)	U25RT (2)	U25RT (2)	U25RT (2)						
YAZV25TC14FX90			3	2.12 [54]	.40 [10]	1.03 [26]	2.75 [70]	.41 [10]	.42 [11]	12 OR 348	PINK	W25VT X25RT W25RT (4)	X25RT W25VT (4)	W25VT X25RT W25RT (4)	U25RT (2)	U25RT (2)	U25RT (2)								
YAZV25TC38FX			3/8 [M10]	1	--	2.75 [70]	.41 [10]	.42 [11]	12 OR 348	PINK	W25VT X25RT W25RT (4)	X25RT W25VT (4)	W25VT X25RT W25RT (4)	U25RT (2)	U25RT (2)	U25RT (2)									
YAZV25TC38FX45				2	1.78 [45]	.40 [10]	2.47 [63]	.53 [13]	.55 [14]	12 OR 348	PINK	W25VT X25RT W25RT (4)	X25RT W25VT (4)	W25VT X25RT W25RT (4)	U25RT (2)	U25RT (2)	U25RT (2)								
YAZV25TC38FX90				3	2.12 [54]	.40 [10]	1.22 [31]	3.00 [76]	.53 [13]	.55 [14]	12 OR 348	PINK	W25VT X25RT W25RT (4)	X25RT W25VT (4)	W25VT X25RT W25RT (4)	U25RT (2)	U25RT (2)	U25RT (2)							
YAZV25TC12FX			1/0 WELD 275/24	1/0 AWG	1	.83 [21]	--	.52 [13]	2.72 [69]	.53 [13]	.56 [14]	.12 [3]	.76 [19]	12 OR 348	PINK	W25VT X25RT W25RT (4)	X25RT W25VT (4)	W25VT X25RT W25RT (4)	U25RT (2)			U25RT (2)	U25RT (2)	MECHANICAL: MY29-11(1)  HYDRAULIC: Y644,Y644M PAT644, Y644MBH (1)	1-9/16
YAZV25TC12FX45					2	1.78 [45]	.52 [13]	2.72 [69]	.53 [13]	.55 [14]	12 OR 348	PINK	W25VT X25RT W25RT (4)	X25RT W25VT (4)	W25VT X25RT W25RT (4)	U25RT (2)	U25RT (2)	U25RT (2)							
YAZV25TC12FX90					3	2.12 [54]	.52 [13]	1.46 [37]	3.00 [76]	.53 [13]	.55 [14]	12 OR 348	PINK	W25VT X25RT W25RT (4)	X25RT W25VT (4)	W25VT X25RT W25RT (4)	U25RT (2)	U25RT (2)	U25RT (2)						
YAZV25TC34FX	3/4 [M20]	1	1.50 [38]	1.02 [26]	--	.81 [21]	3.52 [89]	.75 [19]	.56 [14]	.10 [3]	.76 [19]	12 OR 348	PINK	W25VT X25RT W25RT (4)	X25RT W25VT (4)	W25VT X25RT W25RT (4)	U25RT (2)	U25RT (2)	U25RT (2)						



- NOTES:
- MATERIAL: COPPER TUBING.
  - FINISH: TIN PLATED
  - CATALOG # PT6515 ADAPTOR IS REQUIRED TO USE " U " DIES IN Y45 SERIES TOOLS.
  - CATALOG # PUADP-1 ADAPTOR IS REQUIRED TO USE " U " DIES IN Y46 SERIES TOOLS.
  - DIMENSIONS IN BRACKETS [ ] ARE IN MILLIMETERS. DIMENSIONS ARE ROUNDED OFF TO THE NEAREST MILLIMETER, UNLESS OTHERWISE NOTED, AND ARE FOR REFERENCE ONLY.
  - UL LISTED AND CSA CERTIFIED CONNECTOR.

TO ORDER BURNDY® PRODUCTS CALL  
 UNITED STATES  
 1-800-346-4175 (LONDONDERRY, NH)  
 CANADA:  
 1-800-361-6975 (QUEBEC)  
 1-800-387-6487 (ALL OTHER PROVINCES)  
 FOR PRODUCT INFO: <http://www.burndy.com>

HYLUGS™ (ONE HOLE FLEX)

ITEM NO: --  
 CAT. NO: YAZV25-TC (TABLE)  
 DRAWN BY: D. BOISVERT 08/22/00  
 CHECKER: J. MICHAUD 08/28/00  
 DSN APPVL: J. MICHAUD 08/21/00  
 MFG APPVL: T. THRELFALL  
 QA APPVL: T. WATTS  
 MKT APPVL: J. SYLVIA --  
 PROD FAM: CM&R COMPRESSION  
 PROJECT #: --  
 DOCUMENT TYPE: Sales  
 REL LEVEL: Released

SCALE: 1:1  
 DRAWING NO: SE212448  
 SHEET 6 OF 16

**BURNDY**

REV	DATE	DESCRIPTION	ECO	BY	C'H'K.
C	12/16/2013 11:26:00 AM	DRAWING RELEASED	34098	GV	MB

REV: PE0200