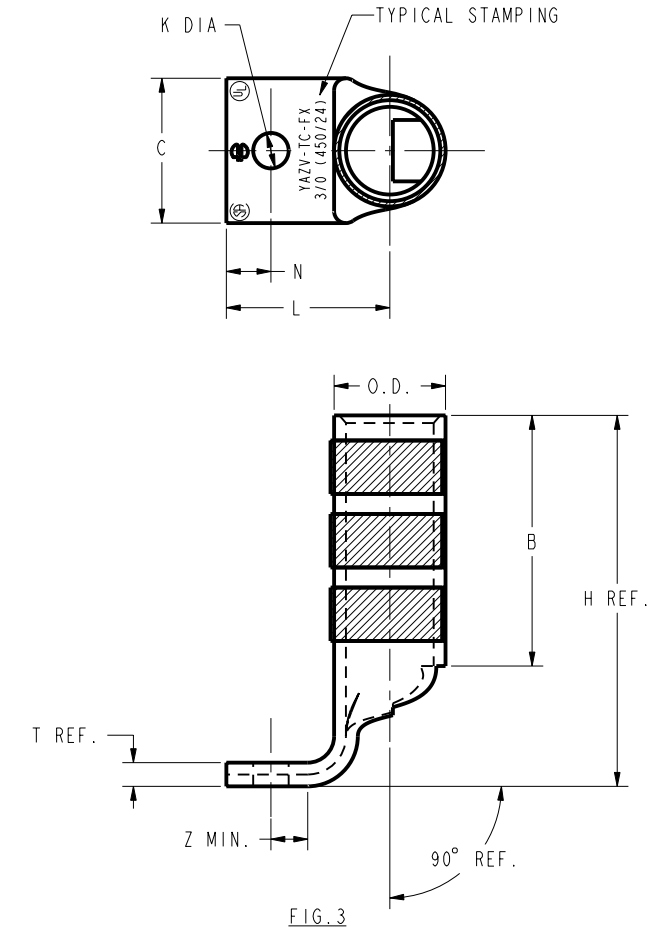
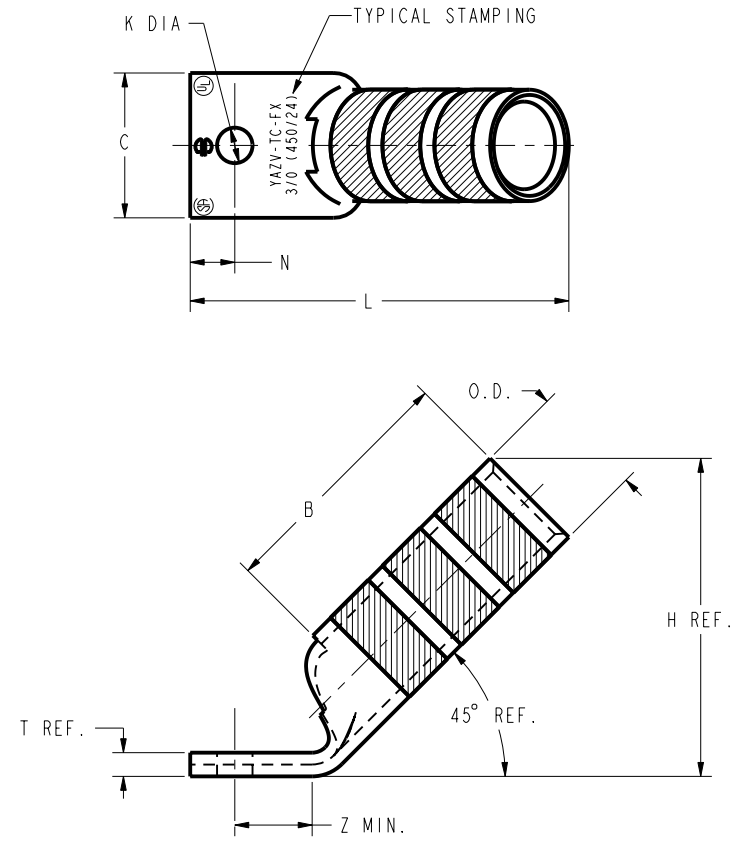
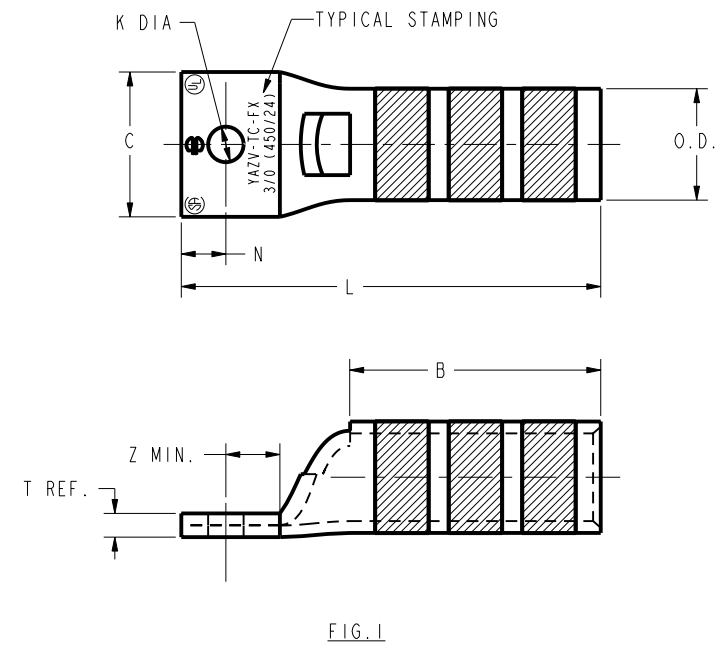


DRAWING NO.
SE212448

CATALOG NO.	CONDUCTOR		BOLT SIZE	FIG. NO.	DIMENSIONS								INSTALLATION TOOLING (# CRIMPS)								DIELESS (# CRIMPS)	WIRE STRIP LENGTH	
	FLEX	CODE (AWG)			B	C	H	K DIA.	L	N	O.D.	T REF.	Z MIN.	DIE INDEX	COLOR CODE	MECHANICAL		HYDRAULIC					
																MD7-34R	OUR840	BCT500 Y500CT	Y750 Y35,PAT35 Y39,PAT750	Y46			Y45
YAZV27TC38FX				1			--		2.84 [72]									MECHANICAL: MY29-11(1)					
YAZV27TC38FX45	3/0 WELD 450/24	3/0 AWG	3/8 [M10]	2	1.50 [38]	1.03 [26]	1.94 [49]	.40 [10]	2.58 [66]	.41 [10]	.70 [18]	.14 [4]	.42 [11]	14	ORANGE	W27VT X27RT W27RT (4)	X27RT W27VT (4)	W27VT X27RT W27RT (4)	U27RT (2)	U27RT (2)	U27RT (2)	HYDRAULIC: Y644, Y644M PAT644, Y644MBH (1)	1-9/16
YAZV27TC38FX90				3			2.24 [57]		1.29 [33]														

REV	DATE	DESCRIPTION	ECO	BY	C'H'K.
B	12/16/2013 11:26:00 AM	DRAWING RELEASED	34098	GV	MB



- NOTES:
- MATERIAL: COPPER TUBING.
 - FINISH: TIN PLATED
 - CATALOG # PT6515 ADAPTOR IS REQUIRED TO USE " U " DIES IN Y45 SERIES TOOLS.
 - CATALOG # PUADP-1 ADAPTOR IS REQUIRED TO USE " U " DIES IN Y46 SERIES TOOLS.
 - DIMENSIONS IN BRACKETS [] ARE IN MILLIMETERS. DIMENSIONS ARE ROUNDED OFF TO THE NEAREST MILLIMETER, UNLESS OTHERWISE NOTED, AND ARE FOR REFERENCE ONLY.
 - UL LISTED AND CSA CERTIFIED CONNECTOR.

TO ORDER BURNDY® PRODUCTS CALL		HYLUGS™ (ONE HOLE FLEX)	
UNITED STATES 1-800-346-4175 (LONDONDERRY, NH)		ITEM NO: --	
CANADA: 1-800-361-6975 (QUEBEC) 1-800-387-6487 (ALL OTHER PROVINCES)		CAT. NO: YAZV27-TC (TABLE)	
FOR PRODUCT INFO: http://www.burndy.com		DRAWN BY: D. BOISVERT 08/22/00	
		CHECKER: J. MICHAUD 08/28/00	
		DSN APPVL: J. MICHAUD 08/21/00	
		MFG APPVL: T. THRELFALL	
		QA APPVL: T. WATTS	
		MKT APPVL: J. SYLVIA	
		PROJ APPVL: J. SYLVIA	
		PROD FAM: CM&R COMPRESSION	
		DRAWING NO: SE212448	
		PROJECT #: --	
		SIZE: D	
		DOCUMENT TYPE: Sales	
		REL LEVEL: Released	
		SCALE: 1:1	
		SHEET 8 OF 16	

REV: PE0200