

CATALOG NO.	CONDUCTOR		BOLT SIZE	FIG. NO.	DIMENSIONS								INSTALLATION TOOLING (# CRIMPS)							WIRE STRIP LENGTH		
	FLEX	CODE (AWG)			B ±.08	C +.04 -.02	H REF.	K DIA. ±.02	L ±.12	N ±.03	O.D. ±.01	T REF.	Z MIN.	DIE INDEX	COLOR CODE	MECHANICAL		HYDRAULIC			DIELESS (# CRIMPS)	
YAZV29NT516FX	4/0 FLEX CLASS I, K, M	250 CODE	5/16 [M8]	1		--		3.27 [83]													HYDRAULIC: Y644, Y644M PAT644, Y644MBH (2)	2-1/16
YAZV29NT516FX45				2	2.00 [51]	1.20 [30]	2.41 [61]	.33 [8]	2.89 [73]	.34 [19]	.80 [20]	.16 [4]	.36 [9]	16	YELLOW	W29VT (4)	W29VT (4)	U29RT (2)	U29RT (2)	U29RT (2)		
YAZV29NT516FX90				3			2.85 [72]		1.23 [31]													
YAZV29TC38FX	4/0 FLEX CLASS I, K, M	250 CODE	3/8 [M10]	1		--		3.40 [86]													HYDRAULIC: Y644, Y644M PAT644, Y644MBH (2)	2-1/16
YAZV29TC38FX45				2	2.00 [51]	1.18 [30]	2.41 [61]	.41 [10]	3.02 [76]	.41 [10]	.80 [20]	.16 [4]	.42 [10]	16	YELLOW	W29VT (4)	W29VT (4)	U29RT (2)	U29RT (2)	U29RT (2)		
YAZV29TC38FX90				3			2.85 [72]		1.35 [34]													

REV	DATE	DESCRIPTION	ECO	BY	C'H'K.
B	12/16/2013 11:26:00 AM	DRAWING RELEASED	34098	GV	MB

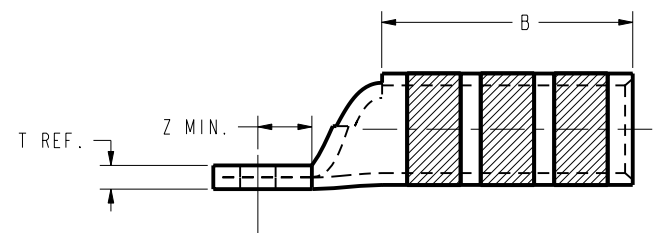
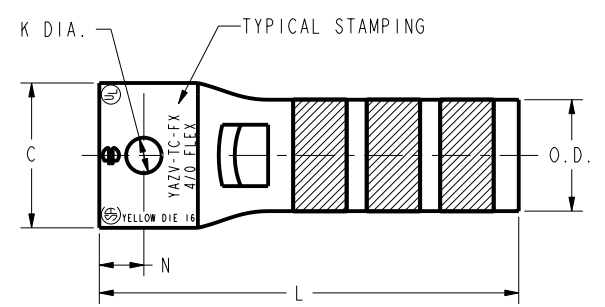


FIG. 1

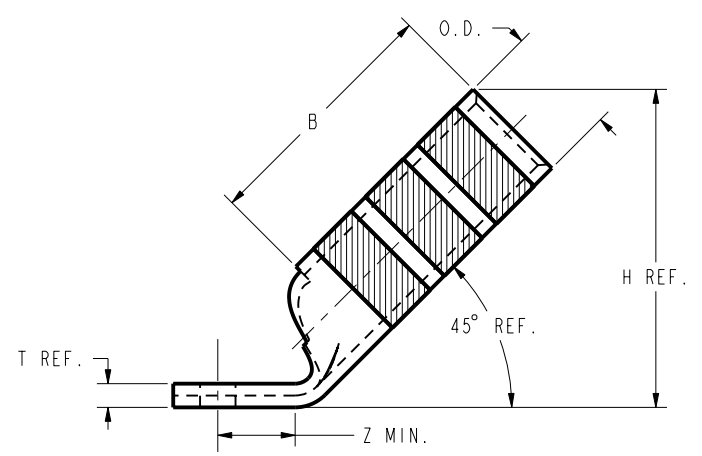
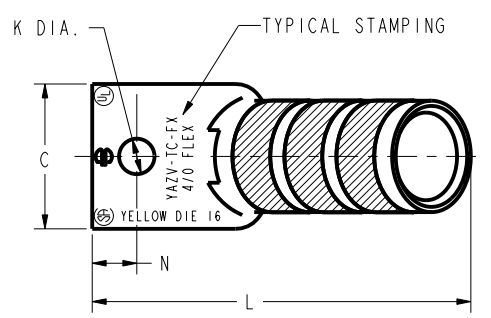


FIG. 2

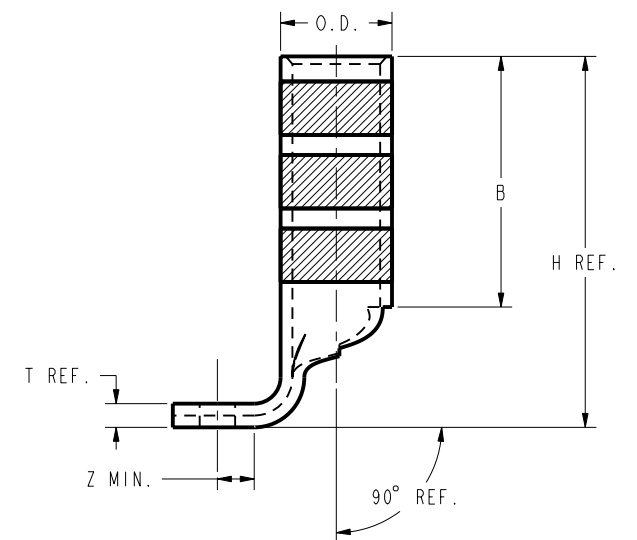
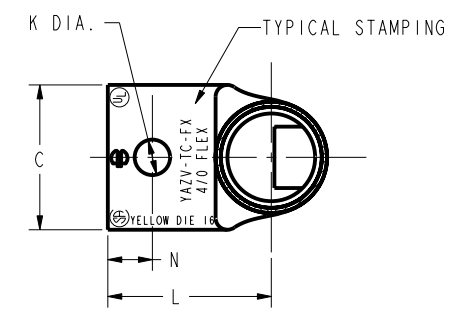


FIG. 3

NOTES:

- MATERIAL: COPPER TUBING.
- FINISH: TIN PLATED
- CATALOG # PT6515 ADAPTOR IS REQUIRED TO USE " U " DIES IN Y45 SERIES TOOLS.
- CATALOG # PUADP-1 ADAPTOR IS REQUIRED TO USE " U " DIES IN Y46 SERIES TOOLS.
- DIMENSIONS IN BRACKETS [] ARE IN MILLIMETERS. DIMENSIONS ARE ROUNDED OFF TO THE NEAREST MILLIMETER, UNLESS OTHERWISE NOTED, AND ARE FOR REFERENCE ONLY.
- UL LISTED AND CSA CERTIFIED CONNECTOR.

TO ORDER BURNDY® PRODUCTS CALL UNITED STATES 1-800-346-4175 (LONDONDERRY, NH) CANADA: 1-800-361-6975 (QUEBEC) 1-800-387-6487 (ALL OTHER PROVINCES) FOR PRODUCT INFO: http://www.burndy.com	HYLUGS™ (ONE HOLE FLEX)	
	ITEM NO: --	SCALE: 1:1
	CAT. NO: YAZV29-NT (TABLE)	
	DRAWN BY: D. BOISVERT 08/22/00	SIZE: D
	CHECKER: J. MICHAUD 08/28/00	DRAWING NO: SE212448
	DSN APPVL: J. MICHAUD 08/21/00	REV: B
MFG APPVL: T. THRELFALL	SHEET 10 OF 16	
QA APPVL: T. WATTS		
MKT APPVL: J. SYLVIA		
PROD FAM: CM&R COMPRESSION		
REL LEVEL: Released		

REV: PE0200