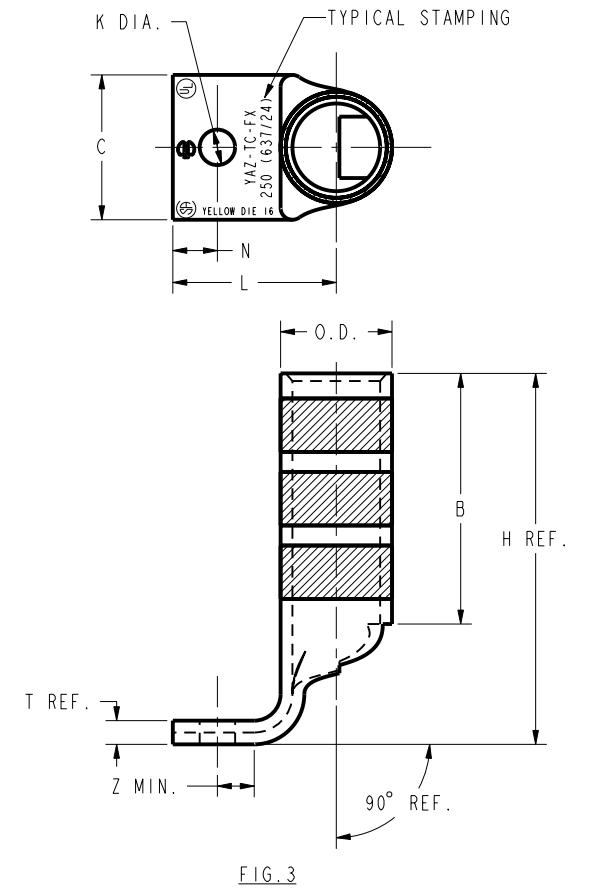
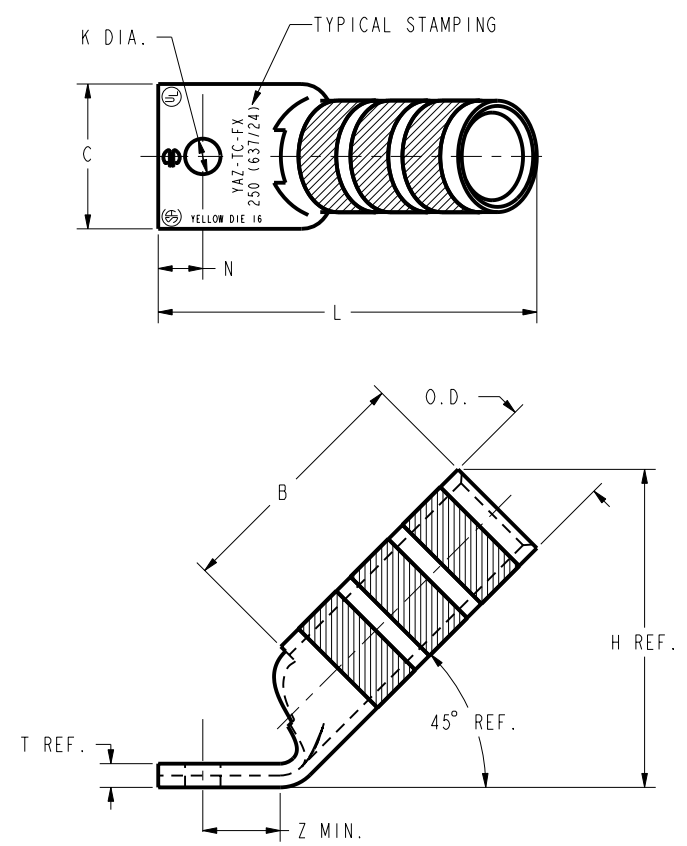
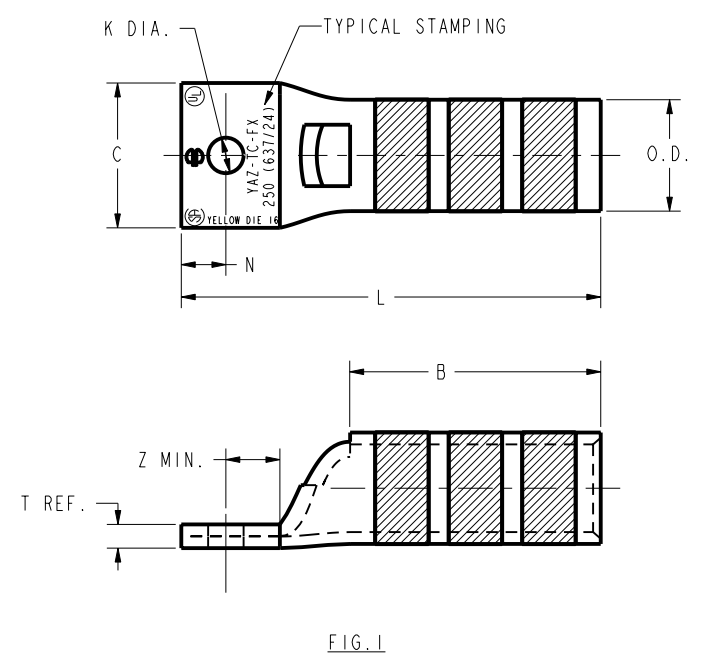


DRAWING NO.
SE212448

CATALOG NO.	CONDUCTOR		BOLT SIZE	FIG. NO.	DIMENSIONS								INSTALLATION TOOLING (# CRIMPS)							DIELESS (# CRIMPS)	WIRE STRIP LENGTH			
	FLEX	CODE (AWG)			B	C	H	K DIA.	L	N	O.D.	T REF.	Z MIN.	DIE INDEX	COLOR CODE	MECHANICAL	HYDRAULIC							
YAZ30TC38FX	250 FLEX CLASS G: 259 STR CLASS H: 427 STR	--	3/8 [M10]	1																				
YAZ30TC38FX45				2	2.00 [51]	1.20 [30]	2.44 [62]	.40 [10]	3.03 [77]	.41 [10]	.81 [21]	.16 [4]	.42 [11]	16	YELLOW	W29VT (4)	W29VT (4)	Y750 Y35, PAT35 Y39, PAT750	Y46 (2)	Y45 (2)	HYDRAULIC: Y644, Y644M PAT644, Y644MBH (2)	2-1/16		
YAZ30TC38FX90				3			2.86 [73]		1.36 [35]															

REV	DATE	DESCRIPTION	ECO	BY	C'H'K.
B	12/16/2013 11:26:00 AM	DRAWING RELEASED	34098	GV	MB



NOTES:

1. MATERIAL: COPPER TUBING.
2. FINISH: TIN PLATED
3. CATALOG # PT6515 ADAPTOR IS REQUIRED TO USE " U " DIES IN Y45 SERIES TOOLS.
4. CATALOG # PUADP-1 ADAPTOR IS REQUIRED TO USE " U " DIES IN Y46 SERIES TOOLS.
5. DIMENSIONS IN BRACKETS [] ARE IN MILLIMETERS. DIMENSIONS ARE ROUNDED OFF TO THE NEAREST MILLIMETER, UNLESS OTHERWISE NOTED, AND ARE FOR REFERENCE ONLY.
6. UL LISTED AND CSA CERTIFIED CONNECTOR.

TO ORDER BURNDY® PRODUCTS CALL		HYLUGS™ (ONE HOLE FLEX)	
UNITED STATES 1-800-346-4175 (LONDONDERRY, NH)		ITEM NO: --	SCALE: 1:1
CANADA: 1-800-361-6975 (QUEBEC) 1-800-387-6487 (ALL OTHER PROVINCES)		CAT. NO: YAZ30-TC (TABLE)	REV
FOR PRODUCT INFO: http://www.burndy.com		DRAWN BY: D. BOISVERT 08/22/00	
		CHECKER: J. MICHAUD 08/28/00	
		DSN APPVL: J. MICHAUD 08/21/00	
		MFG APPVL: T. THRELFALL	
		QA APPVL: T. WATTS	
		MKT APPVL: J. SYLVIA	
		PROD FAM: CM&R COMPRESSION	DRAWING NO
		PROJECT #: --	SE212448
		DOCUMENT TYPE: Sales	SHEET 11 OF 16
		REL LEVEL: Released	B

REV: PE0200