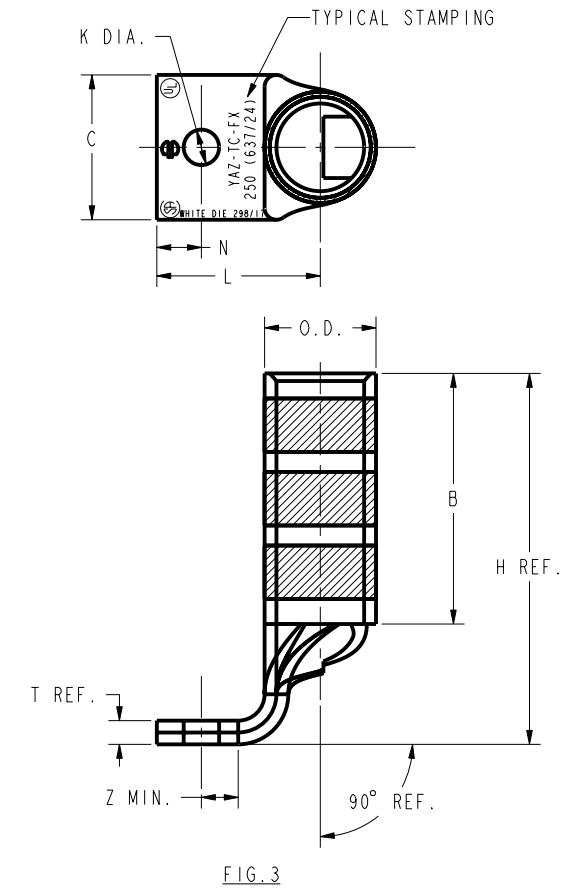
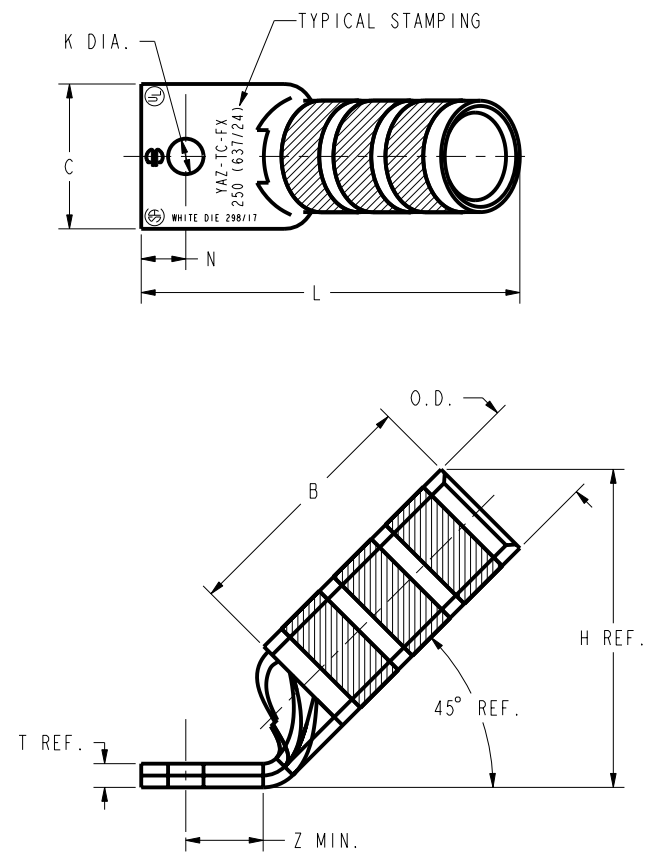
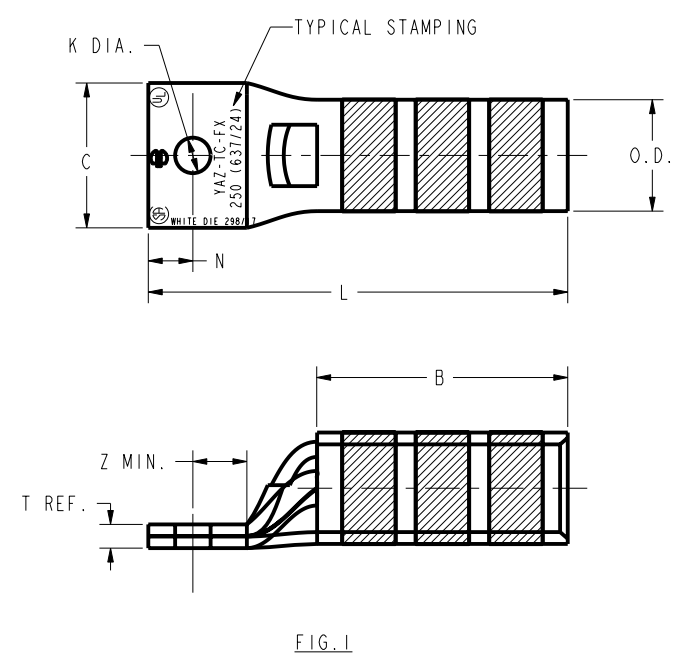


CATALOG NO.	CONDUCTOR		BOLT SIZE	FIG. NO.	DIMENSIONS								INSTALLATION TOOLING (# CRIMPS)																				
	FLEX	CODE (AWG)			B	C	H	K DIA.	L	N	O.D.	T REF.	Z MIN.	DIE INDEX	COLOR CODE	MECHANICAL	HYDRAULIC				DIELESS (# CRIMPS)	WIRE STRIP LENGTH											
YAZ31TC38FX	250 FLEX 637/24 CLASS I, K,M	--	3/8 [M10]	1	2.00 [51]	1.29 [33]	--	.40 [10]	3.44 [87]	.41 [10]	.88 [22]	.18 [5]	.42 [11]	17 OR 298	WHITE	W30VT (4)	W30VT (4)	Y750, PAT750 Y35, PAT35 Y39, PAT750	Y46 (4)	Y45 (3)	HYDRAULIC: Y644, Y644M PAT644, Y644MBH PAT644M (2)	2-1/16											
YAZ31TC38FX45				2			2.51 [64]		3.09 [78]					17 OR 298																			
YAZ31TC38FX90				3			2.92 [74]		1.40 [36]					17 OR 298																			
YAZ31TC12FX				1			--		3.69 [94]					.53 [13]									.88 [22]	.18 [5]	.54 [14]	17 OR 298	WHITE	W30VT (4)	W30VT (4)	U30RT (2)	U30RT (2)	U30RT (2)	2-1/16
YAZ31TC12FX45				2			2.51 [64]		3.34 [85]																								
YAZ31TC12FX90				3			2.92 [74]		1.65 [42]																								

REV	DATE	DESCRIPTION	ECO	BY	C'H'K.
C	12/16/2013 11:26:00 AM	DRAWING RELEASED	34098	GV	MB



NOTES:

1. MATERIAL: COPPER TUBING.
2. FINISH: TIN PLATED
3. CATALOG # PT6515 ADAPTOR IS REQUIRED TO USE " U " DIES IN Y45 SERIES TOOLS.
4. CATALOG # PUADP-1 ADAPTOR IS REQUIRED TO USE " U " DIES IN Y46 SERIES TOOLS.
5. DIMENSIONS IN BRACKETS [] ARE IN MILLIMETERS. DIMENSIONS ARE ROUNDED OFF TO THE NEAREST MILLIMETER, UNLESS OTHERWISE NOTED, AND ARE FOR REFERENCE ONLY.
6. UL LISTED AND CSA CERTIFIED CONNECTOR.

TO ORDER BURNDY® PRODUCTS CALL		HYLUGS™ (ONE HOLE FLEX)	
UNITED STATES 1-800-346-4175 (LONDONDERRY, NH)		ITEM NO: --	SCALE: 1:1
CANADA: 1-800-361-6975 (QUEBEC) 1-800-387-6487 (ALL OTHER PROVINCES)		CAT. NO: YAZ31-TC (TABLE)	REV
FOR PRODUCT INFO: http://www.burndy.com		DRAWN BY: D. BOISVERT 08/22/00	C
		CHECKER: J. MICHAUD 08/21/00	
		DSN APPVL: J. MICHAUD 08/21/00	
		MFG APPVL: T. THRELFALL --	
		QA APPVL: T. WATTS --	
		MKT APPVL: J. SYLVIA --	
		PROJ #: --	
		SIZE: D	
		DOCUMENT TYPE: Sales	
		REL LEVEL: Released	
		DRAWING NO: SE212448	
		SHEET 12 OF 16	

REV: PE0200