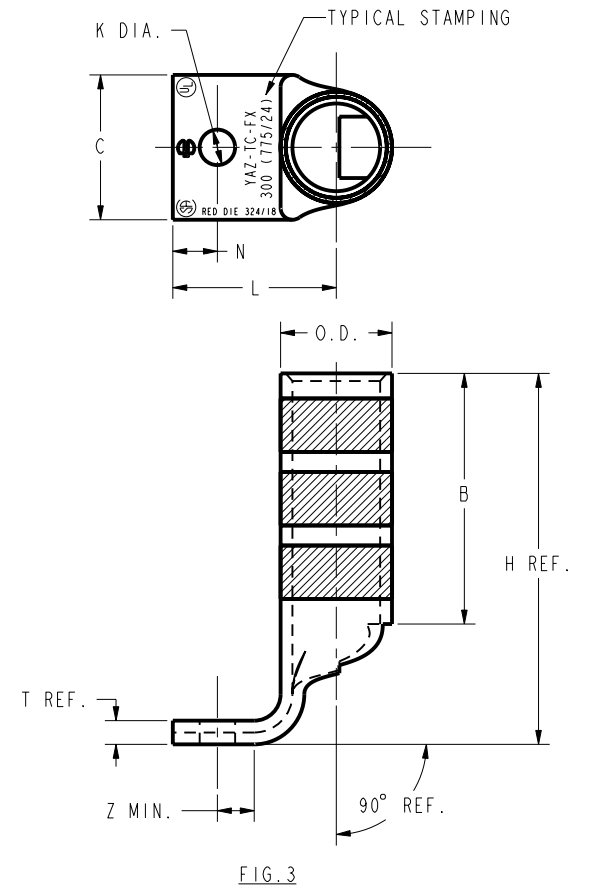
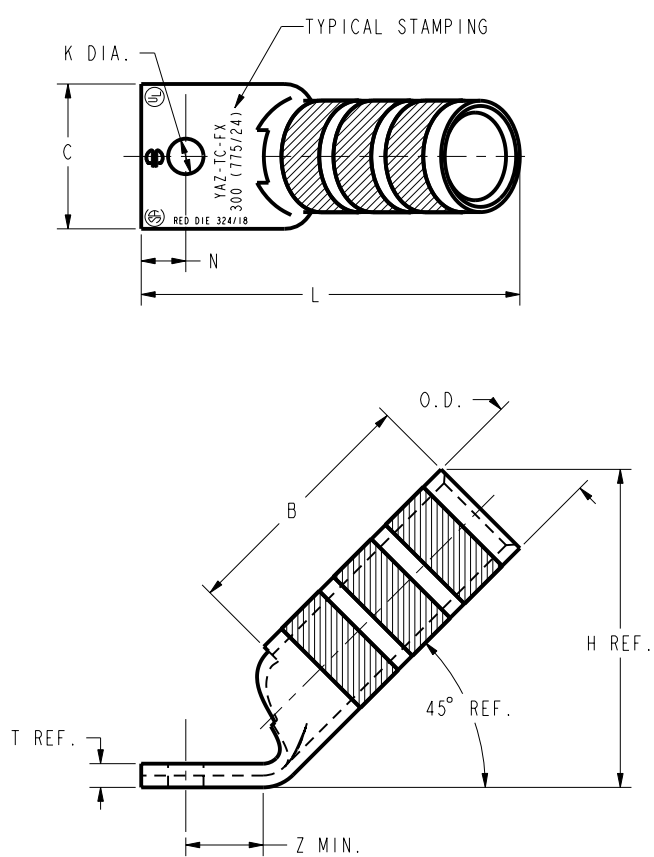
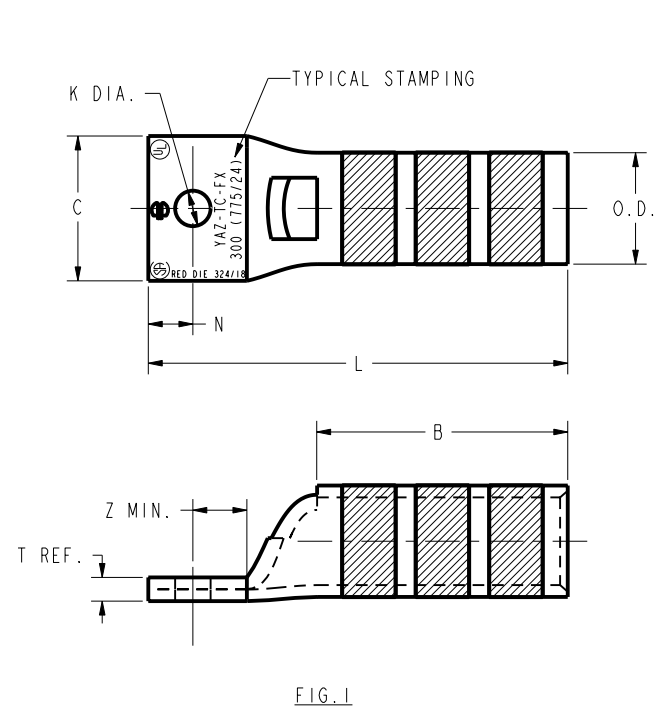


DRAWING NO.  
SE212448

CATALOG NO.	CONDUCTOR		BOLT SIZE	FIG. NO.	DIMENSIONS								INSTALLATION TOOLING (# CRIMPS)									
	FLEX	CODE (AWG)			B	C	H	K DIA.	L	N	O.D.	T REF.	Z MIN.	DIE INDEX	COLOR CODE	MECHANICAL	HYDRAULIC			DIELESS (# CRIMPS)	WIRE STRIP LENGTH	
YAZ32TC38FX	313.1 Kcmil 775/24 (300 Kcmil FLEX)	--	3/8 (M10)	1	2.12 [54]	1.40 [36]	--	.40 [10]	3.61 [92]	.41 [10]	.95 [24]	.19 [5]	.42 [11]	18 OR 324	RED	W31VT (4)	W31VT (4)	Y750, PAT750 Y35, PAT35 Y39, PAT750	Y46 PAT46	Y45	HYDRAULIC: Y644, Y644M PAT644M, Y644MBH, Y81KFT-SERIES Y4PC834-SERIES (2)	2-3/16
2				2.69 [68]			3.24 [82]															
3				3.12 [79]			1.44 [37]															
1				--			.52 [13]		3.86 [98]													

REV	DATE	DESCRIPTION	ECO	BY	C'H'K.
D	12/16/2013 10:00:00 AM	DRAWING RELEASED	34098	GV	MB



NOTES:

- MATERIAL: COPPER TUBING.
- FINISH: TIN PLATED
- CATALOG # PT6515 ADAPTOR IS REQUIRED TO USE " U " DIES IN Y45 SERIES TOOLS.
- CATALOG # PUADP-1 ADAPTOR IS REQUIRED TO USE " U " DIES IN Y46 SERIES TOOLS.
- DIMENSIONS IN BRACKETS [ ] ARE IN MILLIMETERS. DIMENSIONS ARE ROUNDED OFF TO THE NEAREST MILLIMETER, UNLESS OTHERWISE NOTED, AND ARE FOR REFERENCE ONLY.
- UL LISTED AND CSA CERTIFIED CONNECTOR.

TO ORDER BURNDY® PRODUCTS CALL		HYLUGS™ (ONE HOLE FLEX)	
UNITED STATES 1-800-346-4175 (LONDONDERRY, NH)		ITEM NO: --	SCALE: 1:1
CANADA: 1-800-361-6975 (QUEBEC) 1-800-387-6487 (ALL OTHER PROVINCES)		CAT. NO: YAZ32-TC (TABLE)	REV
FOR PRODUCT INFO: <a href="http://www.burndy.com">http://www.burndy.com</a>		DRAWN BY: D. BOISVERT 08/22/00	D
		CHECKER: J. MICHAUD 08/28/00	
		DSN APPVL: J. MICHAUD 08/21/00	
		MFG APPVL: T. THRELFALL	
		QA APPVL: T. WATTS	
		MKT APPVL: J. SYLVIA	
		PROD FAM: CM&R COMPRESSION	DRAWING NO
		PROJECT #: --	SE212448
		DOCUMENT TYPE: Sales	SHEET 13 OF 16
		REL LEVEL: Released	

REV: PE0200