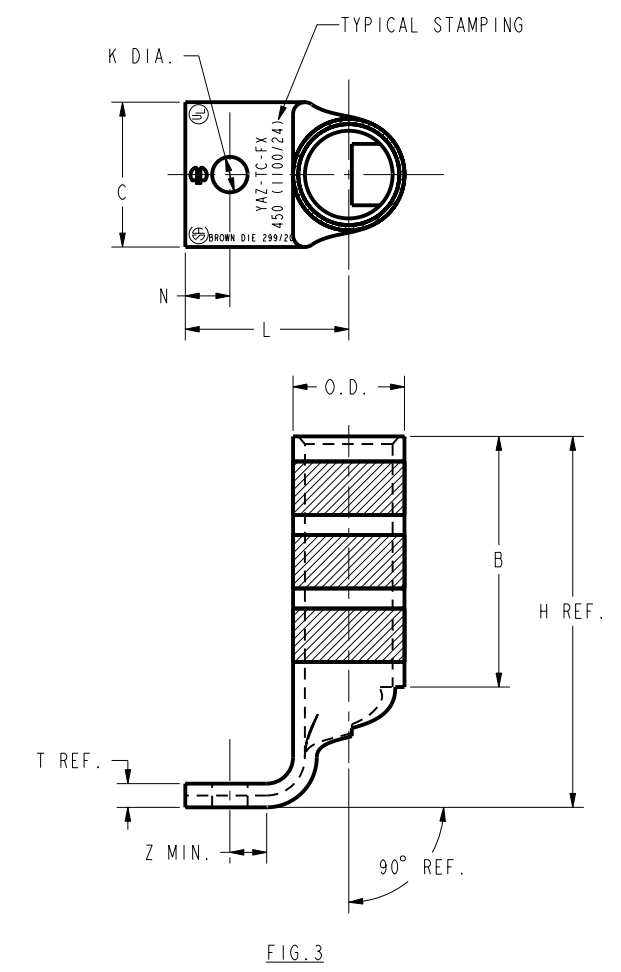
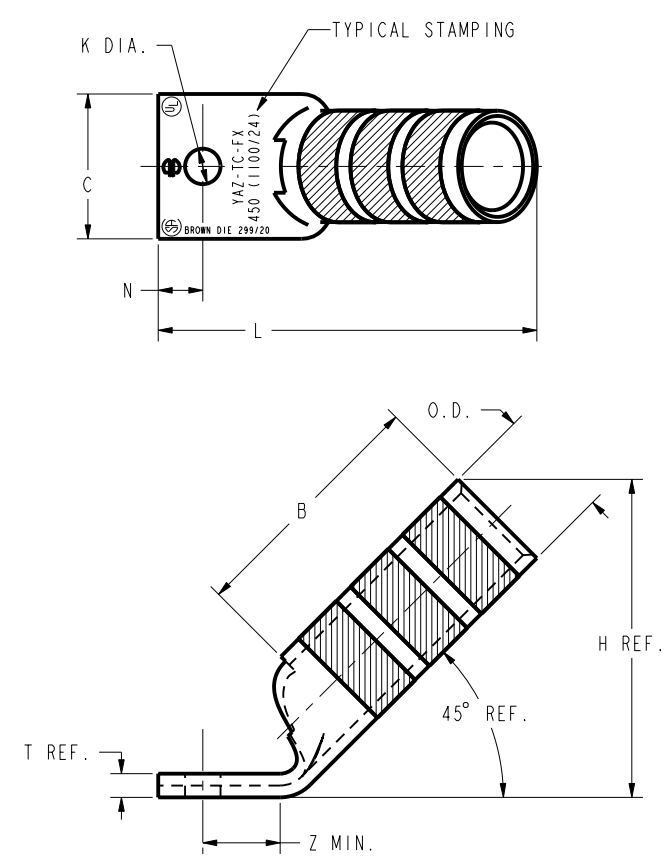
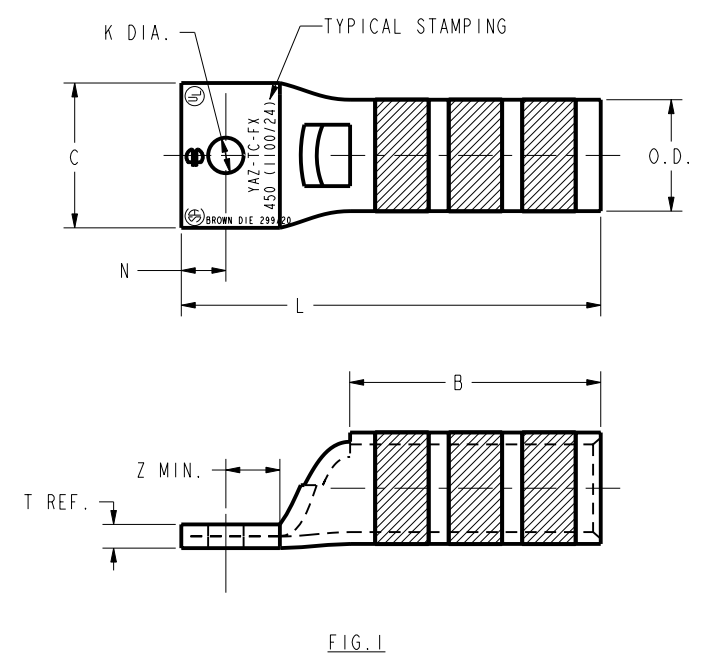


DRAWING NO.  
SE212448

CATALOG NO.	CONDUCTOR		BOLT SIZE	FIG. NO.	DIMENSIONS								INSTALLATION TOOLING (# CRIMPS)							
	FLEX	CODE (AWG)			B ±.09	C ±.06	H REF.	K DIA. ±.02	L ±.15	N ±.06	O.D. ±.01	T REF.	Z MIN.	DIE INDEX	COLOR CODE	HYDRAULIC			DIELESS (# CRIMPS)	WIRE STRIP LENGTH
																Y750 Y35, PAT35 Y39, PAT750	Y46 4	Y45 3		
YAZ36TC38FX	444.4 kcmil 1100/24 (450 kcmil FLEX)	--	3/8 [M10]	1		--		4.54 [115]						20 OR 299	BROWN				HYDRAULIC: Y644, Y644M PAT644, Y644MBH (2)	2-3/4
YAZ36TC38FX45				2	2.69 [68]	1.74 [44]	3.40 [86]	.40 [10]	4.13 [105]	.41 [10]	1.19 [30]	.26 [6]	.42 [11]			U34RT (4)	U34RT (4)	U34RT (4)		
YAZ36TC38FX90				3			3.99 [101]		1.80 [46]											

REV	DATE	DESCRIPTION	ECO	BY	C'H'K.
D	12/16/2013 11:26:00 AM	DRAWING RELEASED	34098	GV	MB



NOTES:

- MATERIAL: COPPER TUBING.
- FINISH: TIN PLATED
- CATALOG # PT6515 ADAPTOR IS REQUIRED TO USE " U " DIES IN Y45 SERIES TOOLS.
- CATALOG # PUADP-1 ADAPTOR IS REQUIRED TO USE " U " DIES IN Y46 SERIES TOOLS.
- DIMENSIONS IN BRACKETS [ ] ARE IN MILLIMETERS. DIMENSIONS ARE ROUNDED OFF TO THE NEAREST MILLIMETER, UNLESS OTHERWISE NOTED, AND ARE FOR REFERENCE ONLY.
- UL LISTED AND CSA CERTIFIED CONNECTOR.

TO ORDER BURNDY® PRODUCTS CALL		HYLUGS™ (ONE HOLE FLEX)	
UNITED STATES 1-800-346-4175 (LONDONDERRY, NH)		ITEM NO: --	SCALE: 1:1
CANADA: 1-800-361-6975 (QUEBEC) 1-800-387-6487 (ALL OTHER PROVINCES)		CAT. NO: YAZ36-TC (TABLE)	REV
FOR PRODUCT INFO: <a href="http://www.burndy.com">http://www.burndy.com</a>		DRAWN BY: D. BOISVERT 08/22/00	D
		CHECKER: J. MICHARD 08/28/00	
		DSN APPVL: J. MICHARD 08/21/00	
		MFG APPVL: T. THRELFALL --	
		QA APPVL: T. WATTS --	
		MKT APPVL: J. SYLVIA --	
		PROD FAM: CM&R COMPRESSION	DRAWING NO
		PROJECT #: --	SE212448
		DOCUMENT TYPE: Sales	SHEET 15 OF 16
		REL LEVEL: Released	

REV: PE0200