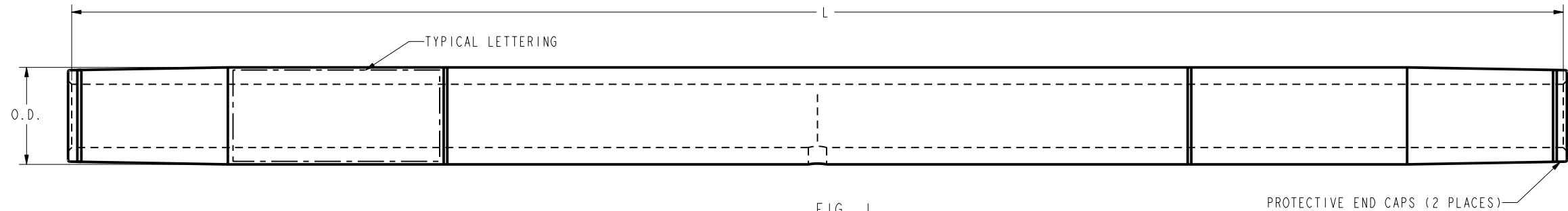


VIEW BEFORE INSTALLATION



BURNDY
HYSPLICE™ YTS36R-T
477 Kcmil ACSR
24-7 26-7 STR
LL0176
OVER LAP CRIMPS
USE BURNDY DIE 720
USE BURNDY PRESS Y60BHU

FIG. 1
ALUMINUM SLEEVE

BURNDY
HYSPLICE™ YTS36RS
FOR STEEL CORE
ACSR OR ACSS
477 kcmil 26-7

START HERE

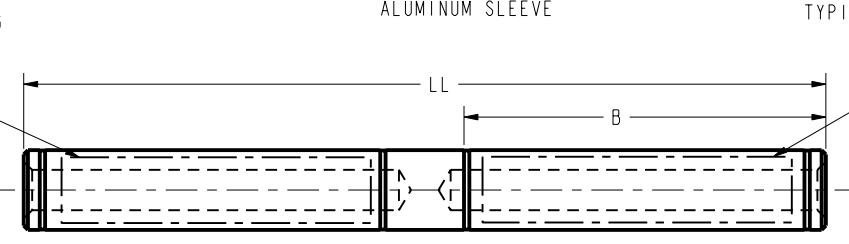
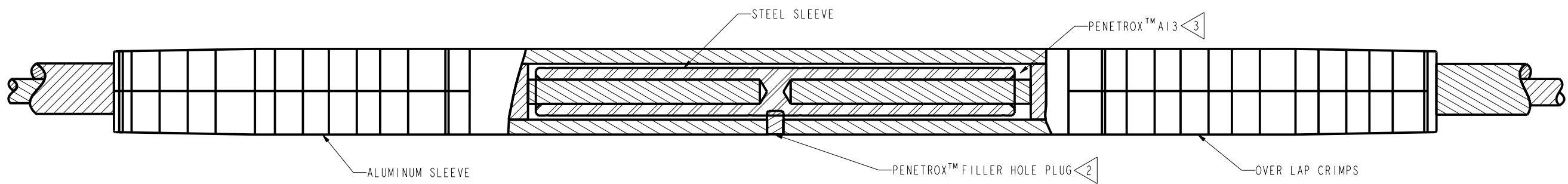


FIG. 2
STEEL SLEEVE

LL0176
OVER LAP CRIMPS
USE BURNDY DIE 721
BURNDY PRESS Y60 BHU

START HERE



VIEW AFTER INSTALLATION

NOTES:

1. BURNDY INSTALLATION DIES MUST BE ORDERED SEPERATELY BY CATALOG NUMBER.
2. 10% EXTRA PLUGS WILL BE FURNISHED WITH ALL ORDERS FOR THE ALUMINUM SLEEVES.
3. PENETROX™ A13 NOT INCLUDED IN CATALOG NUMBER. MAY BE PURCHASED FROM BURNDY®.
4. COMPLETE INSTALLATION INSTRUCTIONS ON DRAWING 30002491.
5. THE EQUIVALENT T&B DIE INDEXES ARE LISTED FOR YOUR CONVENIENCE.
6. FOR VOLTAGE OVER 250KV, SEE SE58062-SHEET 2 (YTS-R-T, YTS-RS). FOR VOLTAGE BELOW 250KV, SEE SE58062-SHEET 3 (YTS-R, YTS-RS).
7. CONNECTOR IS INDIVIDUALLY PACKAGED & SEALED IN POLYTUBE.
8. THESE DIE INDEX'S MAKE A HEXAGONAL CRIMP EXCEPT THE DIE NUMBER '789'.
9. CATALOG # PT6515 ADAPTOR IS REQUIRED TO USE "U" DIES IN Y45 SERIES TOOLS.
10. CATALOG # PUADP-1 ADAPTOR IS REQUIRED TO USE "U" DIES IN Y46 SERIES TOOLS.
11. DIMENSIONS IN BRACKETS [] ARE IN MILLIMETERS ROUNDED OFF TO THE NEAREST MILLIMETER, UNLESS OTHERWISE NOTED, AND ARE FOR REFERENCE ONLY.

TO ORDER BURNDY® PRODUCTS CALL
UNITED STATES
1-800-346-4175 (LONDONDERRY, NH)
CANADA:
1-800-361-6975 (QUEBEC)
1-800-387-6487 (ALL OTHER PROVINCES)
FOR PRODUCT INFO: <http://www.burndy.com>

FULL TENSION HYSPLICE™ KITS			
ITEM NO:	SEE TABLE		
CAT. NO:	SEE TABLE		
DRAWN BY:	JPS	4/13/66	BURNDY
CHECKER:	EPG	5/3/66	
DSN APPVL:	ARM	5/5/66	
MFG APPVL:	--	--	
QA APPVL:	D.VARIO	5/25/95	
MKT APPVL:	--	--	
PROD FAM:	--	--	SCALE: 1:1
PROJECT #:	--	SIZE	DRAWING NO
DOCUMENT TYPE:	Sales	D	SE058062
REL LEVEL:	Released		SHEET 1 OF 3

REV	DATE	DESCRIPTION	ECO	BY	C/H/K
A	7/10/2010 12:00:00 AM	UPDATED AS PER MARKUP	21396	TS	MA

REV: PE0200

