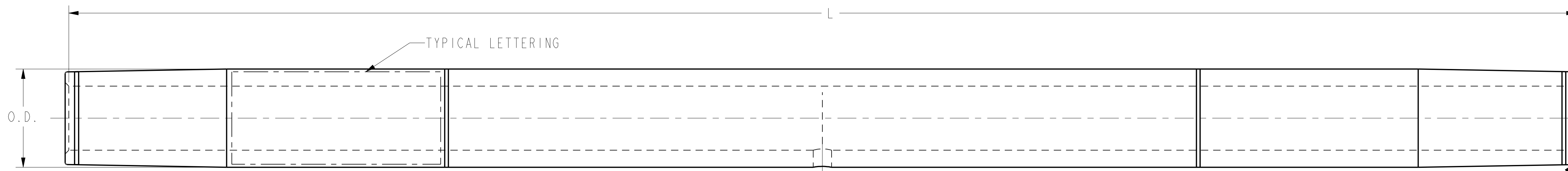


VIEW BEFORE INSTALLATION



BURNDY
 HYSPLICE™ YTS36R-T
 477 Kcmil ACSR
 24-7 26-7 STR
 LL0176
 OVER LAP CRIMPS
 USE BURNDY DIE 720
 USE BURNDY PRESS Y60BHU

FIG. 1
ALUMINUM SLEEVE

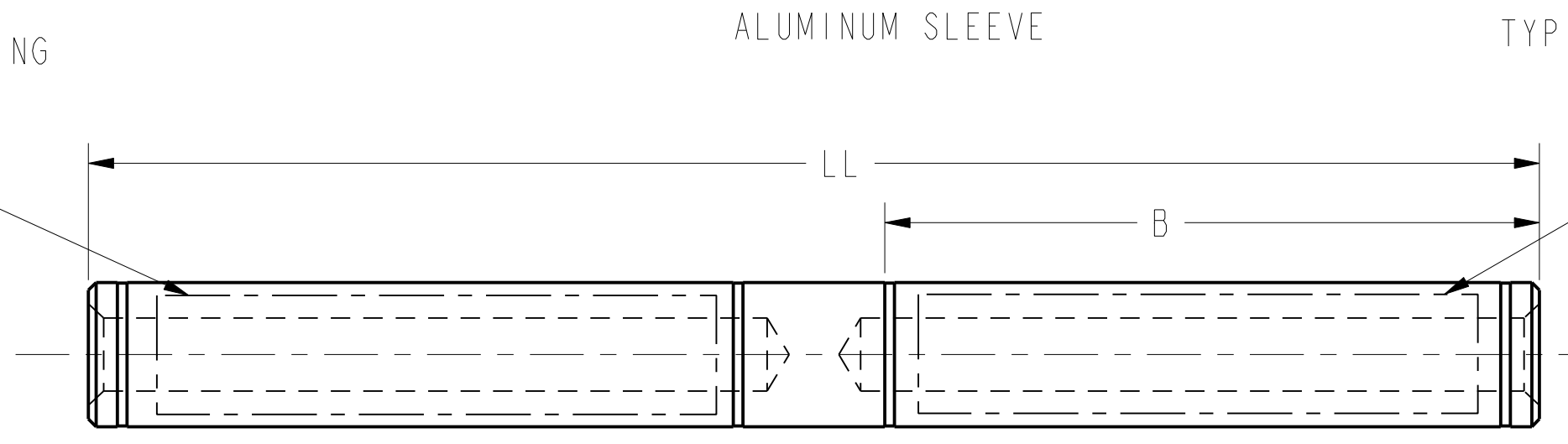
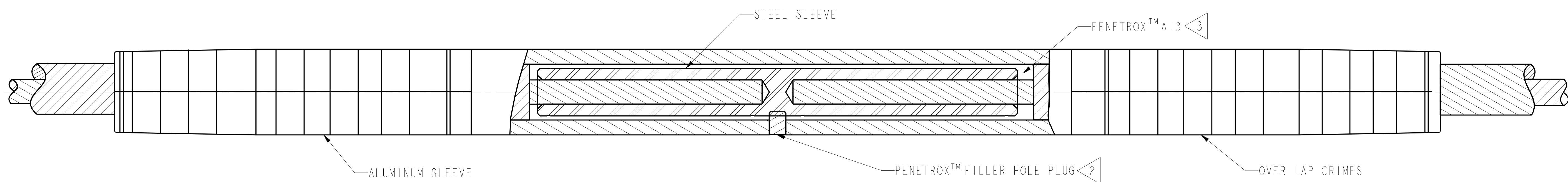


FIG. 2
STEEL SLEEVE

BURNDY
 HYSPLICE™ YTS36RS
 FOR STEEL CORE
 ACSR OR ACSS
 477 kcmil 26-7

LL0176
 OVER LAP CRIMPS
 USE BURNDY DIE 721
 BURNDY PRESS Y60 BHU

VIEW AFTER INSTALLATION



NOTES:

1. BURNDY INSTALLATION DIES MUST BE ORDERED SEPERATELY BY CATALOG NUMBER.
2. 10% EXTRA PLUGS WILL BE FURNISHED WITH ALL ORDERS FOR THE ALUMINUM SLEEVES.
3. PENETROX™ A13 NOT INCLUDED IN CATALOG NUMBER. MAY BE PURCHASED FROM BURNDY®
4. COMPLETE INSTALLATION INSTRUCTIONS ON DRAWING 30002491.
5. THE EQUIVALENT T&B DIE INDEXES ARE LISTED FOR YOUR CONVENIENCE.
6. FOR VOLTAGE OVER 250KV, SEE SE58062-SHEET 2 (YTS-R-T, YTS-RS).
FOR VOLTAGE BELOW 250KV, SEE SE58062-SHEET 3 (YTS-R, YTS-RS).
7. CONNECTOR IS INDIVIDUALLY PACKAGED & SEALED IN POLYTUBE.
8. THESE DIE INDEX'S MAKE A HEXAGONAL CRIMP EXCEPT THE DIE NUMBER '789'.
9. CATALOG # PT6515 ADAPTOR IS REQUIRED TO USE "U" DIES IN Y45 SERIES TOOLS.
10. CATALOG # PUADP-1 ADAPTOR IS REQUIRED TO USE "U" DIES IN Y46 SERIES TOOLS.
11. DIMENSIONS IN BRACKETS [] ARE IN MILLIMETERS ROUNDED OFF TO THE NEAREST MILLIMETER, UNLESS OTHERWISE NOTED, AND ARE FOR REFERENCE ONLY.

TO ORDER BURNDY® PRODUCTS CALL
 UNITED STATES
 1-800-346-4175 (LONDONDERRY, NH)
 CANADA:
 1-800-361-6975 (QUEBEC)
 1-800-387-6487 (ALL OTHER PROVINCES)
 FOR PRODUCT INFO: <http://www.burndy.com>

FULL TENSION HYSPLICE™ KITS	
ITEM NO:	SEE TABLE
CAT. NO:	SEE TABLE
DRAWN BY:	JPS 4/13/66
CHECKER:	C.YORK 07/08/19
DSN APPVL:	C.YORK 07/08/19
MFG APPVL:	--
QA APPVL:	B.ELLIOTT 07/03/19
MKT APPVL:	R.LOVELESS 02/20/20
PROD. FAM.:	--
PROJECT #:	--
DOCUMENT TYPE:	Sales
REL. LEVEL:	Released



REV	DATE	DESCRIPTION	ECO	BY	C'H'K.
C	2019-07-02 00:00:00 EDT	ADD YTS451R449RS	51700	MRA	NJ

DRAWING NO.	SE058062
SCALE:	1:1
SHEET	1 OF 3

Conductor					Splice Kit		Splice Kit Components																		
Code Word	Kcmil	O.D.	Alum Strands	Steel Strands	Catalog Number	Item Number	Catalog Number	Aluminum Sleeve				Installation Tooling			T & B Die Number	Catalog Number	Steel Sleeve				Installation Tooling			T&B Die Number	
								Dimensions				Hydraulic					Dimensions		Dimensions		Dimensions		Dimensions		
								L inches	mm	O.D inches	mm	Die index	Y46	Y45			Y60BHU	B inches	mm	LL inches	mm	Die index	Y60BHU		
Widgeon	336.4	0.711	24	7	YTS32RT34RS	30003130	YTS32RT	17.92	[455.2]	1.19	[30.2]	717	P717	S717	L717	96	YTS34RS	2.45	[62.2]	5.74	[145.8]	718	L718	54	
Linnet	336.4	0.721	26	7				YTS33RS	2.45	[62.2]	5.74	[145.8]	718	L718	54										
Oriole	336.4	0.741	30	7	YTS34RT	30003645	YTS34RT	17.92	[455.2]	1.28	[32.5]	719	P719	S719	L719	106	YTS34RS	2.45	[62.2]	5.74	[145.8]	718	L718	54	
Ibis	397.5	0.783	26	7	YTS36RT362RS	30003646	YTS36RT	18.92	[480.6]	1.41	[35.8]	720	P720	S720	L720	115	YTS362RS	2.46	[62.5]	5.88	[149.4]	721	L721	62	
Flicker	477	0.846	24	7	YTS39RT43RS	30003648	YTS39RT	20.74	[526.8]	1.50	[38.1]	722	P722	S722	L722	125	YTS36RS	2.46	[62.5]	5.76	[146.3]	721	L721	62	
Hawk	477	0.858	26	7	YTS40RT40RS	30003649	YTS40RT	25.70	[652.8]	1.61	[40.9]	724	P724	S724	L724	140	YTS43RS	2.47	[62.7]	5.90	[149.9]	723	L723	72	
Parakeet	556.5	0.914	24	7																					YTS43RT
Dove	556.5	0.927	26	7	YTS45IRT48RS	25017139	YTS45IRT	28.96	[735.6]	1.80	[45.7]	725	P725	S725	L725	150	YTS449RS	4.00	[101.6]	9.00	[228.6]	726	L726	82	
Eagle	556.5	0.953	30	7																					YTS48RS
Peacock	605	0.953	24	7	YTS481RS	4.01	[101.9]	9.00	[228.6]	726	L726	82													
Squab	605	0.966	26	7	YTS449RS	4.00	[101.6]	9.00	[228.6]				726	L726	82										
Duck	605	0.953	54	7	YTS48RS	4.00	[101.6]	9.00	[228.6]	726	L726	82													
Rook	636	0.977	24	7	YTS481RS	4.01	[101.9]	9.00	[228.6]				726	L726	82										
Grosbeak	636	0.990	26	7	YTS449RS	4.00	[101.6]	9.00	[228.6]	726	L726	82													
Flamingo	666.6	1.000	24	7	YTS48RS	4.00	[101.6]	9.00	[228.6]				726	L726	82										
Gull	666.6	1.000	54	7	YTS449RS	4.00	[101.6]	9.00	[228.6]	726	L726	82													
Starling	715.5	1.051	26	7	YTS483RS	4.01	[101.9]	9.00	[228.6]				726	L726	82										
Crow	715.5	1.036	54	7	YTS449RS	4.00	[101.6]	9.00	[228.6]	726	L726	82													
Cuckoo	795	1.092	24	7	YTS48RS	4.00	[101.6]	9.00	[228.6]				726	L726	82										
Drake	795	1.108	26	7	YTS481RS	4.01	[101.9]	9.00	[228.6]	726	L726	82													
Tern	795	1.063	45	7	YTS449RS	4.00	[101.6]	9.00	[228.6]				726	L726	82										
Condor	795	1.093	54	7	YTS48RS	4.00	[101.6]	9.00	[228.6]	726	L726	82													
Mallard	795	1.140	30	19	YTS449RS	4.00	[101.6]	9.00	[228.6]				726	L726	82										
Ruddy	900	1.131	45	7	YTS48RS	4.00	[101.6]	9.00	[228.6]	726	L726	82													
--	954	1.196	24	7	YTS449RS	4.00	[101.6]	9.00	[228.6]				726	L726	82										
Rail	954	1.165	45	7	YTS48RS	4.00	[101.6]	9.00	[228.6]	726	L726	82													
--	954	1.175	48	7	YTS449RS	4.00	[101.6]	9.00	[228.6]				726	L726	82										
Cardinal	954	1.196	54	7	YTS48RS	4.00	[101.6]	9.00	[228.6]	726	L726	82													
--	1027.4	1.219	48	7	YTS449RS	4.00	[101.6]	9.00	[228.6]				726	L726	82										
Ortolan	1033.5	1.212	45	7	YTS483RS	4.01	[101.9]	9.00	[228.6]	726	L726	82													
--	1033.5	1.223	48	7	YTS449RS	4.00	[101.6]	9.00	[228.6]				726	L726	82										
Curlew	1033.5	1.246	54	7	YTS48RS	4.00	[101.6]	9.00	[228.6]	726	L726	82													
Bluejay	1113	1.259	45	7	YTS483RS	4.01	[101.9]	9.00	[228.6]				726	L726	82										
--	1113	1.269	48	7	YTS449RS	4.00	[101.6]	9.00	[228.6]	726	L726	82													
Finch	1113	1.293	54	19	YTS48RS	4.00	[101.6]	9.00	[228.6]				726	L726	82										
Bunting	1192.5	1.302	45	7	YTS521RS	4.00	[101.6]	9.00	[228.6]	726	L726	82													
--	1192.5	1.313	48	7	YTS48RS	4.00	[101.6]	9.00	[228.6]				726	L726	82										
Grackle	1192.5	1.338	54	7	YTS521RS	4.00	[101.6]	9.00	[228.6]	726	L726	82													
Bittern	1272	1.345	45	7	YTS521RS	4.00	[101.6]	9.00	[228.6]				726	L726	82										
Pheasant	1272	1.382	54	19	YTS521RS	4.00	[101.6]	9.00	[228.6]	726	L726	82													
Dipper	1351.5	1.386	45	7	YTS59RS	4.07	[103.4]	9.10	[231.1]				726	L726	82										
Martin	1351.5	1.424	54	19	YTS521RS	4.00	[101.6]	9.00	[228.6]	726	L726	82													
Bobolink	1431	1.427	45	7	YTS521RS	4.00	[101.6]	9.00	[228.6]				726	L726	82										
Nuthatch	1510.5	1.466	45	7	YTS549RS	4.00	[101.6]	9.00	[228.6]	726	L726	82													
--	1510.5	1.478	48	7	YTS59RS	4.07	[103.4]	9.10	[231.1]				726	L726	82										
Parrot	1510.5	1.506	54	19	YTS549RS	4.00	[101.6]	9.00	[228.6]	726	L726	82													
Lapwing	1590	1.504	45	7	YTS59RS	4.07	[103.4]	9.10	[231.1]				726	L726	82										
Falcon	1590	1.545	54	19	YTS549RS	4.00	[103.4]	9.00	[228.6]	726	L726	82													
Chukar	1780	1.602	84	19	YTS521RS	4.00	[101.6]	9.00	[228.6]				726	L726	82										
--	2032.1	1.680	72	7	YTS59RS	4.07	[103.4]	9.10	[231.1]	726	L726	82													
Mockingbird	2034.5	1.681	72	7	YTS585RT	35.46	[900.7]	2.50	[63.5]				735	--	--	L735	214	YTS521RS	4.00	[101.6]	9.00	[228.6]	726	L726	82
Bluebird	2156	1.762	84	19	YTS59RT	42.91	[1089.9]	2.50	[63.5]	735	--	--	L735	214	YTS59RS	4.07	[103.4]	9.10	[231.1]	726	L726	82			
Kiwi	2167	1.739	72	7	YTS59RT521RS	195503	YTS59RT	40.48	[1028.2]	2.60	[66.0]	740	--	--	L740	--	YTS521RS	4.00	[101.6]	9.00	[228.6]	789	L789	--	
--	2300	1.857	96	19	YTS594RT	30003658	YTS594RT	40.48	[1028.2]	2.60	[66.0]	740	--	--	L740	--	YTS594RS	4.11	[104.4]	9.70	[246.4]	789	L789	--	

NOTES:
SEE SHEET 1 FOR NOTES AND VIEWS

EHV VOLTAGE BELOW 230 KV

TO ORDER BURNDY® PRODUCTS CALL
UNITED STATES
1-800-346-4175 (LONDONDERRY, NH)
CANADA:
1-800-361-6975 (QUEBEC)
1-800-387-6487 (ALL OTHER PROVINCES)
FOR PRODUCT INFO: <http://www.burndy.com>

FULL TENSION HYSPLICE (ACSR)

ITEM NO: [SEE TABLE]
CAT. NO: [SEE TABLE]

DRAWN BY: JPS	4/16/66
CHECKER: C.YORK	07/08/19
DSN APPVL: C.YORK	07/08/19
MFG APPVL: --	--
QA APPVL: B.ELLIOTT	07/03/19
MKT APPVL: R.LOVELESS	02/20/20

BURNDY

SCALE: 1:2
DRAWING NO: SE058062
SHEET 2 OF 3

REV	DATE	DESCRIPTION	ECO	BY	C'H'K.
C	2019-07-02 00:00:00 EDT	ADD YTS451R449RS	51700	MRA	NJ

REV: PE0200

Conductor

Splice Kit

Splice Kit Components

Aluminum Sleeve

Steel Sleeve

D

D

C

C

B

B

A

A

Code Word	Kcmil	O.D.	Alum Strands	Steel Strands	Catalog Number	Item Number	Catalog Number	Dimensions				Installation Tooling			T & B Die Number	Catalog Number	Dimensions				Installation Tooling			T&B Die Number
								L inches	mm	O.D inches	mm	Die index	Hydraulic				B inches	mm	LL inches	mm	Die index	Y60BHU		
													Y46	Y45									Y60BHU	
													inches										mm	
Widgeon	336.4	0.711	24	7	YTS32R34RS	25018264	YTS32R	17.30	[439.4]	1.19	[30.2]	717	P717	S717	L717	96	YTS34RS	2.45	[62.2]	5.74	[145.8]	718	L718	54
Linnet	336.4	0.721	26	7																				
Oriole	336.4	0.741	30	7	YTS34R34RS	25017137	YTS34R	17.30	[439.4]	1.28	[32.5]	719	P719	S719	L719	106	YTS362RS	2.46	[62.5]	5.88	[149.4]	721	L721	62
Ibis	397.5	0.783	26	7																				
Flicker	477	0.846	24	7	YTS39R43RS	25016922	YTS39R	19.88	[505.0]	1.50	[38.1]	722	P722	S722	L722	125	YTS43RS	2.47	[62.7]	5.90	[149.9]	723	L723	72
Hawk	477	0.858	26	7																				
Parakeet	556.5	0.914	24	7	YTS43R43RS	25017138	YTS43R	21.44	[544.6]	1.61	[40.9]	724	P724	S724	L724	140	YTS43RS	2.47	[62.7]	5.90	[149.9]	723	L723	72
Dove	556.5	0.927	26	7																				
Eagle	556.5	0.953	30	7																				
Peacock	605	0.953	24	7																				
Squab	605	0.966	26	7																				
Duck	605	0.953	54	7																				
Rook	636	0.977	24	7																				
Grosbeak	636	0.990	26	7																				
Flamingo	666.6	1.000	24	7																				
Gull	666.6	1.000	54	7																				
Crow	715.5	1.036	54	7	YTS451R449RS	30003114	YTS451R	28.96	[735.6]	1.80	[45.7]	725	P725	S725	L725	150	YTS449RS	4.00	[101.6]	9.00	[228.6]	726	L726	82
Cuckoo	795	1.092	24	7																				
Condor	795	1.093	54	7																				

NOTES:
SEE SHEET 1 FOR NOTES AND VIEWS

VOLTAGE BELOW 230 KV
FULL TENSION HYSPLICE (ACSR)

TO ORDER BURNDY® PRODUCTS CALL
UNITED STATES
1-800-346-4175 (LONDONDERRY, NH)
CANADA:
1-800-361-6975 (QUEBEC)
1-800-387-6487 (ALL OTHER PROVINCES)
FOR PRODUCT INFO: <http://www.burndy.com>

ITEM NO: [SEE TABLE]
CAT. NO: [SEE TABLE]
DRAWN BY: R.PERRAULT 9/5/95
CHECKER: C.YORK 07/08/19
DSN APPVL: C.YORK 07/08/19
MFG APPVL: --
QA APPVL: B.ELLIOTT 07/03/19
MKT APPVL: R.LOVELESS 02/20/20

SCALE: 1:2
DRAWING NO: SE058062
REV: C

BURNDY

REV	DATE	DESCRIPTION	ECO	BY	C'H'K.
C	2019-07-02 00:00:00 EDT	ADD YTS451R449RS	51700	MRA	NJ