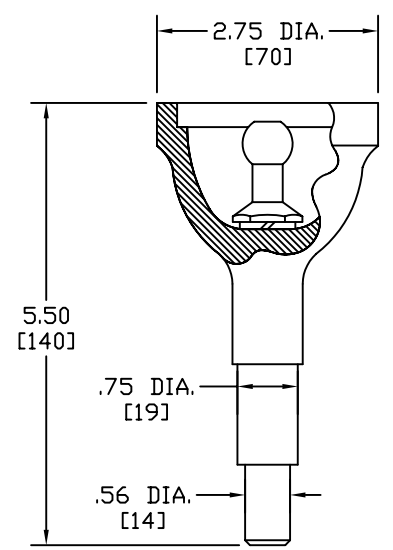
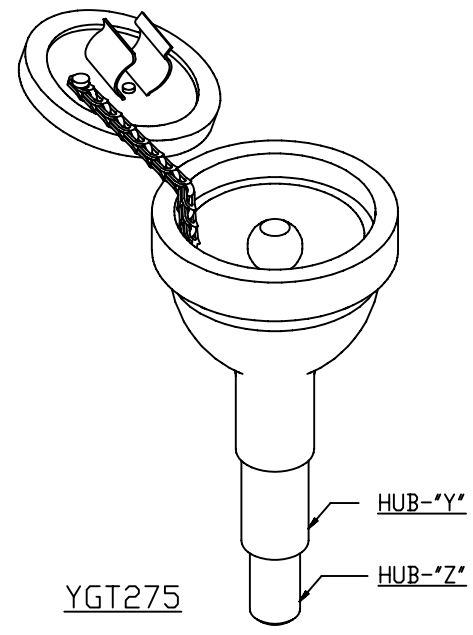
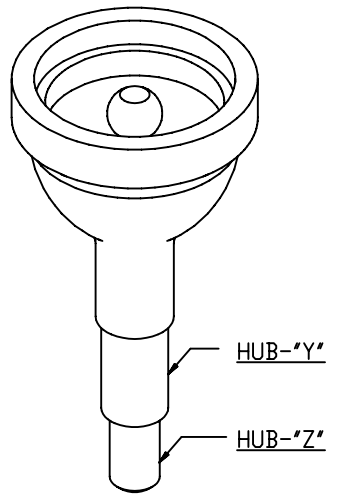


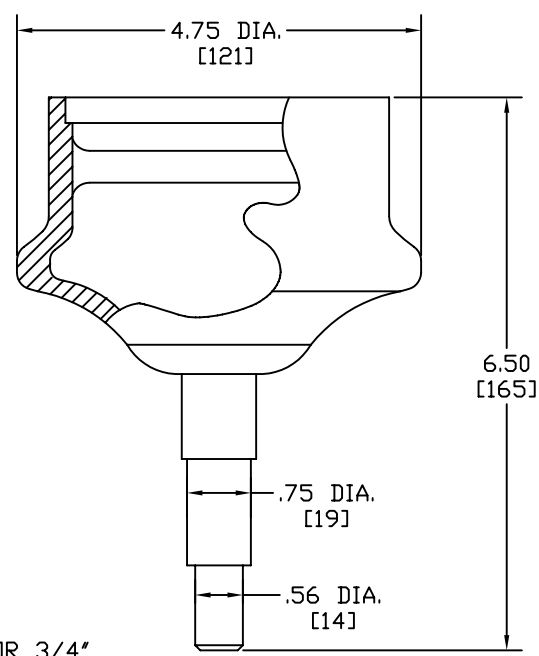
REV.	DATE	DESCRIPTION	ECO	BY	C'K'D.
0	10/9/92	DRAWING RELEASED	387	DF	JG



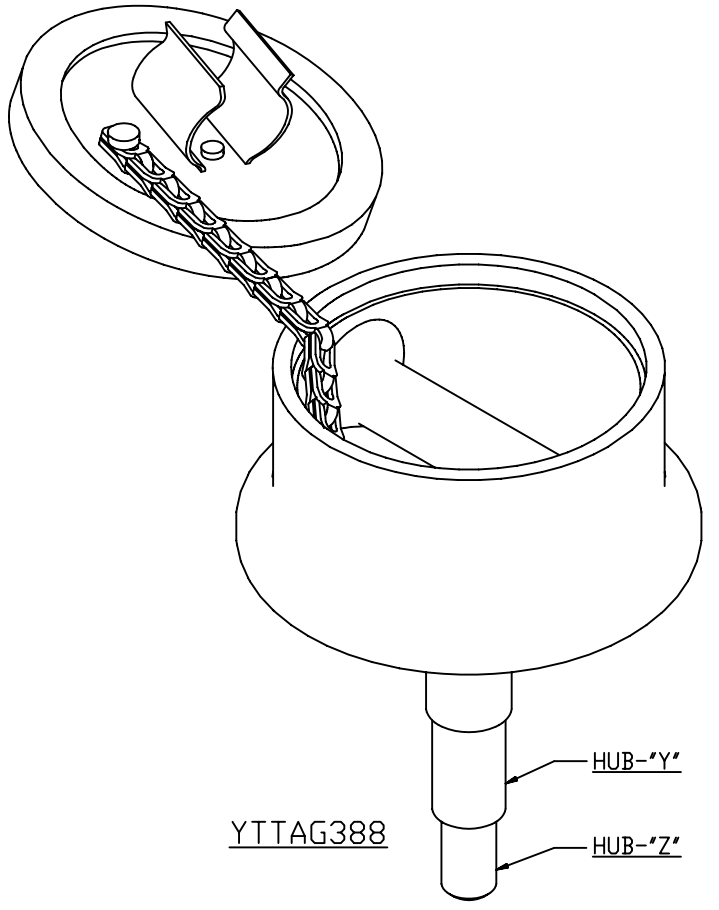
YGT275WQCC



YGT275



YTTAG388



- NOTE:**
1. SELECT SUITABLE YGHR OR YGLR FOR 3/4" GROUND ROD AND SIZED TO GROUND CONDUCTOR. INSTALL YGHR OR YGLR ON HUB "Y". HUB "Z" IS INSERTED INTO 1/2" RIGID CONDUIT. THE CONDUIT IS DRIVEN INTO EARTH TO SUPPORT AND PROVIDE CORRECT LEVEL OF RECEPTACLE PRIOR TO CEMENT POUR.
 2. MATERIAL: BRONZE OR COPPER ALLOY
 3. DIMENSIONS IN BRACKETS [] ARE IN MILLIMETERS.

TO ORDER BURNDY® PRODUCTS CALL
 UNITED STATES:
 1-800-346-4175 (LONDONDERRY, NH)
 CANADA:
 1-800-361-6975 (QUEBEC)
 1-800-387-6487 (ALL OTHER PROVINCES)
 FOR PRODUCT INFO: <http://www.burndy.com>

STATIC GROUNDING RECEPTACLES	
ITEM NO: N/A	
CAT NO: YGT275WQCC, YGT275 & YTTAG388	
SCALE: 1/1	
DRAWN BY: D FILLION	10/9/92
CHECKER: J GAUDET	10/14/92
DSN APPVL: C PALAGI	10/16/92
MFG APPVL: B KDWALIK	10/15/92
QC APPVL: A LLOYD	10/15/92
MKT APPVL: D HAMILTON	10/19/92
PROJ. FAM: --	
PROJECT #: --	SIZE: D
DOCUMENT TYPE: Sales	
REL. LEVEL: AutoCAD	
DRAWING NO: SE208023-01	REV: 0
SHEET 1 OF 1	

