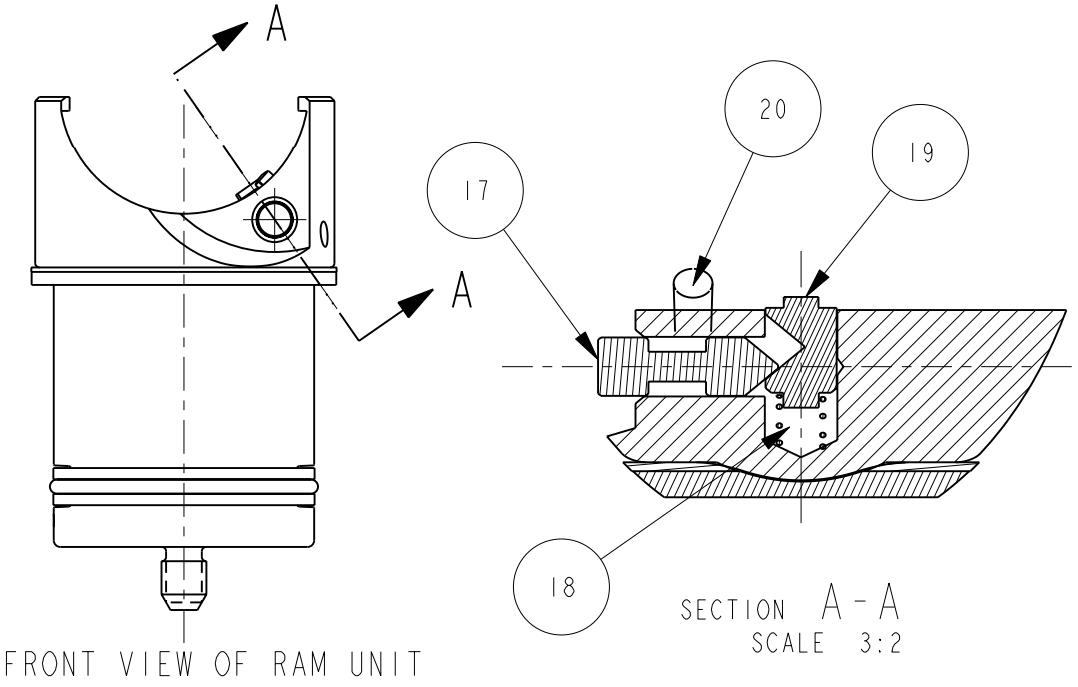
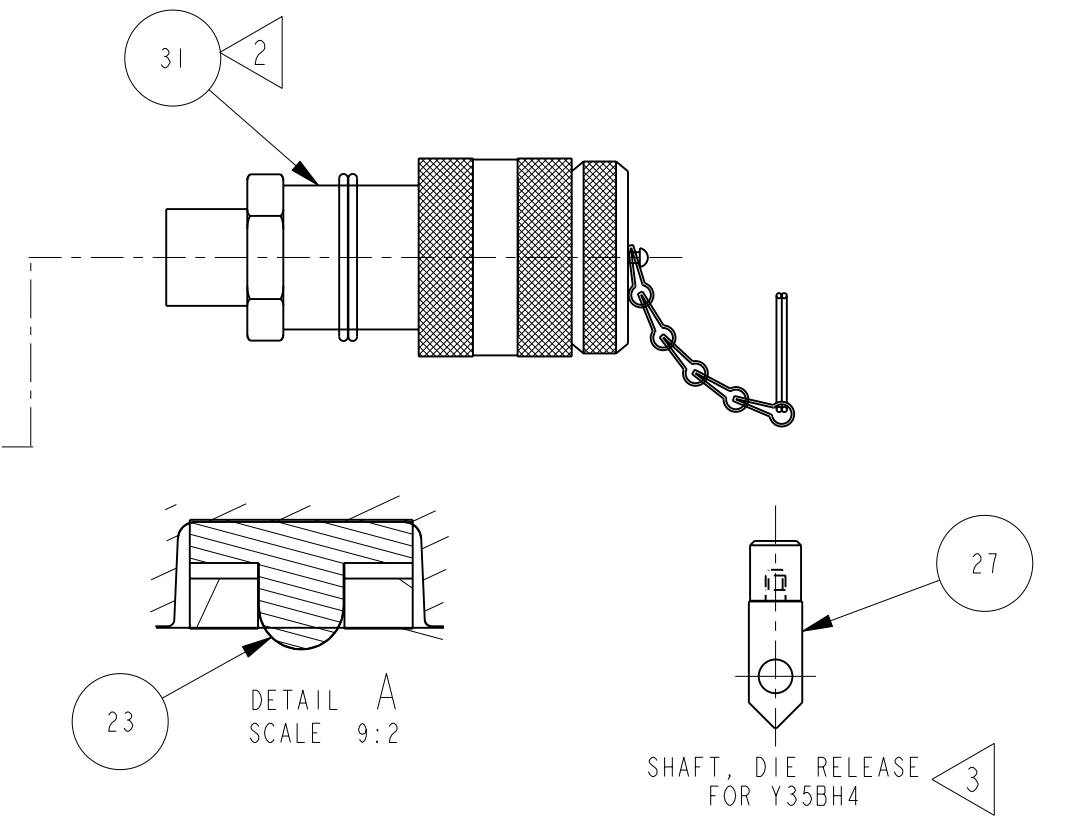
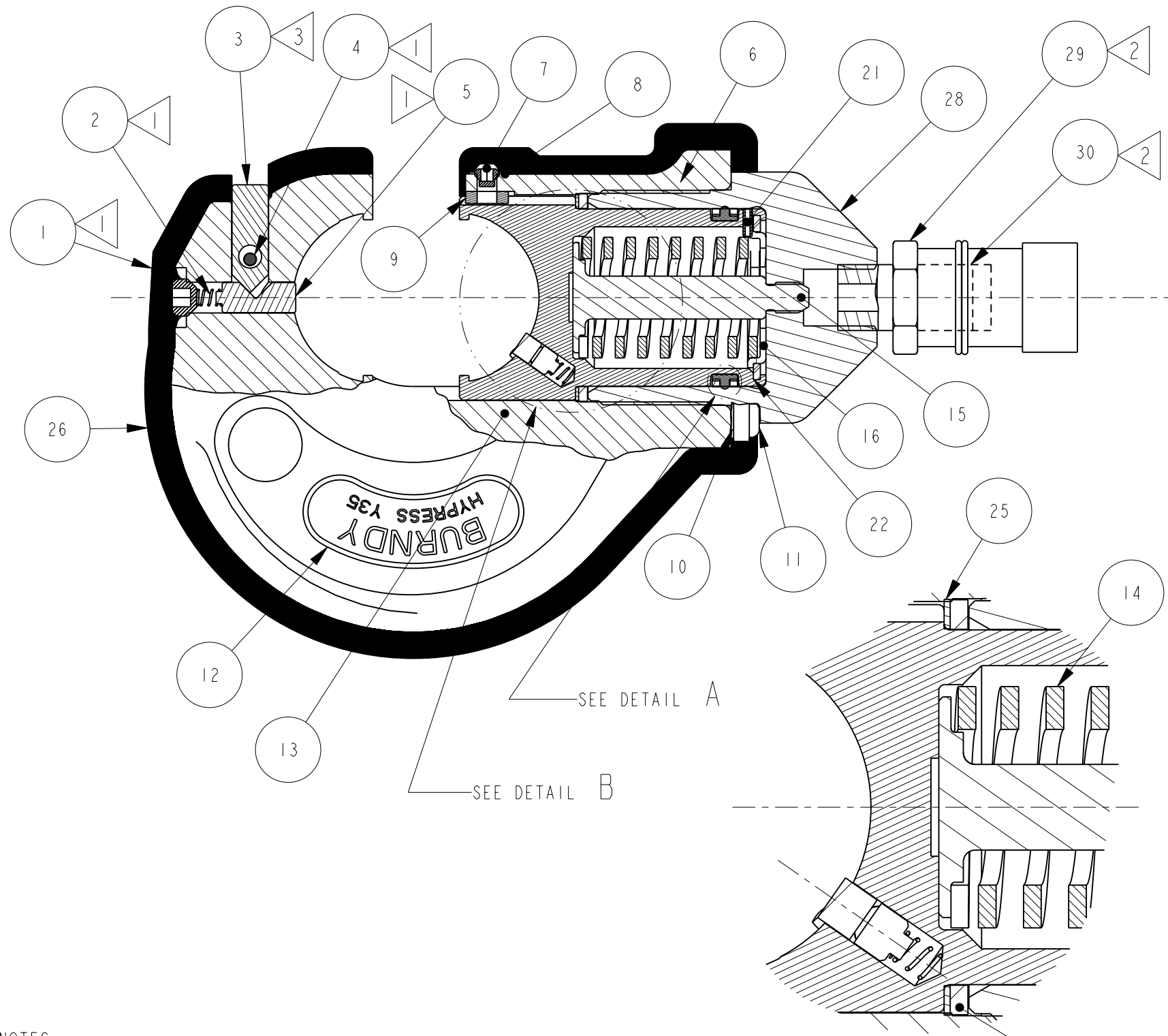


REV.	DATE	DESCRIPTION	ECO	BY	C'H'K.
A	05/16/2012 00:00:00 AM	SALES DRAWINGS SE209028-01 & SE209028-02 SHOULD BE COMBINED	27474	DD	MB



- NOTES:
- 1 THESE CATALOG NUMBERS ARE CONTAINED IN THE Y35BH4 HYPRESS™ SERIES.
 - 2 FOR CATALOG NUMBER Y35BHF REPLACE PT94 AND PT11148 WITH PT93, CATALOG NUMBER Y35BHF NOT SHOWN.
 - 3 PT29273 IS USED IN PLACE OF PT2993 ON Y35BH-4 TOOL. PT29273 CONSISTS OF PT29271 (SHAFT) AND PT29272 (BUTTON).
 - 4 USE OF NON-BURNDY PARTS VOIDS THE TOOL WARRANTY.

TO ORDER BURNDY® PRODUCTS CALL
 UNITED STATES:
 1-800-346-4175 (LONDONDERRY, NH)
 CANADA:
 1-800-361-6975 (QUEBEC)
 1-800-387-6487 (ALL OTHER PROVINCES)
 FOR PRODUCT INFO: <http://www.burndy.com>

Y35BH HYPRESS™	
ITEM NO:	N/A
CAT. NO:	Y35BH, Y35BH4
DRAWN BY:	J. MICHAUD 2/15/94
CHECKER:	K. HENRY 3/4/94
DSN APPVL:	M. BRUNELLI 3/23/94
MFG APPVL:	--
QA APPVL:	A. LLOYD 4/5/94
MKT APPVL:	M. BLAKE 3/31/94
PROD FAM:	--
PROJECT #:	--
DOCUMENT TYPE:	Sales
REL LEVEL:	Released
SCALE:	3:8
DRAWING NO:	SE209028-01
REV:	A
SIZE:	B
SHEET 1 OF 2	

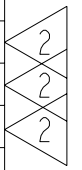
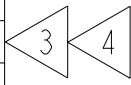
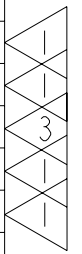
REV: PE0200

*** BILL OF MATERIAL FOR Y35BH ***

4

REV.	DATE	DESCRIPTION	ECO	BY	C'H'K.
A	05/16/2012 00:00:00 AM	SALES DRAWINGS SE209028-01 & SE209028-02 SHOULD BE COMBINED	27474	DD	MB

SUB ASSEMBLIES	PT. NO.	CATALOG NO.	QTY	DESCRIPTION	
DIE RELEASE HARDWARE KIT PT29397	1	38CX25SHSS	1	3/8-16 UNC X .25 SOCKET HD. CAPSCREW	
	2	PT29002	1	SPRING, COMPRESSION	
	3	PT2993	1	SHAFT, DIE RELEASE	
	4	12X88DRLKPN	1	1/8 X 7/8 DRIV-LOC PIN TYPE C	
	5	PT2994	1	DIE, RETAINING PIN	
	6	PT2976	1	HEAD, CLAMP DIE	
RAM GUIDE SCREW KIT PT29464	7	PT29460	1	SCREW	
	8	PT29466	1	LOCK WASHER	
	9	PT29465	1	KEY	
	10	10NW	2	#10 INTERNAL TOOTH LOCK WASHER SIL. BRZ.	
	11	1024X50BHSCS	2	#10-24UNC-2A X .50 BUTTON HD. CAPSCREW	
	12	PT2977	2	LABEL	
	13	PT290081	1	RAM	
	14	PT2915	1	SPRING, COMPRESSION	
	15	PT2916	1	SPRING, ROD	
	16	PT2920	1	SUPPORT, SPRING, COMPRESSION	
RAM UNIT ASSY' PT2910	RAM UNIT ASSY' PT2907-1	17	PT29000	1	SHAFT, RELEASE
		18	PT29002	1	SPRING, CHUCK
		19	PT29001	1	PIN, RETAINING DIE
	20	125X50DRLKPN	1	PIN, DRIV-LOK, TYPE B, 1/8 DIA. X .50 LG.	
	21	093X28RLPN	1	ROLL PIN, 3/32 DIA. X .28 LG.	
	22	5008162TRR	1	RING, TRUARC	
	23	PT10177	1	RING, GT	
	24	PT2913	1	WASHER, PISTON	
	25	PT2914	1	WIPER, PISTON	
(Y35BH4) INSULATED RETAINER DIE YOKE PT29329	26	PT29277	1	INSULATED HYPRESS HEAD	
	27	PT29273	1	SHAFT, DIE RELEASE	
	---	-----	---	-----	
	---	-----	---	-----	
	28	PT2992-1	1	CYLINDER	
	29	PT11148	1	MALE PIPE COUPLING	
	30	PT94	1	MALE COUPLING	
	31	PT93	1	FEMALE COUPLING	
	NOT SHOWN	-----	1	HYDRAULIC OIL-ALFLUID	
	NOT SHOWN	PT29413	1	CARRYING CASE	
	NOT SHOWN	-----	1	CARDBOARD BOX	



FOR USE ON	
CONNECTOR TYPE	CONDUCTOR RANGE
TENSION SLEEVES	COPPER #8 SOL. - 500 Kcmil ALUMINUM #6 SOL. - 636 Kcmil ACSR #4 - 556.5 ACSR(26/7)
TAPS STR.	#14-556.5 ACSR(18/1)
AERIAL CABLE CONNECTOR	COPPER #6 STR. - 500 Kcmil ALUMINUM #4 STR. - 600 Kcmil
CODE CONDUCTOR	COPPER #8 STR. 750 Kcmil TERM (400 Kcmil SPLICE) ALUMINUM #6 - 750 Kcmil TERM (400 Kcmil SPLICES)
HYGROUN COMPRESSION GROUNDING	COPPER #6 - 500 Kcmil (CABLE/CABLE) COPPER #6 - 250 Kcmil (CABLE/GROUND ROD) GROUND RODS 1/2" - 3/4" DIA.

SEE SHEET 1 OF 2 FOR NOTES

REV: PE0200

OPERATING PRESSURE: 5,000 TO 10,500 PSI

TO ORDER BURNDY® PRODUCTS CALL		Y35BH HYPRESS™	
UNITED STATES: 1-800-346-4175 (LONDONDERRY, NH)		ITEM NO: N/A	CAT. NO: Y35BH, Y35BH4
CANADA: 1-800-361-6975 (QUEBEC) 1-800-387-6487 (ALL OTHER PROVINCES)		DRAWN BY: J. MICHAUD 2/15/94	CHECKER: K. HENRY 3/4/94
FOR PRODUCT INFO: http://www.burndy.com		DSN APPVL: M. BRUNELLI 3/23/94	MFG APPVL: --
		QA APPVL: A. LLOYD 4/5/94	MKT APPVL: M. BLAKE 3/31/94
		PROD FAM: --	SCALE: 3:8
		PROJECT #: --	DRAWING NO
		DOCUMENT TYPE: Sales	REV
		REL LEVEL: Released	SIZE B
			SE209028-01
			SHEET 2 OF 2
			A

