

REV. DATE DESCRIPTION	ECO. BY. C. H. H.
1 01/27/08 08:06:09 08 NOTE #13, UPDATED	42726 TS NJ

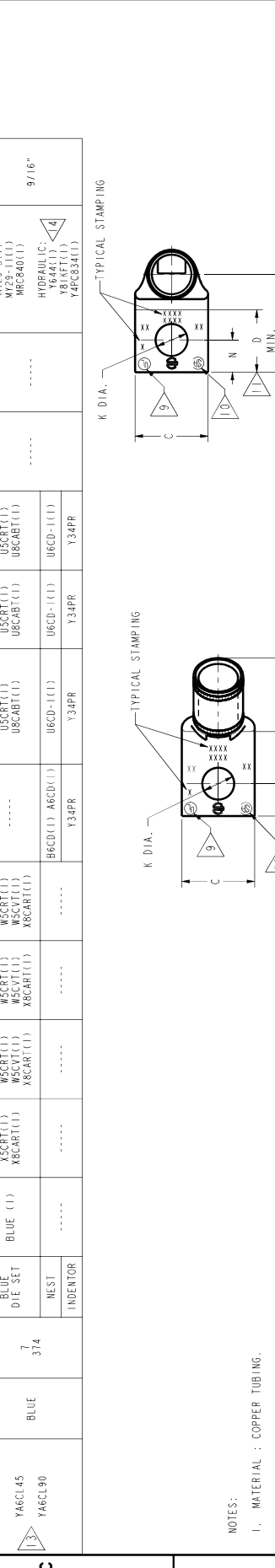
CATALOG NUMBER	CODE (AWG)	NAVY	MTRIC SIZE (CLASS 2)	BOLT SIZE	METRIC BOLT SIZE	FIG. NO.	DIMENSIONS							
							B	C	H REF.	K DIA.	L	N	O.D.	T REF.
YA6CL45						1	.54 (14)	.45 (11)	.27 (7)	1.26 (32)	.31 (8)	.29 (7)	.08 (2)	.33 (8)
YA6CL90						2		.45 (11)	.27 (7)	1.26 (32)	.31 (8)	.29 (7)	.08 (2)	.33 (8)
YA6CL145				1/4	M6	1		.45 (11)	.27 (7)	1.26 (32)	.31 (8)	.29 (7)	.08 (2)	.33 (8)
YA6CL190				8-10		2		.45 (11)	.27 (7)	1.26 (32)	.31 (8)	.29 (7)	.08 (2)	.33 (8)
YA6CL345				5/16		1		.45 (11)	.27 (7)	1.26 (32)	.31 (8)	.29 (7)	.08 (2)	.33 (8)
YA6CL390						2		.45 (11)	.27 (7)	1.26 (32)	.31 (8)	.29 (7)	.08 (2)	.33 (8)

CATALOG NO.	COLOR CODE	DIE INDEX	DIE TYPE	DIE INFORMATION		MECHANICAL		HYDRAULIC		WIRE STRIP LENGTH
				Y1MRTC	Y122CMR	OUR840	M06 M07	M06--R2 M07-34R	Y34A Y34B Y34BH	
YA6CL45	BLUE	7 374	BLUE DIE SET	BLUE (1)	X5CRT(1) X8CABT(1)	X5CRT(1) X5CRT(1) X5CVT(1) X8CABT(1)	Y5CRT(1) W5CRT(1) W5CVT(1) X8CABT(1)	Y5CRT(1) U8CABT(1)	U8CABT(1)	9/16"
YA6CL90			NEST INDENTOR			B6CD(1) A6CD(1)		Y34PR	U6CD-1(1)	

TOLERANCES										
CONNECTOR SIZE	B	C	K DIA.	L	N	O.D.				
-8C THRU -25	±.06	±.04	±.02	±.09	±.03	±.01				
-26 THRU -34	±.08	±.04	±.02	±.12	±.03	±.01				
-35 AND UP	±.09	±.06	±.02	±.15	±.06	±.01				

TOLERANCE BLOCK

INSTALLATION TOOLING (# CRIMPS)



NOTES:

- MATERIAL : COPPER TUBING.
- FINISH: ELECTRO-TIN PLATED.
- CATALOG # PT6515 ADAPTOR IS REQUIRED TO USE "U" DIES IN Y45 SERIES TOOLS.
- CATALOG # PUADP-1 ADAPTOR IS REQUIRED TO USE "U" DIES IN Y46 SERIES TOOLS.
- Y35P3 INDENTOR ADAPTOR REQUIRED FOR Y34PR INDENTOR.
- PERMANENT DIE IN TOOLING.
- FOR USE BY CUSTOMERS THAT HAVE THIS HYPRESS™, NO NEW Y34A HYPRESS™ TOOLS ARE BEING PROCESSED.
- Y34A USES A--D NEST DIES ONLY.
- CONNECTORS ARE UL LISTED; UNDRILLED VERSIONS ARE NOT UL LISTED.
- CONNECTORS ARE CSA CERTIFIED; UNDRILLED VERSIONS ARE NOT CSA CERTIFIED.
- FOR UNDRILLED VERSIONS, ADD SUFFIX "-U" TO END OF CATALOG NUMBER. FOR UNDRILLED VERSIONS, USE D MIN. = N MAX. - .2 MIN.
- "X", "W-VT", "U", & "L" DIE SETS ARE COLOR CODED. "A", "B", AND "C" DIES ARE NOT COLOR CODED. NESTS AND INDENTOR TYPE ARE NOT COLOR CODED.
- X8CABT & U8CABT DIES USED ON YA6C--HYLUG™ NOT YA5C--HYLUG™
- DO NOT USE PAT644 OR Y644 TOOLING WITH 6 AWG SOL.
- THESE CATALOG NUMBERS CANNOT BE INSTALLED WITH Y45 OR Y46 TOOLING.

TO ORDER BIRNDA® PRODUCTS CALL
 UNITED STATES
 (1-800-367-8975 (LONDONBERRY, NH))
 CANADA:
 (1-800-367-8975, (LODBEC))
 FOR PRODUCT INFO: <http://www.birnda.com>

ITEM NO:	N/A	HYLUG™ COPPER
CAT. NO.:	YA-L-TC-3 YA-L- (TABLE)	
DRAWN BY:	J. MICHAUD	12/08/94
CHECKED BY:	J. MICHAUD	12/08/94
DESIGNED BY:	E. PALASI	12/08/94
MFG. APPR'L:		
ENGR. APPR'L:		
SCALE:	1:1	
PROJECT NO.:	SE209240	
DRAWING NO.:	SE209240	
SHEET NO.:	3 OF 38	