

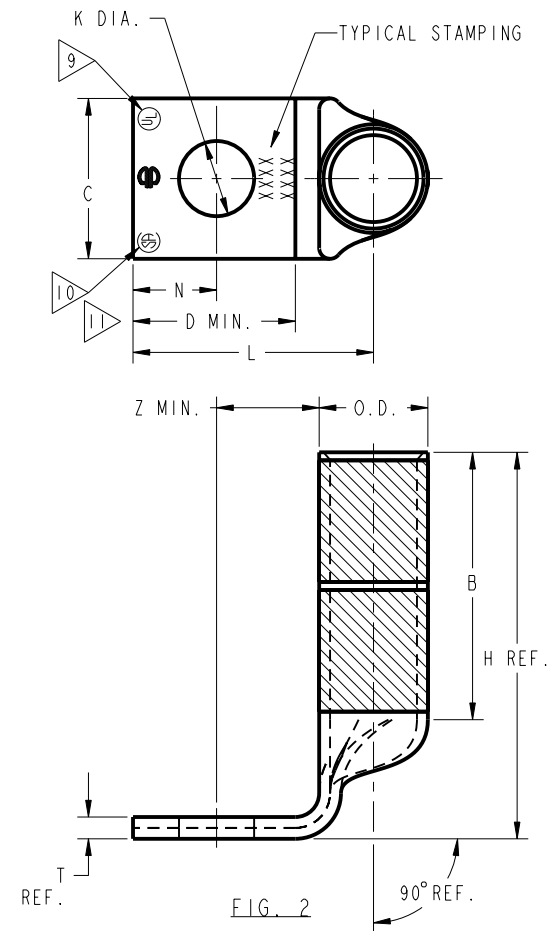
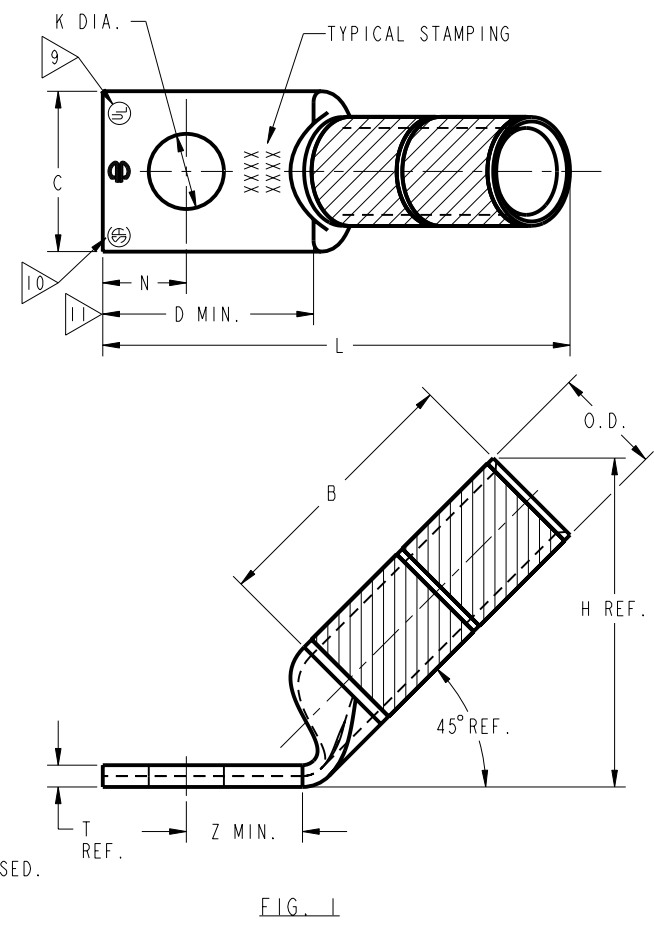
DRAWING NO. SE209241		7		6		5		4		3		2		1								
11	CATALOG NUMBER	STRANDED COPPER CONDUCTOR ACCOMMODATED		BOLT SIZE	METRIC BOLT SIZE	FIG. NO.	DIMENSIONS							REV. DATE DESCRIPTION ECO BY C'H'K.								
		CODE (AWG)	NAVY				METRIC SIZE (CLASS 2)	B	C	H REF.	K DIA.	L	N	O.D.	T REF.	Z MIN.	B	11/09/2011 00:00:00 AM	TOOLING DETAILS UPDATED AS PER MARKUP	25811	DK	MA
		YA5C45	#5 AWG				30	16mm ² STR [5.3]	1/4	M6	1	1.12 [28]	.44 [11]	1.20 [30]	.27 [7]	1.75 [44]	.25 [6]	.30 [8]	.07 [2]	.33 [8]		
		YA5C90							1/2	M12	2	1.12 [28]	.44 [11]	1.51 [38]	.27 [7]	.81 [21]	.25 [6]	.07 [2]	.33 [8]			
YA5CN45	1/2	M12		1	.83 [21]	1.23 [31]			.56 [14]	2.55 [65]	.63 [16]	.12 [3]	.64 [16]									
YA5CN90	1/2	M12	2	1.12 [28]	.83 [21]	1.60 [41]	.56 [14]	1.52 [39]	.63 [16]	.30 [8]	.12 [3]	.64 [16]										

CONNECTOR SIZE	TOLERANCES					
	B	C	K DIA	L	N	O.D.
-8C THRU -25	±.06	±.04	±.02	±.09	±.03	±.01
-26 THRU -34	±.08	±.04	±.02	±.12	±.03	±.01
-35 AND UP	±.09	±.06	±.02	±.15	±.06	±.01

TOLERANCE BLOCK

INSTALLATION TOOLING (# CRIMPS)																
CATALOG NO.	DIE INFORMATION			MECHANICAL RATCHET					HYDRAULIC					DIELESS (# CRIMPS)	WIRE STRIP LENGTH	
	COLOR CODE	DIE INDEX	TYPE	6 YIMRTC	OUR840	MD6 MD7	MD6-R2 MD7-34R	PATMD6 PAT600	8 Y34A Y34B Y34BH	5 Y35, Y39 Y750, BAT35 PAT750	5 4 Y46 PAT46	5 3 Y45	Y48B			Y60BHU
YA5C45 YA5C90 YA5CN45 YA5CN90	BLUE	7 374	BLUE DIE SET NEST INDENTOR	BLUE (2)	X5CRT(2)	X5CRT(2) W5CRT(2) W5CVT(2)	X5CRT(2) W5CRT(2) W5CVT(2)	X5CRT(2) W5CRT(2) W5CVT(2)	-----	U5CRT(2)	U5CRT(2)	U5CRT(2)	-----	-----	MECHANICAL: MY29-3(2) MY29-11(2) MRC840(2) HYDRAULIC: Y644(1) Y81KFT(1) YY4PC834(1)	1-3/16"
				-----	-----	-----	-----	-----	B6CD(1) A6CD(1) Y34PR	U6CD-1(1) Y34PR	U6CD-1(1) Y34PR	U6CD-1(1) Y34PR				

- NOTES:
- MATERIAL : COPPER TUBING.
 - FINISH: ELECTRO-TIN PLATED.
 - CATALOG # PT6515 ADAPTOR IS REQUIRED TO USE "U" DIES IN Y45 SERIES TOOLS.
 - CATALOG # PUADP-1 ADAPTOR IS REQUIRED TO USE "U" DIES IN Y46 SERIES TOOLS.
 - Y35P3 INDENTOR ADAPTOR REQUIRED FOR Y34PR INDENTOR.
 - PERMANENT DIE IN TOOLING.
 - DIMENSIONS IN BRACKETS [] ARE IN MILLIMETERS ROUNDED OFF TO THE NEAREST MILLIMETER, UNLESS OTHERWISE NOTED, AND ARE FOR REFERENCE ONLY.
 - FOR USE BY CUSTOMERS THAT HAVE THIS HYPRESS™. NO NEW Y34A HYPRESSES™ ARE BEING PROCESSED. Y34A USES A-D NEST DIES ONLY.
 - CONNECTORS ARE UL LISTED; UNDRILLED VERSIONS ARE NOT UL LISTED.
 - CONNECTORS ARE CSA CERTIFIED; UNDRILLED VERSIONS ARE NOT CSA CERTIFIED.
 - FOR UNDRILLED VERSIONS ADD SUFFIX "-U" TO END OF CATALOG NUMBER. FOR UNDRILLED VERSIONS, USE D MIN. = N MAX. + Z MIN.
 - "X", "W-RT", "W-VT", "U", & "L" DIE SETS ARE COLOR CODED. "A", "B", AND "C" DIES ARE NOT COLOR CODED. NESTS AND INDENTOR TYPE ARE NOT COLOR CODED.



REFERENCE: SD79849

TO ORDER BURNDY® PRODUCTS CALL		COPPER HYLUG™	
UNITED STATES 1-800-346-4175 (LONDONDERRY, NH)		ITEM NO: N/A	CAT. NO: YA-TC-45, -90 / YA-45, -90 / YA-N-45, -90
CANADA: 1-800-361-6975 (QUEBEC) 1-800-387-6487 (ALL OTHER PROVINCES)		DRAWN BY: J. MICHAUD 1/17/95	CHECKER: D. FILLION 1/17/95
FOR PRODUCT INFO: http://www.burndy.com		DSN APPVL: C. PALAGI 1/18/95	MFG APPVL: N/A
		QA APPVL: C. ACKERMAN 2/03/95	MKT APPVL: T. NELSON 1/20/95
		PROJ #: --	SIZE: D
		DOCUMENT TYPE: Sales	REL LEVEL: Released
		PROJ FAM: CM&R COMPRESSION	DRAWING NO: SE209241
		SCALE: NTS	REV: B
		SHEET 3 OF 32	

REV: PE0200