

DRAWING NO.
SE209241

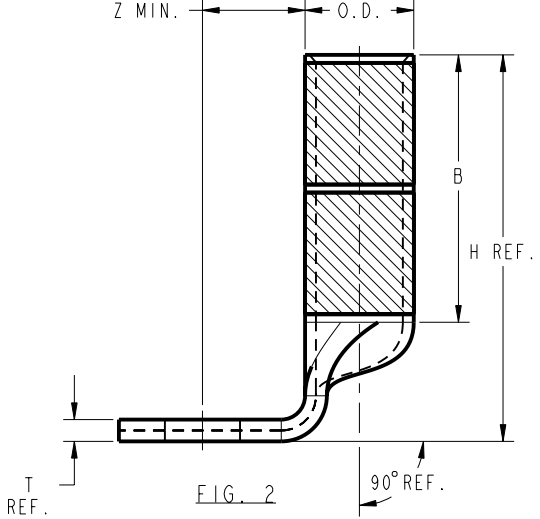
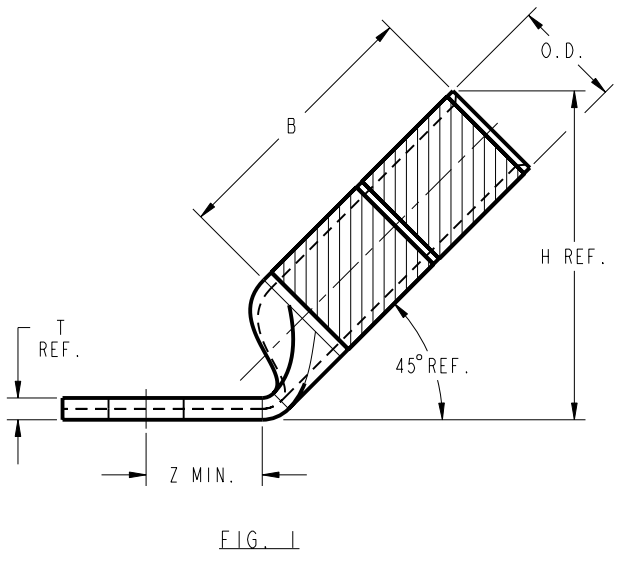
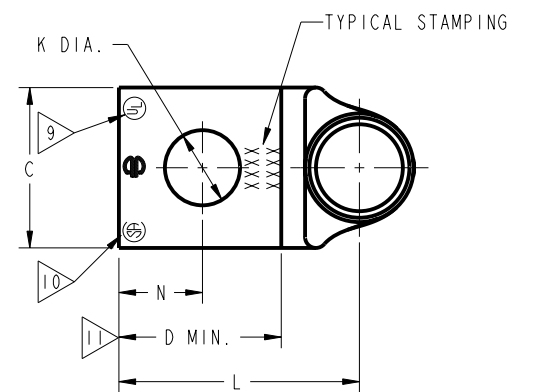
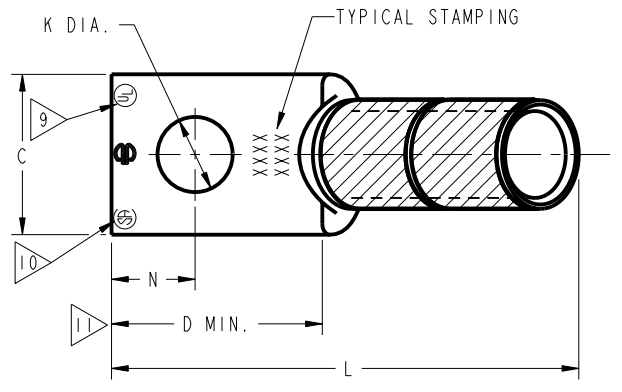
CATALOG NUMBER	STRANDED COPPER CONDUCTOR ACCOMMODATED			BOLT SIZE	METRIC BOLT SIZE	FIG. NO.	DIMENSIONS								
	CODE (AWG)	NAVY	METRIC SIZE (CLASS 2)				B	C	H REF.	K DIA.	L	N	O.D.	T REF.	Z MIN.
YA3145	350 kcmil	350	-----	1/2	M12	1	2.00 [51]	1.29 [33]	2.54 [65]	.53 [13]	3.36 [85]	.53 [13]	.88 [22]	.18 [5]	.55 [14]
2						2.96 [75]	2.96 [75]	.53 [13]	1.65 [42]	.53 [13]	.88 [22]	.18 [5]	.55 [14]		
YA3190				1	2.54 [65]	.56 [14]	3.55 [90]	.63 [16]	.88 [22]	.18 [5]	.64 [16]				
YA31N45				2	2.96 [75]	.56 [14]	1.84 [47]	.63 [16]	.88 [22]	.18 [5]	.64 [16]				

REV	DATE	DESCRIPTION	ECO	BY	CHK	MA
B	11/09/2011 00:00:00 AM	TOOLING DETAILS UPDATED AS PER MARKUP	25811	DK	MA	

CONNECTOR SIZE	TOLERANCES					
	B	C	K DIA.	L	N	O.D.
-8C THRU -25	±.06	±.04	±.02	±.09	±.03	±.01
-26 THRU -34	±.08	±.04	±.02	±.12	±.03	±.01
-35 AND UP	±.09	±.06	±.02	±.15	±.06	±.01

TOLERANCE BLOCK

CATALOG NO.	DIE INFORMATION			MECHANICAL RATCHET				HYDRAULIC						DIELESS (# CRIMPS)	WIRE STRIP LENGTH	
	COLOR CODE	DIE INDEX	TYPE	YIMRTC	OUR840	MD6 MD7	MD6--R2 MD7-34R	PATMD6 PAT600	Y34A Y34B Y34BH	Y35, Y39 Y750, BAT35 PAT750	Y46 PAT46	Y45	Y48B			Y60BHU
YA3145 YA3190 YA31N45 YA31N90	RED	18 324	RED DIE SET NEST INDENTOR	-----	-----	W31VT(4)	W31RT(4) W31VT(4)	W31T(4) W31VT(4)	-----	U31RT(4) U29ART(4)	U31RT(4) U29ART(4)	U31RT(4) U29ART(4)	C31R(1) C29AR(1)	L31RT(1) L29ART(1)	HYDRAULIC: Y644(1) Y81KFT(3) YY4PC834(3)	2-1/16"



- NOTES:
- MATERIAL : COPPER TUBING.
 - FINISH: ELECTRO-TIN PLATED.
 - CATALOG # PT6515 ADAPTOR IS REQUIRED TO USE "U" DIES IN Y45 SERIES TOOLS.
 - CATALOG # PUADP-1 ADAPTOR IS REQUIRED TO USE "U" DIES IN Y46 SERIES TOOLS.
 - Y35P3 INDENTOR ADAPTOR REQUIRED FOR Y34PR INDENTOR.
 - PERMANENT DIE IN TOOLING.
 - DIMENSIONS IN BRACKETS [] ARE IN MILLIMETERS ROUNDED OFF TO THE NEAREST MILLIMETER, UNLESS OTHERWISE NOTED, AND ARE FOR REFERENCE ONLY.
 - FOR USE BY CUSTOMERS THAT HAVE THIS HYPRESS™. NO NEW Y34A HYPRESSES™ ARE BEING PROCESSED. Y34A USES A--D NEST DIES ONLY.
 - CONNECTORS ARE UL LISTED; UNDRILLED VERSIONS ARE NOT UL LISTED.
 - CONNECTORS ARE CSA CERTIFIED; UNDRILLED VERSIONS ARE NOT CSA CERTIFIED.
 - FOR UNDRILLED VERSIONS ADD SUFFIX "-U" TO END OF CATALOG NUMBER. FOR UNDRILLED VERSIONS, USE D MIN. = N MAX. + Z MIN.
 - "X", "W-RT", "W-VT", "U", & "L" DIE SETS ARE COLOR CODED. "A", "B", AND "C" DIES ARE NOT COLOR CODED. NESTS AND INDENTOR TYPE ARE NOT COLOR CODED.

TO ORDER BURNDY® PRODUCTS CALL
 UNITED STATES
 1-800-346-4175 (LONDONDERRY, NH)
 CANADA:
 1-800-361-6975 (QUEBEC)
 1-800-387-6487 (ALL OTHER PROVINCES)
 FOR PRODUCT INFO: <http://www.burndy.com>

COPPER HYLUG™	
ITEM NO:	N/A
CAT. NO:	YA-45, -90 / YA-N-45, -90
DRAWN BY:	J. MITCHAUD 1/17/95
CHECKER:	D. FILLION 1/17/95
DSN APPVL:	C. PALAGI 1/18/95
MFG APPVL:	N/A
QA APPVL:	C. ACKERMAN 2/03/95
MKT APPVL:	T. NELSON 1/20/95
PROJ #:	---
DOCUMENT TYPE:	Sales
REL LEVEL:	Released
SCALE:	NTS
DRAWING NO:	SE209241
REV:	B
SHEET 17 OF 32	

REV: PEO200