

DRAWING NO.
SE209241

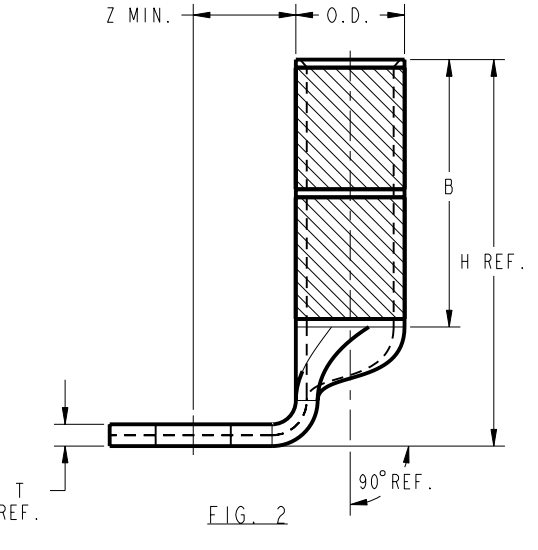
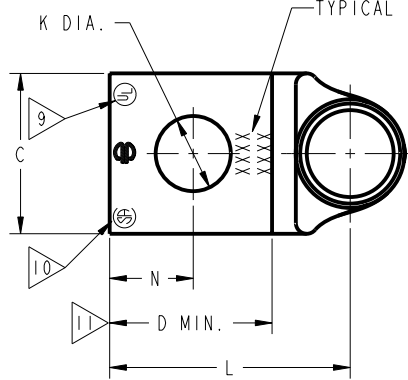
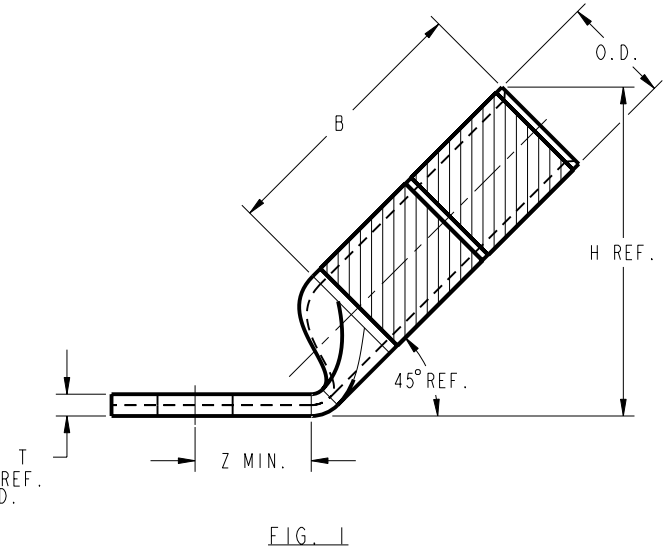
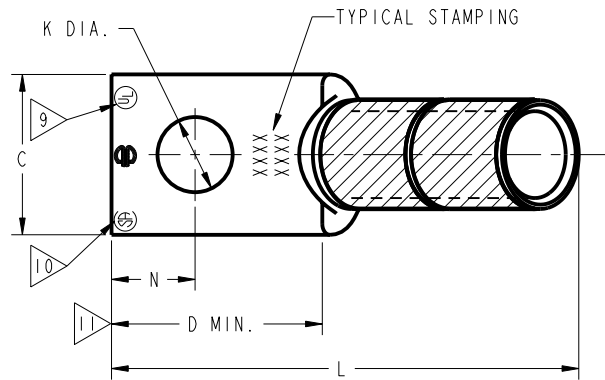
CATALOG NUMBER	STRANDED COPPER CONDUCTOR ACCOMMODATED			BOLT SIZE	METRIC BOLT SIZE	FIG. NO.	DIMENSIONS								
	CODE (AWG)	NAVY	METRIC SIZE (CLASS 2)				B	C	H REF.	K DIA.	L	N	O.D.	T REF.	Z MIN.
YA3245	400 kcmil	400	-----	5/8	M16	1	2.12 [54]	1.40 [36]	2.72 [69]	.69 [18]	3.77 [96]	.66 [17]	.95 [24]	.19 [5]	.67 [17]
2						3.16 [80]	.69 [18]	1.95 [50]	.66 [17]	.95 [24]	.19 [5]	.67 [17]			
YA3290				1	2.72 [69]	.56 [14]	3.71 [94]	.63 [16]	.95 [24]	.19 [5]	.64 [16]				
YA32N45				2	2.12 [54]	1.40 [36]	3.16 [80]	.56 [14]	1.88 [48]	.63 [16]	.95 [24]	.19 [5]	.64 [16]		

REV	DATE	DESCRIPTION	ECO	BY	CHK	MA
B	11/09/2011 00:00:00 AM	TOOLING DETAILS UPDATED AS PER MARKUP	25811	DK	MA	

CONNECTOR SIZE	TOLERANCES					
	B	C	K DIA.	L	N	O.D.
-8C THRU -25	±.06	±.04	±.02	±.09	±.03	±.01
-26 THRU -34	±.08	±.04	±.02	±.12	±.03	±.01
-35 AND UP	±.09	±.06	±.02	±.15	±.06	±.01

TOLERANCE BLOCK

CATALOG NO.	DIE INFORMATION			MECHANICAL RATCHET				HYDRAULIC						DIELESS (# CRIMPS)	WIRE STRIP LENGTH	
	COLOR CODE	DIE INDEX	TYPE	6 YIMRTC	OUR840	MD6 MD7	MD6--R2 MD7-34R	PATMD6 PAT600	8 Y34A Y34B Y34BH	5 Y35, Y39 Y750, BAT35 PAT750	5 4 Y46 PAT46	5 3 Y45	Y48B			Y60BHU
YA3245 YA3290 YA32N45 YA32N90	BLUE	19 470	BLUE DIE SET NEST INDENTOR	-----	-----	W34VT(4)	W32RT(4) W32VT(4)	W34RT(4) W32VT(4)	-----	U32RT(4) U30ART(4)	U32RT(4) U30ART(4)	U32RT(4) U30ART(4)	C32R(1) C30AR(1)	L32RT(1) L30ART(1)	HYDRAULIC: Y644(1) Y81KFT(3) YY4PC834(3)	2-3/16"



NOTES:

- MATERIAL : COPPER TUBING.
- FINISH: ELECTRO-TIN PLATED.
- CATALOG # PT6515 ADAPTOR IS REQUIRED TO USE "U" DIES IN Y45 SERIES TOOLS.
- CATALOG # PUADP-1 ADAPTOR IS REQUIRED TO USE "U" DIES IN Y46 SERIES TOOLS.
- Y35P3 INDENTOR ADAPTOR REQUIRED FOR Y34PR INDENTOR.
- PERMANENT DIE IN TOOLING.
- DIMENSIONS IN BRACKETS [] ARE IN MILLIMETERS ROUNDED OFF TO THE NEAREST MILLIMETER, UNLESS OTHERWISE NOTED, AND ARE FOR REFERENCE ONLY.
- FOR USE BY CUSTOMERS THAT HAVE THIS HYPRESS™. NO NEW Y34A HYPRESSES™ ARE BEING PROCESSED. Y34A USES A--D NEST DIES ONLY.
- CONNECTORS ARE UL LISTED; UNDRILLED VERSIONS ARE NOT UL LISTED.
- CONNECTORS ARE CSA CERTIFIED; UNDRILLED VERSIONS ARE NOT CSA CERTIFIED.
- FOR UNDRILLED VERSIONS ADD SUFFIX "-U" TO END OF CATALOG NUMBER. FOR UNDRILLED VERSIONS, USE D MIN. = N MAX. + Z MIN.
- "X", "W-RT", "W-VT", "U", & "L" DIE SETS ARE COLOR CODED. "A", "B", AND "C" DIES ARE NOT COLOR CODED. NESTS AND INDENTOR TYPE ARE NOT COLOR CODED.

REFERENCE: SD79849

TO ORDER BURNDY® PRODUCTS CALL		COPPER HYLUG™	
UNITED STATES 1-800-346-4175 (LONDONDERRY, NH)		ITEM NO: N/A	CAT. NO: YA-45, -90 / YA-N-45, -90
CANADA: 1-800-361-6975 (QUEBEC) 1-800-387-6487 (ALL OTHER PROVINCES)		DRAWN BY: J.MITCHAUD 1/17/95	CHECKER: D.FILLION 1/17/95
FOR PRODUCT INFO: http://www.burndy.com		DSN APPVL: C.PALAGI 1/18/95	MFG APPVL: N/A
		QA APPVL: C.ACKERMAN 2/03/95	MKT APPVL: T.NELSON 1/20/95
		PROJ #:	SCALE: NTS
		SIZE: D	DRAWING NO: SE209241
		DOCUMENT TYPE: Sales	REV: B
		REL LEVEL: Released	SHEET 18 OF 32

REV: PE0200