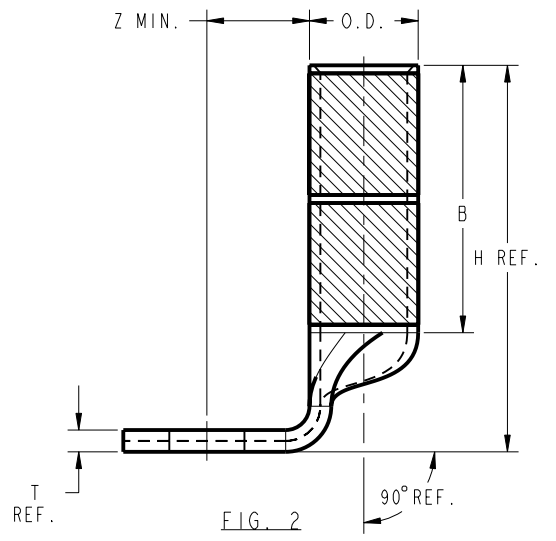
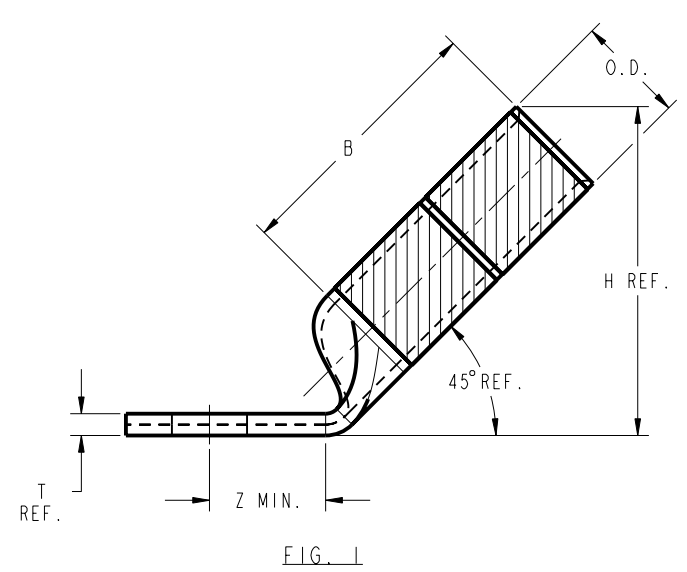
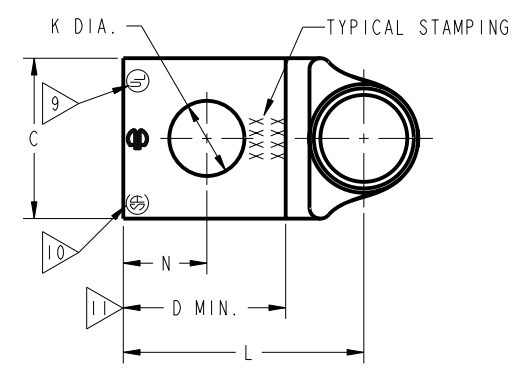
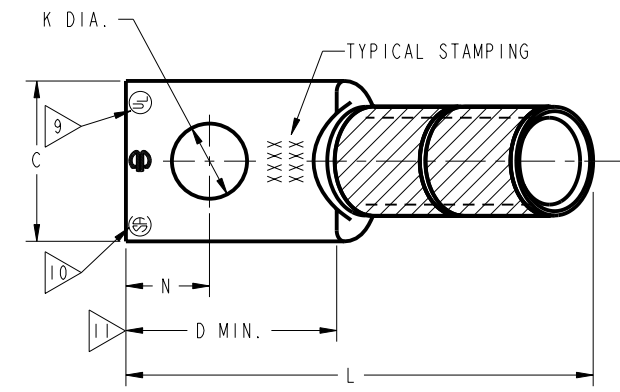


DRAWING NO. SE209241		7		6		5		4		3		2		1									
D	CATALOG NUMBER	STRANDED COPPER CONDUCTOR ACCOMMODATED			BOLT SIZE	METRIC BOLT SIZE	FIG. NO.	DIMENSIONS							REVI	DATE	DESCRIPTION	ECO	BY	C'H'K.			
		500 kcmil	NAVVY	METRIC SIZE (CLASS 2)				240mm ² STR [23.1]	B	C	H REF.	K DIA.	L	N	O.D.	T REF.	Z MIN.	D	11/09/2011 00:00:00 AM	TOOLING DETAILS UPDATED AS PER MARKUP CHANGE # OF CRIMPS FROM 4 TO 2 ON U31ART TOOL	25811	DK	MA
									2.25 [57]	1.55 [39]	2.97 [75]	.69 [18]	4.02 [102]	.66 [17]	1.06 [27]	.23 [6]	.67 [17]						
									3.45 [88]	1.55 [39]	3.45 [88]	.69 [18]	2.03 [52]	.66 [17]	1.06 [27]	.23 [6]	.67 [17]						
									2.97 [75]	1.55 [39]	2.97 [75]	.56 [14]	3.96 [101]	.63 [16]	1.06 [27]	.23 [6]	.64 [16]						
1/2	M12	1	2	2.25 [57]	1.55 [39]	3.45 [88]	.56 [14]	1.97 [50]	.63 [16]	1.06 [27]	.23 [6]	.64 [16]											

CONNECTOR SIZE	TOLERANCES					
	B	C	K DIA.	L	N	O.D.
-8C THRU -25	±.06	±.04	±.02	±.09	±.03	±.01
-26 THRU -34	±.08	±.04	±.02	±.12	±.03	±.01
-35 AND UP	±.09	±.06	±.02	±.15	±.06	±.01

TOLERANCE BLOCK

INSTALLATION TOOLING (# CRIMPS)																
CATALOG NO.	DIE INFORMATION			MECHANICAL RATCHET				HYDRAULIC					DIELESS (# CRIMPS)	WIRE STRIP LENGTH		
	COLOR CODE	DIE INDEX	TYPE	YIMRTC	OUR840	MD6 MD7	MD6--R2 MD7-34R	PATMD6 PAT600	Y34A Y34B Y34BH	Y35, Y39 Y750, BAT35 PAT750	Y46 PAT46	Y45			Y48B	Y60BHU
YA3445 YA3490 YA34N45 YA34N90	BROWN	20 299	BROWN DIE SET NEST INDENTOR	-----	-----	W34VT(4)	W34RT(4) W34VT(4)	W34VT(4) W34RT(4)	-----	U34RT(4) U31ART(2)	U34RT(4) P34RT(4) U31ART(2)	U34RT(4) U31ART(2)	C34R(2) C31AR(2)	L34RT(2)	HYDRAULIC: Y644(1) Y81KFT(4) YY4PC834(4)	2-5/16"
				-----	-----	-----	-----	-----	B34D(2) A34D(2) Y34PR	U34D-1(2) Y34PR	U34D-1(2) Y34PR	U34D-1(2) Y34PR	C34D(2) Y48PR	-----		



NOTES:

- MATERIAL : COPPER TUBING.
- FINISH: ELECTRO-TIN PLATED.
- CATALOG # PT6515 ADAPTOR IS REQUIRED TO USE "U" DIES IN Y45 SERIES TOOLS.
- CATALOG # PUADP-1 ADAPTOR IS REQUIRED TO USE "U" DIES IN Y46 SERIES TOOLS.
- Y35P3 INDENTOR ADAPTOR REQUIRED FOR Y34PR INDENTOR.
- PERMANENT DIE IN TOOLING.
- DIMENSIONS IN BRACKETS [] ARE IN MILLIMETERS ROUNDED OFF TO THE NEAREST MILLIMETER, UNLESS OTHERWISE NOTED, AND ARE FOR REFERENCE ONLY.
- FOR USE BY CUSTOMERS THAT HAVE THIS HYPRESS™. NO NEW Y34A HYPRESSES™ ARE BEING PROCESSED. Y34A USES A--D NEST DIES ONLY.
- CONNECTORS ARE UL LISTED; UNDRILLED VERSIONS ARE NOT UL LISTED.
- CONNECTORS ARE CSA CERTIFIED; UNDRILLED VERSIONS ARE NOT CSA CERTIFIED.
- FOR UNDRILLED VERSIONS ADD SUFFIX "-U" TO END OF CATALOG NUMBER. FOR UNDRILLED VERSIONS, USE D MIN. = N MAX. + Z MIN.
- "X", "W-RT", "W-VT", "U", & "L" DIE SETS ARE COLOR CODED. "A", "B", AND "C" DIES ARE NOT COLOR CODED. NESTS AND INDENTOR TYPE ARE NOT COLOR CODED.

REFERENCE: SD79849

TO ORDER BURNDY® PRODUCTS CALL		COPPER HYLUG™	
UNITED STATES 1-800-346-4175 (LONDONDERRY, NH)		ITEM NO: N/A	CAT. NO: YA-45, -90 / YA-N-45, -90
CANADA: 1-800-361-6975 (QUEBEC) 1-800-387-6487 (ALL OTHER PROVINCES)		DRAWN BY: J. MITCHAUD 1/17/95	CHECKER: D. FILLION 1/17/95
FOR PRODUCT INFO: http://www.burndy.com		DSN APPVL: C. PALAGI 1/18/95	MFG APPVL: N/A
		QA APPVL: C. ACKERMAN 2/03/95	MKT APPVL: T. NELSON 1/20/95
		PROJ #: --	SCALE: NTS
		DOCUMENT TYPE: Sales	SIZE: D
		REL LEVEL: Released	DRAWING NO: SE209241
			REV: D
			SHEET 20 OF 32

REV: PE0200