

DRAWING NO. SE209241		7		6		5		4		3		2		1						
10 CATALOG NUMBER	STRANDED COPPER CONDUCTOR ACCOMMODATED			BOLT SIZE	METRIC BOLT SIZE	FIG. NO.	DIMENSIONS							REV	DATE	DESCRIPTION	ECO	BY	C'H'K.	
	CODE (AWG)	NAVY	METRIC SIZE (CLASS 2)				B	C	H REF.	K DIA.	L	N	O.D.	T REF.	Z MIN.	D	11/09/2011 00:00:00 AM	TOOLING DETAILS UPDATED AS PER MARKUP	25811	DK
	YA3645	600 kcmil	-----	300mm ² STR [23.1]	5/8	M16	1	2.69 [68]	1.73 [44]	3.44 [87]	.69 [18]	4.47 [114]	.66 [17]	1.19 [30]	.27 [7]	.67 [17]				
	2						4.04 [103]		4.04 [18]	.69 [18]	2.11 [53]	.66 [17]								
	YA3690				1/2	M12	1	3.44 [87]		4.41 [112]	.63 [16]									
2	2.69 [68]						1.73 [44]	4.04 [103]	.56 [14]	2.05 [52]	.63 [16]	1.19 [30]	.27 [7]	.64 [16]						

CONNECTOR SIZE	TOLERANCES					
	B	C	K DIA.	L	N	O.D.
-8C THRU -25	±.06	±.04	±.02	±.09	±.03	±.01
-26 THRU -34	±.08	±.04	±.02	±.12	±.03	±.01
-35 AND UP	±.09	±.06	±.02	±.15	±.06	±.01

TOLERANCE BLOCK

INSTALLATION TOOLING (# CRIMPS)																
CATALOG NO.	DIE INFORMATION			MECHANICAL RATCHET				HYDRAULIC						DIELESS (# CRIMPS)	WIRE STRIP LENGTH	
	COLOR CODE	DIE INDEX	TYPE	5 YIMRTC	OUR840	MD6 MD7	MD6-R2 MD7-34R	PATMD6 PAT600	7 Y34A Y34B Y34BH	Y35, Y39 Y750, BAT35 PAT750	4 Y46 PAT46	3 Y45	Y48B			Y60BHU
YA3645 YA3690 YA36N45 YA36N90	GREEN	22 472	GREEN DIE SET	-----	-----	-----	-----	-----	-----	U36RT (4) U32ART (4)	U36RT (4) U32ART (4)	U36RT (4) U32ART (4)	C36R (4) C32AR (4)	L36RT (2) L32ART (2)	HYDRAULIC: Y644(1) Y81KFT(4) YY4PC834(4)	2-3/4"
NEST INDENTOR			-----	-----	-----	-----	-----	-----	-----	P36D (2) P44PR	-----	C36D (2) Y48PR	-----	-----		

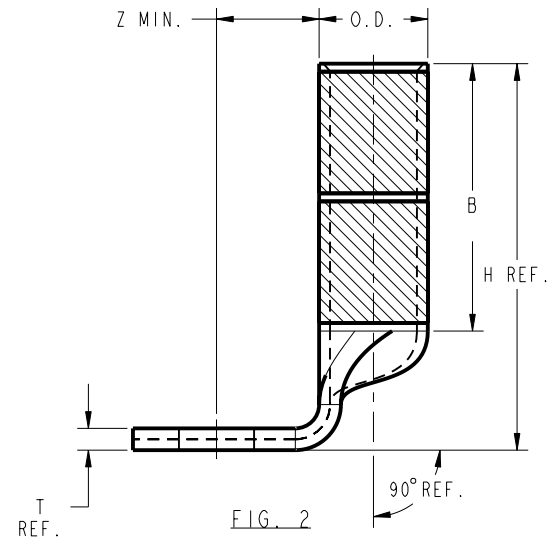
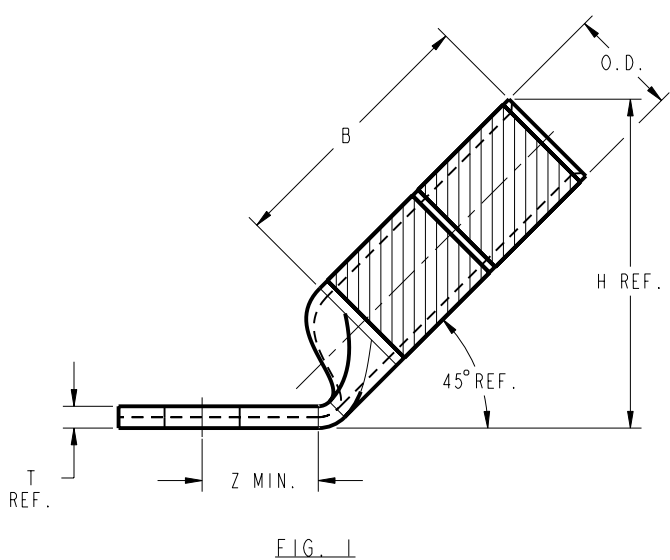
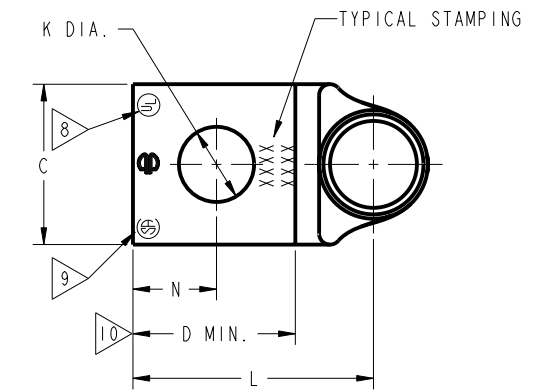
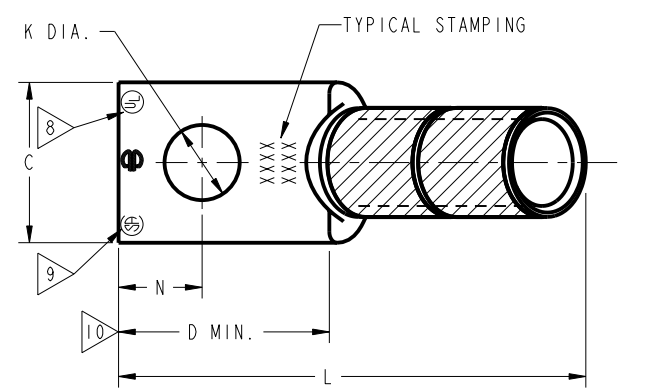


FIG. 1

FIG. 2

REFERENCE: SD79849

- NOTES:
- MATERIAL : COPPER TUBING.
 - FINISH: ELECTRO-TIN PLATED.
 - CATALOG # PT6515 ADAPTOR IS REQUIRED TO USE "U" DIES IN Y45 SERIES TOOLS.
 - CATALOG # PUADP-1 ADAPTOR IS REQUIRED TO USE "U" DIES IN Y46 SERIES TOOLS.
 - PERMANENT DIE IN TOOLING.
 - DIMENSIONS IN BRACKETS [] ARE IN MILLIMETERS ROUNDED OFF TO THE NEAREST MILLIMETER, UNLESS OTHERWISE NOTED, AND ARE FOR REFERENCE ONLY.
 - FOR USE BY CUSTOMERS THAT HAVE THIS HYPRESS™. NO NEW Y34A HYPRESSES™ ARE BEING PROCESSED. Y34A USES A--D NEST DIES ONLY.
 - CONNECTORS ARE UL LISTED; UNDRILLED VERSIONS ARE NOT UL LISTED.
 - CONNECTORS ARE CSA CERTIFIED; UNDRILLED VERSIONS ARE NOT CSA CERTIFIED.
 - FOR UNDRILLED VERSIONS ADD SUFFIX "-U" TO END OF CATALOG NUMBER. FOR UNDRILLED VERSIONS, USE D MIN. = N MAX. + Z MIN.
 - "X", "W-RT", "W-VT", "U", & "L" DIE SETS ARE COLOR CODED. "A", "B", AND "C" DIES ARE NOT COLOR CODED. NESTS AND INDENTOR TYPE ARE NOT COLOR CODED.

TO ORDER BURNDY® PRODUCTS CALL		COPPER HYLUG™	
UNITED STATES 1-800-346-4175 (LONDONDERRY, NH)		ITEM NO: N/A	CAT. NO: YA-- (TABLE)
CANADA: 1-800-361-6975 (QUEBEC) 1-800-387-6487 (ALL OTHER PROVINCES)		DRAWN BY: J.MICHAUD 1/17/95	CHECKER: D.FILLION 1/17/95
FOR PRODUCT INFO: http://www.burndy.com		DSN APPVL: C.PALAGI 1/18/95	MFG APPVL: N/A
		QA APPVL: C.ACKERMAN 2/03/95	MKT APPVL: T.NELSON 1/20/95
		PROJ #: --	SCALE: NTS
		DOCUMENT TYPE: Sales	SIZE: D
		REL LEVEL: Released	DRAWING NO: SE209241
			REV: D
			SHEET 22 OF 32

REV: PEO200