

DRAWING NO.
SE209241

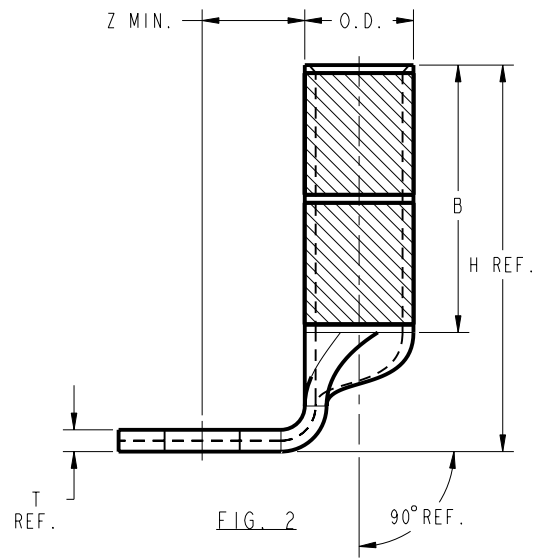
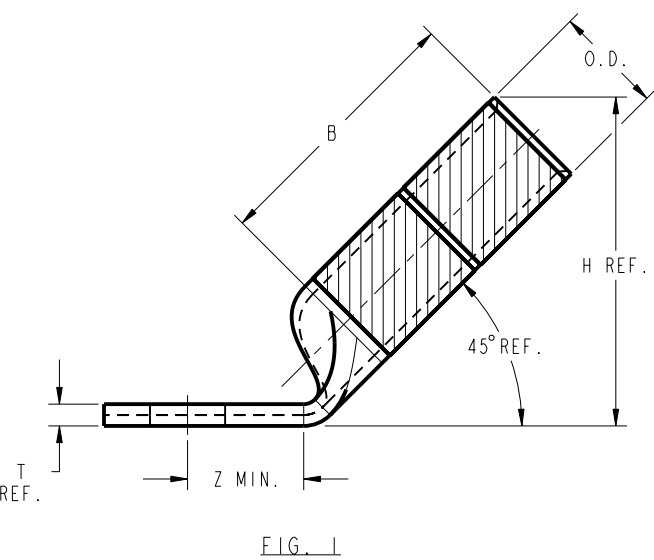
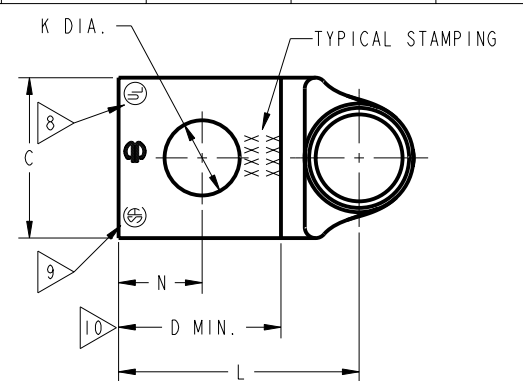
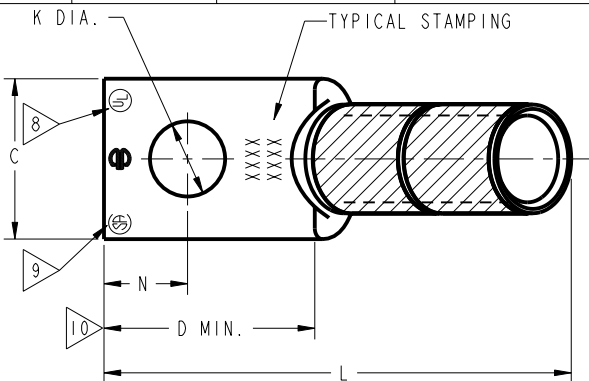
CATALOG NUMBER	STRANDED COPPER CONDUCTOR ACCOMMODATED			BOLT SIZE	METRIC BOLT SIZE	FIG. NO.	DIMENSIONS								
	CODE (AWG)	NAVY	METRIC SIZE (CLASS 2)				B	C	H REF.	K DIA.	L	N	O.D.	T REF.	Z MIN.
YA4145	850 kcmil	-----	-----	5/8	M16	1	2.94 [75]	2.01 [51]	3.85 [98]	.69 [18]	4.82 [122]	.66 [17]	1.38 [35]	.31 [8]	.67 [17]
YA4190						2	2.94 [75]	2.01 [51]	4.49 [114]	.69 [18]	2.23 [57]	.66 [17]	1.38 [35]	.31 [8]	.67 [17]
YA41N45				1/2	M12	1	2.94 [75]	2.01 [51]	3.85 [98]	.56 [14]	4.76 [121]	.63 [16]	1.38 [35]	.31 [8]	.64 [16]
YA41N90						2	2.94 [75]	2.01 [51]	4.49 [114]	.56 [14]	2.17 [55]	.63 [16]	1.38 [35]	.31 [8]	.64 [16]

REV	DATE	DESCRIPTION	ECO	BY	CHK
B	11/09/2011 00:00:00 AM	TOOLING DETAILS UPDATED AS PER MARKUP	25811	DK	MA

CONNECTOR SIZE	TOLERANCES					
	B	C	K DIA.	L	N	O.D.
-8C THRU -25	±.06	±.04	±.02	±.09	±.03	±.01
-26 THRU -34	±.08	±.04	±.02	±.12	±.03	±.01
-35 AND UP	±.09	±.06	±.02	±.15	±.06	±.01

TOLERANCE BLOCK

CATALOG NO.	DIE INFORMATION			MECHANICAL RATCHET				HYDRAULIC						DIELESS (# CRIMPS)	WIRE STRIP LENGTH	
	COLOR CODE	DIE INDEX	TYPE	5 YIMRTC	OUR840	MD6 MD7	MD6--R2 MD7-34R	PATMD6 PAT600	7 Y34A Y34B Y34BH	Y35, Y39 Y750, BAT35 PAT750	4 Y46 PAT46	3 Y45	Y48B			Y60BHU
YA4145 YA4190 YA41N45 YA41N90	GOLD	26	GOLD DIE SET	-----	-----	-----	-----	-----	-----	-----	-----	-----	-----	-----	HYDRAULIC: Y644(1) Y81KFT(4) YY4PC834(4)	3"
NEST INDENTOR			-----	-----	-----	-----	-----	-----	-----	P41D(2) P44PR	-----	C41D(2) Y48PR	-----			



NOTES:

- MATERIAL : COPPER TUBING.
- FINISH: ELECTRO-TIN PLATED.
- CATALOG # PT6515 ADAPTOR IS REQUIRED TO USE "U" DIES IN Y45 SERIES TOOLS.
- CATALOG # PUADP-1 ADAPTOR IS REQUIRED TO USE "U" DIES IN Y46 SERIES TOOLS.
- PERMANENT DIE IN TOOLING.
- DIMENSIONS IN BRACKETS [] ARE IN MILLIMETERS ROUNDED OFF TO THE NEAREST MILLIMETER, UNLESS OTHERWISE NOTED, AND ARE FOR REFERENCE ONLY.
- FOR USE BY CUSTOMERS THAT HAVE THIS HYPRESS™. NO NEW Y34A HYPRESSES™ ARE BEING PROCESSED. Y34A USES A--D NEST DIES ONLY.
- CONNECTORS ARE UL LISTED; UNDRILLED VERSIONS ARE NOT UL LISTED.
- CONNECTORS ARE CSA CERTIFIED; UNDRILLED VERSIONS ARE NOT CSA CERTIFIED.
- FOR UNDRILLED VERSIONS ADD SUFFIX "-U" TO END OF CATALOG NUMBER. FOR UNDRILLED VERSIONS, USE D MIN. = N MAX. + Z MIN.
- "X", "W-RT", "W-VT", "U", & "L" DIE SETS ARE COLOR CODED. "A", "B", AND "C" DIES ARE NOT COLOR CODED. NESTS AND INDENTOR TYPE ARE NOT COLOR CODED.

TO ORDER BURNDY® PRODUCTS CALL
 UNITED STATES
 1-800-346-4175 (LONDONDERRY, NH)
 CANADA:
 1-800-361-6975 (QUEBEC)
 1-800-387-6487 (ALL OTHER PROVINCES)
 FOR PRODUCT INFO: <http://www.burndy.com>

COPPER HYLUG™	
ITEM NO:	N/A
CAT. NO:	YA-45, -90 / YA-N-45, -90
DRAWN BY:	J. MITCHAUD 1/17/95
CHECKER:	D. FILLION 1/17/95
DSN APPVL:	C. PALAGI 1/18/95
MFG APPVL:	N/A
QA APPVL:	C. ACKERMAN 2/03/95
MKT APPVL:	T. NELSON 1/20/95
PROD FAM:	CM&R COMPRESSION
PROJECT #:	---
DOCUMENT TYPE:	Sales
REL LEVEL:	Released
DRAWING NO	SE209241
REV	B
SCALE:	NTS
SHEET	27 OF 32

REV: PE0200