

DRAWING NO.  
SE209241

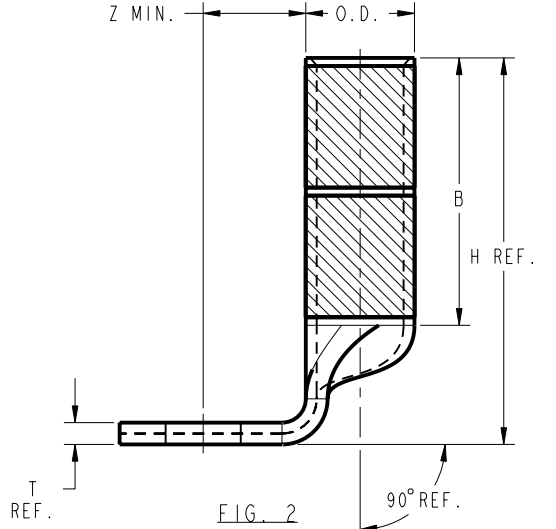
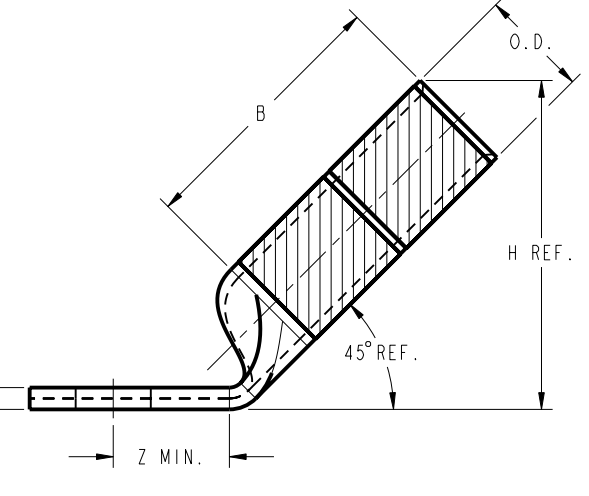
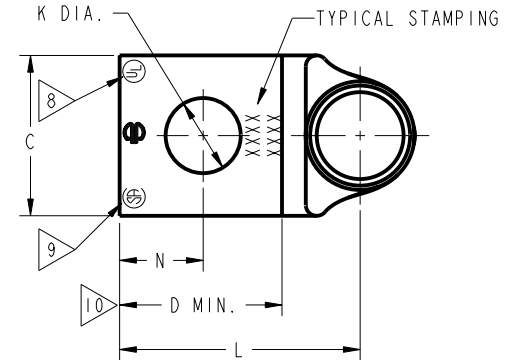
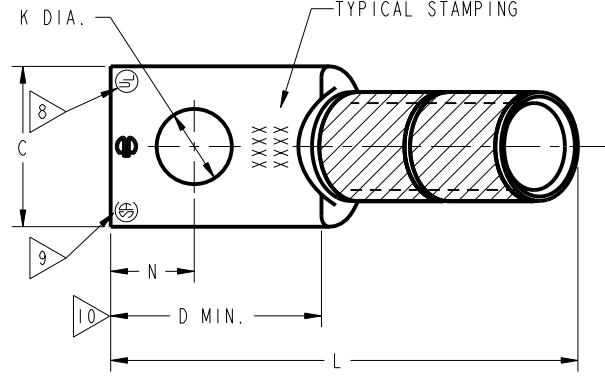
CATALOG NUMBER	CODE (AWG)	NAVY	METRIC SIZE (CLASS 2)	BOLT SIZE	METRIC BOLT SIZE	FIG. NO.	DIMENSIONS								
							B	C	H REF.	K DIA.	L	N	O.D.	T REF.	Z MIN.
YA4645	1500 kcmil	-----	800mm <sup>2</sup> STR [37.6]	3/4	-----	1	3.19 [81]	2.69 [68]	4.62 [117]	.81 [21]	5.64 [143]	.75 [19]	1.84 [47]	.40 [10]	.77 [20]
2						3.19 [81]	2.69 [68]	5.24 [133]	.81 [21]	2.71 [69]	.75 [19]	1.84 [47]	.40 [10]	.77 [20]	
1						3.19 [81]	2.69 [68]	4.62 [117]	.56 [14]	5.39 [137]	.63 [16]	1.84 [47]	.40 [10]	.64 [16]	
2						3.19 [81]	2.69 [68]	5.24 [133]	.56 [14]	2.46 [62]	.63 [16]	1.84 [47]	.40 [10]	.64 [16]	

REV	DATE	DESCRIPTION	ECO	BY	CHK
B	11/09/2011 00:00:00 AM	TOOLING DETAILS UPDATED AS PER MARKUP	25811	DK	MA

CONNECTOR SIZE	TOLERANCES					
	B	C	K DIA.	L	N	O.D.
-8C THRU -25	±.06	±.04	±.02	±.09	±.03	±.01
-26 THRU -34	±.08	±.04	±.02	±.12	±.03	±.01
-35 AND UP	±.09	±.06	±.02	±.15	±.06	±.01

TOLERANCE BLOCK

CATALOG NO.	DIE INFORMATION			MECHANICAL RATCHET				HYDRAULIC						DIELESS (# CRIMPS)	WIRE STRIP LENGTH	
	COLOR CODE	DIE INDEX	TYPE	YIMRTC	OUR840	MD6 MD7	MD6--R2 MD7-34R	PATMD6 PAT600	Y34A Y34B Y34BH	Y35, Y39 Y750, BAT35 PAT750	Y46 PAT46	Y45	Y48B			Y60BHU
YA4645 YA4690 YA46N45 YA46N90	GREEN	31	GREEN DIE SET	-----	-----	-----	-----	-----	-----	-----	P46RT(6)	S46RT(6)	C46R(3)	L46RT(2)	-----	3-5/16"
NEST INDENTOR			-----	-----	-----	-----	-----	-----	-----	-----	P44PR(2)	-----	C46D(3) Y48PR	-----		



- NOTES:
- MATERIAL : COPPER TUBING.
  - FINISH: ELECTRO-TIN PLATED.
  - CATALOG # PT6515 ADAPTOR IS REQUIRED TO USE "U" DIES IN Y45 SERIES TOOLS.
  - CATALOG # PUADP-1 ADAPTOR IS REQUIRED TO USE "U" DIES IN Y46 SERIES TOOLS.
  - PERMANENT DIE IN TOOLING.
  - DIMENSIONS IN BRACKETS [ ] ARE IN MILLIMETERS ROUNDED OFF TO THE NEAREST MILLIMETER, UNLESS OTHERWISE NOTED, AND ARE FOR REFERENCE ONLY.
  - FOR USE BY CUSTOMERS THAT HAVE THIS HYPRESS™. NO NEW Y34A HYPRESSES™ ARE BEING PROCESSED. Y34A USES A--D NEST DIES ONLY.
  - CONNECTORS ARE UL LISTED; UNDRILLED VERSIONS ARE NOT UL LISTED.
  - CONNECTORS ARE CSA CERTIFIED; UNDRILLED VERSIONS ARE NOT CSA CERTIFIED.
  - FOR UNDRILLED VERSIONS ADD SUFFIX "-U" TO END OF CATALOG NUMBER. FOR UNDRILLED VERSIONS, USE D MIN. = N MAX. + Z MIN.
  - "X", "W-RT", "W-VT", "U", & "L" DIE SETS ARE COLOR CODED. "A", "B", AND "C" DIES ARE NOT COLOR CODED. NESTS AND INDENTOR TYPE ARE NOT COLOR CODED.
  - INDENTOR ONLY - NO NEST REQUIRED.

REFERENCE: SD79849

TO ORDER BURNDY® PRODUCTS CALL		COPPER HYLUG™	
UNITED STATES 1-800-346-4175 (LONDONDERRY, NH)		ITEM NO: N/A	CAT. NO: YA-45, -90 / YA-N-45, -90
CANADA: 1-800-361-6975 (QUEBEC) 1-800-387-6487 (ALL OTHER PROVINCES)		DRAWN BY: J.MITCHELL 1/17/95	CHECKER: D.FILLION 1/17/95
FOR PRODUCT INFO: <a href="http://www.burndy.com">http://www.burndy.com</a>		DSN APPVL: C.PALAGI 1/18/95	MFG APPVL: N/A
		QA APPVL: C.ACKERMAN 2/03/95	MKT APPVL: T.NELSON 1/20/95
		PROJ #:	SCALE: NTS
		SIZE: D	DRAWING NO: SE209241
		DOCUMENT TYPE: Sales	REV: B
		REL LEVEL: Released	SHEET 30 OF 32

REV: PE0200