

DRAWING NO.  
SE209512

CATALOG NUMBER	STRANDED COPPER CONDUCTOR ACCOMMODATED			BOLT SIZE	METRIC BOLT SIZE	FIG. NO.	DIMENSIONS									
	CODE (AWG)	NAVY	METRIC SIZE (CLASS 2)				B	C	E	H REF	K DIA	L	N	O.D.	T REF	Z MIN
YA6C2L5145	#6 AWG	-----	-----	#10	-----	1	.54 [14]	.42 [11]	.50 [13]	.78 [20]	.21 [5]	1.78 [45]	.22 [6]	.29 [7]	.09 [2]	.27 [7]
YA6C2L5190						2	.54 [14]	.42 [11]	.50 [13]	.94 [24]	.21 [5]	1.23 [31]	.22 [6]	.29 [7]	.09 [2]	.27 [7]
YA6CL2TC1045						1	.62 [16]	.78 [20]	.21 [5]	1.94 [49]	.25 [6]	.29 [7]	.09 [2]	.27 [7]		
YA6CL2TC1090						2	.62 [16]	.94 [24]	.21 [5]	1.39 [35]	.25 [6]	.29 [7]	.09 [2]	.27 [7]		
YA6CL2TC10E245						1	.75 [19]	.78 [20]	.21 [5]	2.06 [52]	.25 [6]	.29 [7]	.09 [2]	.27 [7]		
YA6CL2TC10E290						2	.75 [19]	.94 [24]	.21 [5]	1.51 [38]	.25 [6]	.29 [7]	.09 [2]	.27 [7]		
YA6CL2TC10E145						1	1.00 [25]	.78 [20]	.21 [5]	2.31 [59]	.25 [6]	.29 [7]	.09 [2]	.27 [7]		
YA6CL2TC10E190						2	.42 [11]	1.00 [25]	.94 [24]	.21 [5]	1.76 [45]	.25 [6]	.29 [7]	.09 [2]	.27 [7]	
YA6C2L5245						1	.45 [11]	.50 [13]	.77 [20]	.27 [7]	1.85 [47]	.25 [6]	.29 [7]	.08 [2]	.33 [8]	
YA6C2L5290						2	.54 [14]	.45 [11]	.50 [13]	.91 [23]	1.32 [34]	.25 [6]	.29 [7]	.08 [2]	.33 [8]	

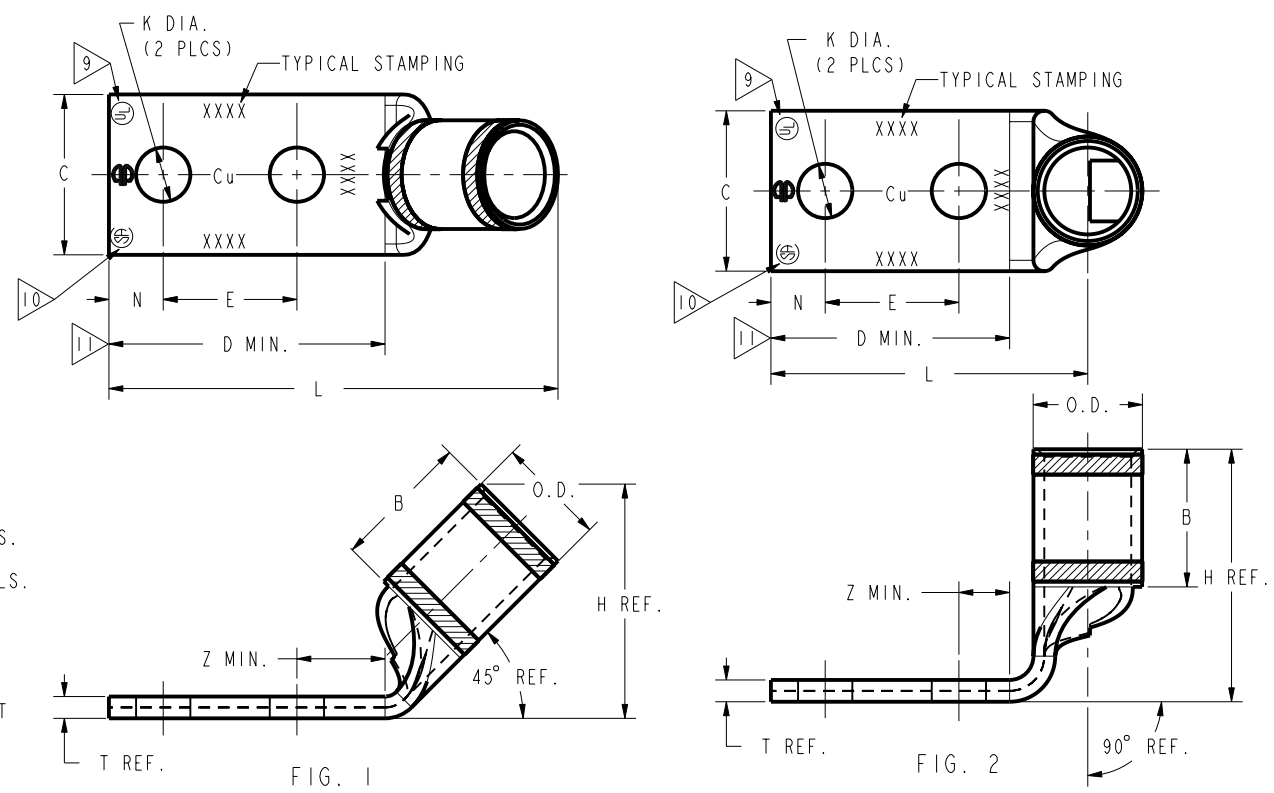
REV	DATE	DESCRIPTION	ECO	BY	CHK	MA
C	3/20/2010 9:00:00 PM	REDRAWN IN PROE	18198	DK	MA	

CONNECTOR SIZE	TOLERANCES						
	B	C	E	K DIA	L	N	O.D.
-8C THRU -25	±.06	±.04 ±.02	±.02	±.02	±.09	±.03	±.01
-26 THRU -34	±.08	±.04 ±.02	±.02	±.02	±.12	±.03	±.01
-35 AND UP	±.09	±.06	±.02	±.02	±.15	±.06	±.01

TOLERANCE BLOCK

INSTALLATION TOOLING (# CRIMPS)

CATALOG NO.	COLOR CODE	DIE INFORMATION			MECHANICAL					HYDRAULIC				DIELESS (# CRIMPS)	WIRE STRIP LENGTH		
		DIE INDEX	TYPE	Y2MR	OUR840	MD6 MD7	MD6--R2 BAT500	MD7-34R	BCT500 YCT500	Y34A Y34B Y34BH	Y35, Y39 Y750, BAT35 BAT750	Y46	Y45			Y48B	Y60BHU
AS SHOWN ABOVE	BLUE	7 374	BLUE DIE SET NEST INDENTOR	BLUE (1)	X5CRT(1) X8CABT(1)	W5CRT(1) W5CVT(1)	W5CRT(1) W5CVT(1)	W5CRT(1) W5CVT(1)	X5CRT(1) X8CABT(1) W5CRT(1) W5CVT(1)	-----	U5CRT(1) U8CABT(1)	U5CRT(1) U8CABT(1)	U5CRT(1) U8CABT(1)	-----	-----	MECHANICAL: MY29-3(1) MY29-11(1)	5/8"
										B6CD(1) A6CD(1) Y34PR	U6CD-1(1) Y34PR	U6CD-1(1) Y34PR	U6CD-1(1) Y34PR				



- NOTES:
- MATERIAL: COPPER TUBING.
  - FINISH: ELECTRO-TIN PLATED.
  - CATALOG# PT6515 ADAPTOR IS REQUIRED TO USE "U" DIES IN Y45 SERIES TOOLS.
  - CATALOG# PUADP-1 ADAPTOR IS REQUIRED TO USE "U" DIES IN Y46 SERIES TOOLS.
  - Y35P3 INDENTOR ADAPTOR REQUIRED FOR Y34PR INDENTOR.
  - PERMANENT DIE IN TOOLING.
  - DIMENSIONS IN BRACKETS [ ] ARE IN MILLIMETERS ROUNDED OFF TO THE NEAREST MILLIMETER, UNLESS OTHERWISE NOTED, AND ARE FOR REFERENCE ONLY.
  - FOR USE BY CUSTOMERS THAT HAVE THIS HYPRESS™. NO NEW Y34A HYPRESS™ TOOLS ARE BEING PROCESSED. Y34A USES A--D NEST DIES ONLY.
  - CONNECTORS ARE UL LISTED; UNDRILLED VERSIONS ARE NOT UL LISTED.
  - CONNECTORS ARE CSA CERTIFIED; UNDRILLED VERSIONS ARE NOT CSA CERTIFIED.
  - FOR UNDRILLED VERSIONS ADD SUFFIX "-U" TO END OF CATALOG NUMBER. FOR UNDRILLED VERSIONS, USE D MIN. = N MAX. + E MIN. + Z MIN.
  - "X", "W-RT", "W-VT", "U", & "L" DIE SETS ARE COLOR CODED. "A", "B", AND "C" DIES ARE NOT COLOR CODED. NESTS AND INDENTOR TYPE ARE NOT COLOR CODED.

REFERENCE: SD035209

TO ORDER BURNDY® PRODUCTS CALL		COPPER HYLUG™	
UNITED STATES 1-800-346-4175 (LONDONDERRY, NH)		ITEM NO: --	DRAWING NO
CANADA: 1-800-361-6975 (QUEBEC) 1-800-387-6487 (ALL OTHER PROVINCES)		CAT. NO: YA6C- & YA6CL- (TABLE)	REV
FOR PRODUCT INFO: <a href="http://www.burndy.com">http://www.burndy.com</a>		DRAWN BY: J. MICHAUD 02/03/95	SCALE: 1:1
		CHECKER: D. FILLION 02/21/95	SIZE
		DSN APPVL: C. PALAGI 03/09/95	SE209512
		MFG APPVL: N/A	SHEET 3 OF 52
		QA APPVL: C. ACKERMAN 04/03/95	
		MKT APPVL: T. NELSON 03/13/95	
		PROJ #:	
		DOCUMENT TYPE: Sales	
		REL LEVEL: Released	

REV: PEO200