

CATALOG NO.	FIG. NO.	WIRE SIZE (CU.)	DIE INDEX	COLOR CODE	EMBOSSMENT
P44RT	1	1000 kcmil	27	WHITE	● 27
P40RT	1	800 kcmil	25	ORANGE	● 25
P44XRT1	1	750 FLEX	L115	YELLOW	● L115

CAT. NO.	FIG. NO.	CONNECTOR SERIES	DIE INDEX	COLOR CODE	EMBOSSMENT	GAGE CAT. NO.
P1103	1	YCHC39TC...SERIES	1103	BLUE	● 1103	PPG1103
P654	2	YH29...SERIES	654	PURPLE	● 654	PPG654
P1104	2	YCHC34TC.YH34.SERIES	1104	BROWN	● 1104	PPG1104
PYFR	2	YH4429 & YH39...SERIES	K-R	YELLOW	● K-R	PPGKR
P1102	2	YCHC44TC44, YH4444	1102	WHITE	● 1102	PPG1102
P1011	-	HYGROUND™	1011	- -	● 1011	PPG1011
P998	-	HYGROUND™	998	- -	● 998	PPG998

REV.	DATE	DESCRIPTION	ECO	BY	C'H'K.
B	02/18/2015 12:45:00 PM	DRAWING UPDATED AS PER MARKUP	39110	CS	MB

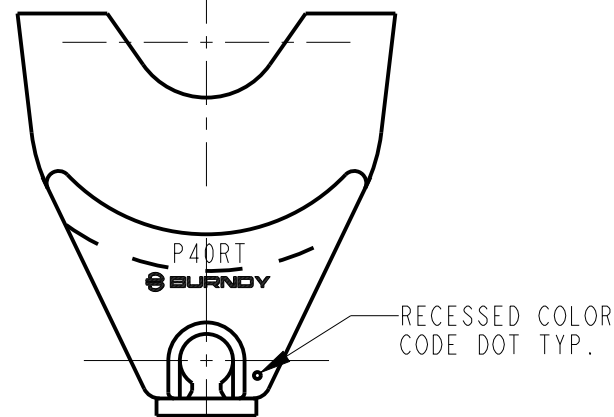
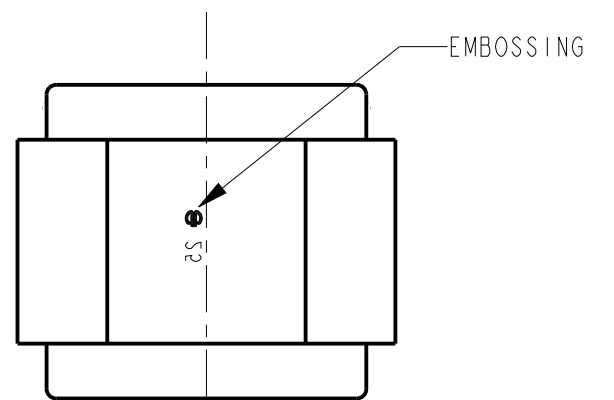


FIG. 1
NON-BUTTING CIRCULAR

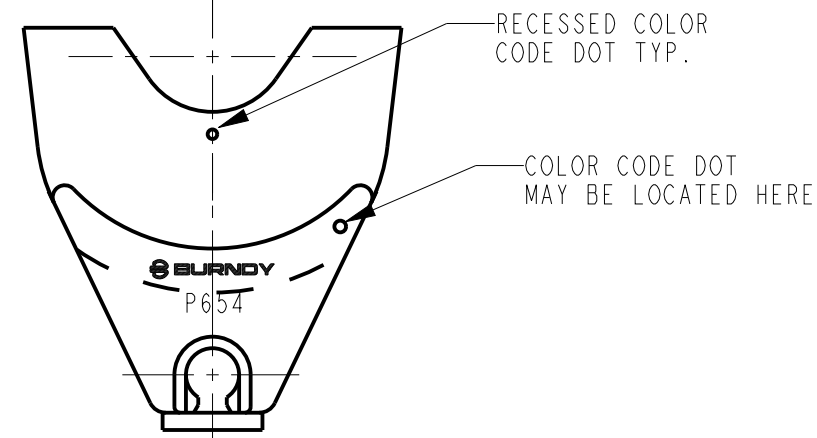
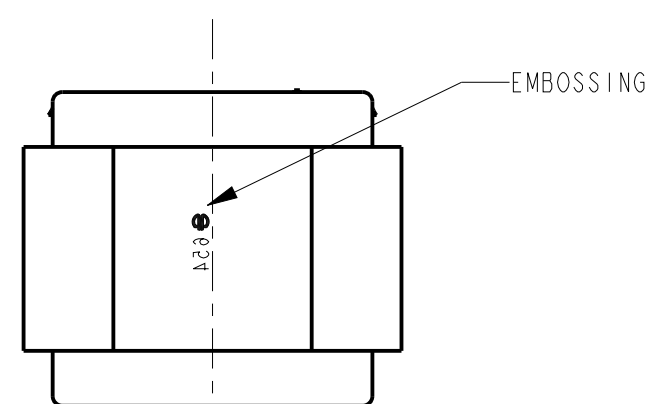


FIG. 2
NON-BUTTING RADIAL

TO ORDER BURNDY® PRODUCTS CALL
 UNITED STATES:
 1-800-346-4175 (LONDONDERRY, NH)
 CANADA:
 1-800-361-6975 (QUEBEC)
 1-800-387-6487 (ALL OTHER PROVINCES)
 FOR PRODUCT INFO: <http://www.burndy.com>

"P" DIES	
ITEM NO: N / A	
CAT. NO: P- (TABLE)	
DRAWN BY: R. PERREault 05/30/1995	
CHECKER: J. LEFAVOUR 06/05/1995	
DSN APPVL: J. LEFAVOUR 06/05/1995	
MFG APPVL: N/A	
QA APPVL: D. VARIO 06/20/1995	
MKT APPVL: T. NELSON 06/20/1995	
PROJ #:	SCALE: 1:1
DOCUMENT TYPE: Sales	DRAWING NO
REL LEVEL: Released	REV
	SIZE
	B
	SE209793-01
	SHEET 1 OF 1
	B