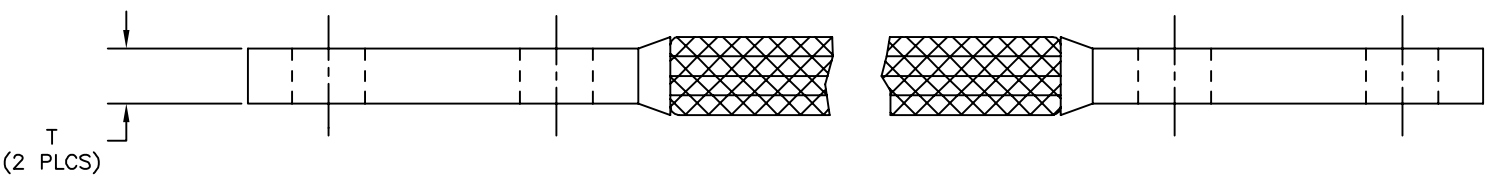
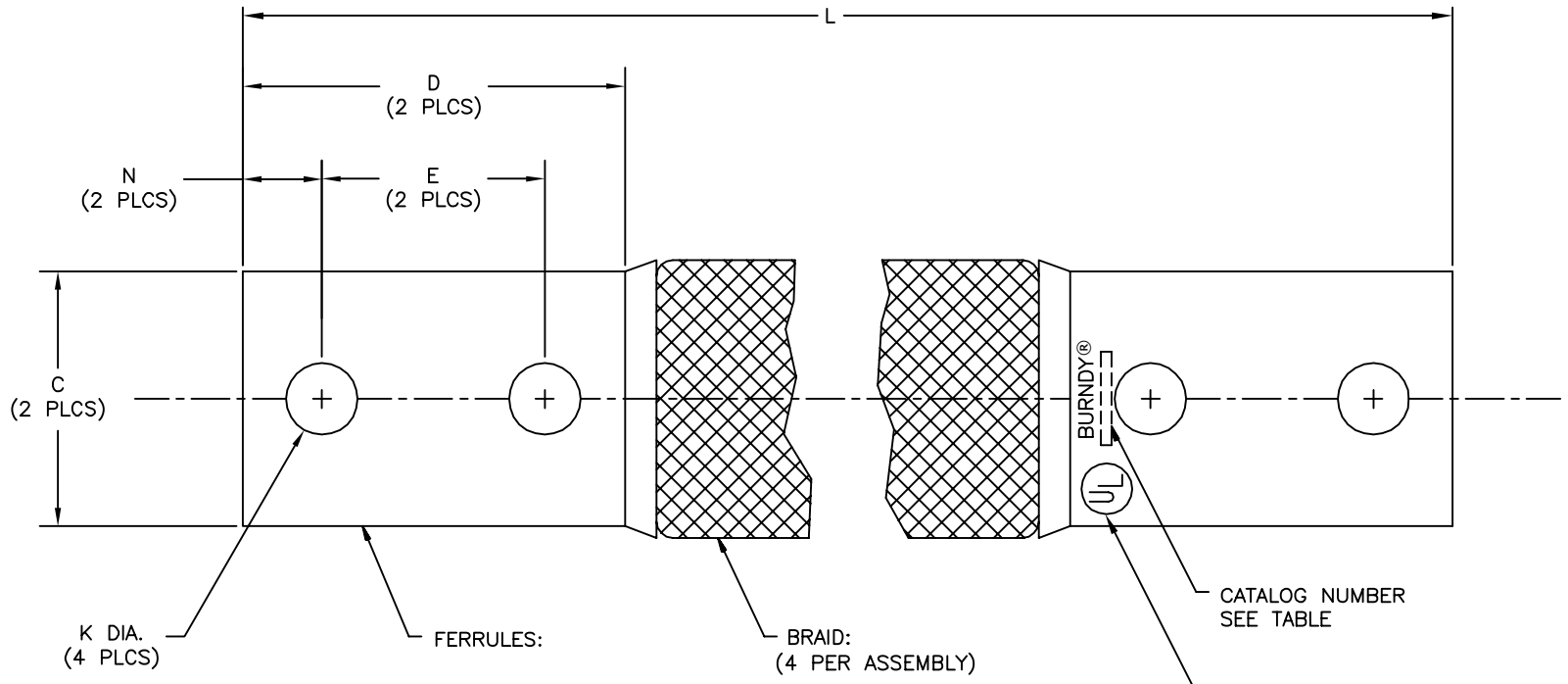


REV.	DATE	DESCRIPTION	ECO	BY	C'K'D.
E	08/17/2012	ADD CAT. # B4E18N	28542	SV	MB

CATALOG NUMBER	NO. OF BRAIDS IN FERRULE	DIMENSIONS							APPROX. AMP RATING		
		C	D	E	K DIA.	L	N	T	INDOOR	OUTDOOR	
B4D12	4	1.19 [30]	2.50 [64]	1.25 [32]	.44 [11]	12.00 [305]	.62 [16]	.32 [8]	600	720	
B4D12N		1.19 [30]	3.00 [76]	1.75 [44]	.56 [14]	12.00 [305]	.62 [16]	.32 [8]	600	720	
B4D14N		1.19 [30]		1.75 [44]	.56 [14]	14.00 [356]	.62 [16]	.32 [8]	600	720	
B4E12		1.64 [42]		1.50 [38]	.44 [11]	12.00 [305]	.75 [19]	.38 [10]	850	1020	
B4E12N				1.75 [44]	.56 [14]	12.00 [305]	.62 [16]				
B4E18N				1.75 [44]	.56 [14]	18.00 [457]	.62 [16]				
B4E30				1.50 [38]	.44 [11]	30.00 [762]	.75 [19]				
B4E30TN		1.64 [42]		1.50 [38]	.44 [11]	30.00 [762]	.75 [19]	.38 [10]	850	1020	
B4F12				1.50 [38]	.44 [11]	12.00 [305]	.75 [19]	.78 [20]	1000	1200	
B4F30				1.50 [38]	.44 [11]	30.00 [762]	.75 [19]	.78 [20]	1200	1440	
B4G12			1.69 [43]	3.00 [76]	1.50 [38]	.44 [11]	12.00 [305]	.75 [19]	.94 [24]	1200	1440



NOTES:

- MATERIAL: FERRULES - COPPER
BRAID - TINNED COPPER
- FINISH: CATALOG NUMBER FOLLOWED BY 'TN' INDICATES TIN PLATED FERRULES.
- CATALOG NUMBERS ENDING IN 'N' INDICATES THE FERRULES ARE TWO HOLE NEMA DRILLED.
- THIS RATING MAY VARY WITH AMBIENT CONDITIONS, ORIENTATION OF THE BRAID, AND OTHER SERVICE CONDITIONS.
- DIMENSIONS IN BRACKETS [] ARE IN MILLIMETERS ROUNDED OFF TO THE NEAREST MILLIMETER, UNLESS OTHERWISE NOTED, AND ARE FOR REFERENCE ONLY.
- ALL SIZES ARE LISTED TO UL 467 GROUNDING & BONDING EQUIPMENT STANDARDS.
- BRAID SIZES MAY BE DESIGNATED BY SUFFIXES REPRESENTING VARIATIONS IN LENGTH, QUANTITY & SIZE OF MOUNTING HOLES, PAD SIZE AND FINISH. (REF. NOTES)

TO ORDER BURNDY® PRODUCTS CALL
 UNITED STATES:
 1-800-346-4175 (LONDONDERRY, NH)
 CANADA:
 1-800-361-6975 (QUEBEC)
 1-800-387-6487 (ALL OTHER PROVINCES)
 FOR PRODUCT INFO: <http://www.burndy.com>

FLEXIBLE BRAID JUMPER	
ITEM NO: N/A	
CAT NO: B4---- (TABLE)	
SCALE: N/A	
DRAWN BY: R PERRAULT 11/3/95	
CHECKER: J MICHAUD 11/3/95	
DSN APPVL: G ZAHLMAN 11/14/95	
MFG APPVL: -- --	
QC APPVL: C VARIO 11/14/95	
MKT APPVL: C CHADBOURNE 11/3/95	
PROD FAM: --	
PROJECT #: --	
DOCUMENT TYPE: Sales	
REL LEVEL: AutoCAD	
DRAWING NO	REV
SE210201	E
SHEET 3 OF 3	

