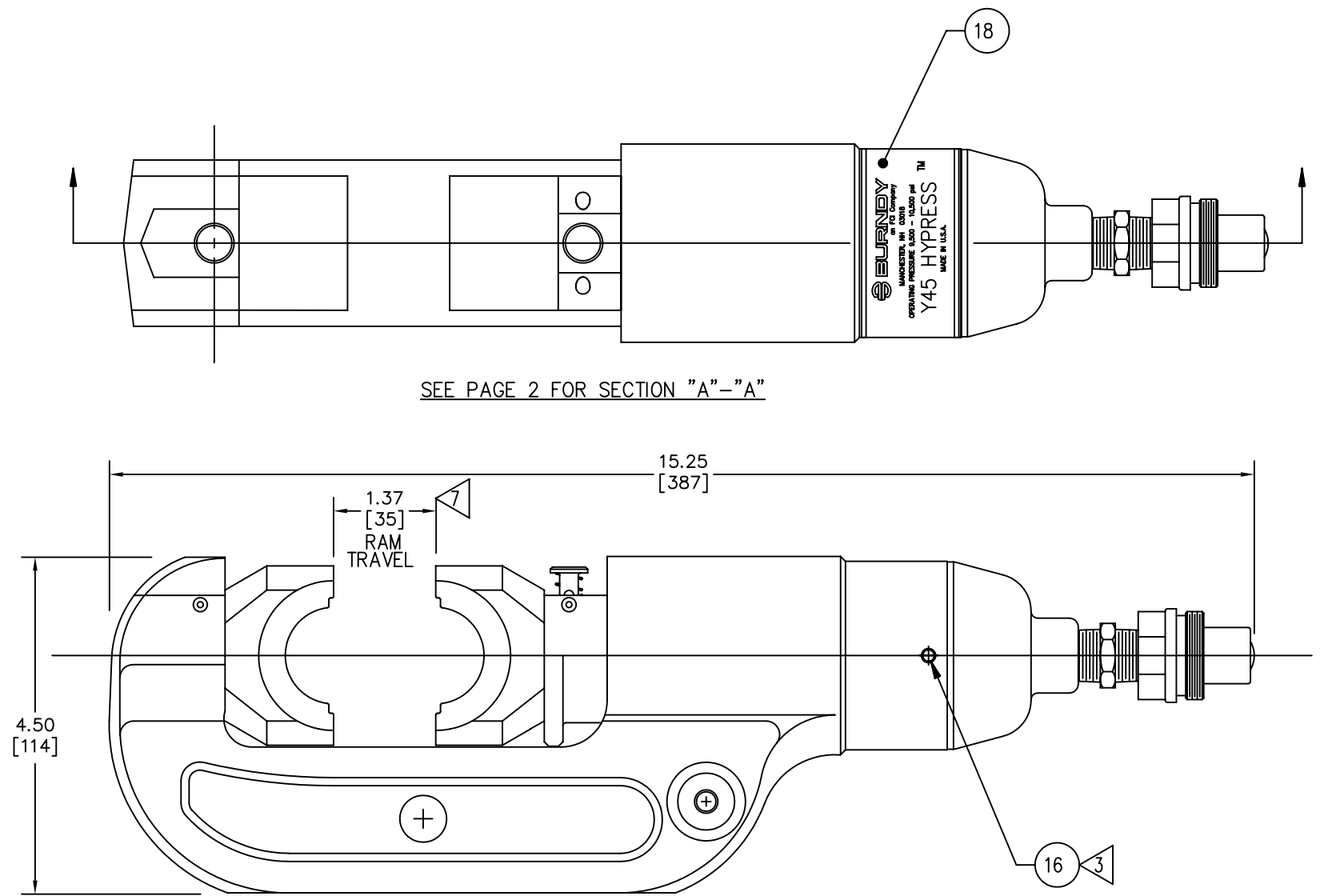


*** **BILL OF MATERIAL** ***

REV.	DATE	DESCRIPTION	ECO	BY	C'K'D.
2	3/31/98	CHNG'D PT23400 TO PT30538 & 31FX100SHCS 1.00 LG. TO 31FX75SHCS .75 LG.	4096	PL	KH

ITEM	CATALOG NO.	QTY	DESCRIPTION
1	PT209541	1	HYPRESS HEAD
2	433-201717-003	1	END CAP
3	PT209542	1	PISTON
4	PT209517	1	DIE HOLDER
5	PT23415	1	SPRING HOLDER, UPPER
6	PT23410	1	SPRING HOLDER, LOWER
7	PT30538	1	RETURN SPRING
8	PT209543	2	DIE PIN
9	PT11454	2	COMPRESSION SPRING, .36 OD X Ø.026 X .62 LG, SS
10	078X62RLPN	2	SPRING PIN, Ø.078 X .62 LG
11	PT94	1	COUPLING, MALE
12	PT11148	1	ADAPTER, 3/8 NPT MALE TO 3/8 NPT MALE
13	433-80970-007	2	SEAL, HIGH PRESSURE
14	38CX62SHCS	1	CAP SCREW, SKT HD, 3/8-16 X .62 LG
15	31FX75SHCS	1	CAP SCREW, SKT HD, 5/16-24 X .75 LG
16	PT6554	1	SET SCREW, HEX SKT, NYLON TIP, #10-32 X .23 LG
17	411-205851-011	1	WIPER RING
18	411-205977-010	1	LABEL, Y45
NOT SHOWN	PT206016	1	CARRYING CASE
NOT SHOWN	ALFU55DRUM	3.5 in. ³	HYDRAULIC FLUID
NOT SHOWN	PT204438-01	1	WARRANTY CARD, 5 YEAR
NOT SHOWN	Y46C-CARTON	1	CARTON
NOT SHOWN	7633THERMAL	1	THERMAL LABEL



OPERATING	PRESSURE		FORCE	
	MIN	MAX	MIN	MAX
	9,500 psi	10,500 psi	29,800 lbs	32,900 lbs
	615 bar	724 bar	133 kn	146 kn
FLUID	BURNDY 'ALFLUID' OR 'HYFLUID'			

SUPERSEDES: SE206098
SE205907

FEATURES:

- WEIGHT: 15.5 lbs [7 kg].
- TOOL CASE WITH DIE HOLDER TRAY INCLUDED.
- OPTIONAL HOTSTICK ADAPTOR AVAILABLE (CAT. NO. PT23484).
- OPTIONAL ADAPTOR FOR USE WITH "U" DIE SETS AVAILABLE (CAT. NO. PT6515).
- ALSO AVAILABLE WITH MOLDED RUBBER COVERING (CAT. NO. Y45-1).
- ALSO AVAILABLE IN 6,000 psi [414 bar] OPERATING PRESSURE VERSION (CAT. NO. Y45L).
- APPLICABLE FOR BUTTING DIES. RAM TRAVEL FOR NON BUTTING DIES WILL VARY.
- DIMENSIONS IN BRACKETS [] ARE IN MILLIMETERS, ROUNDED OFF TO THE NEAREST MILLIMETER, UNLESS OTHERWISE NOTED AND ARE FOR REFERENCE ONLY.

TO ORDER BURNDY® PRODUCTS CALL UNITED STATES: 1-800-346-4175 (LONDONDERRY, NH) CANADA: 1-800-361-6975 (QUEBEC) 1-800-387-6487 (ALL OTHER PROVINCES) FOR PRODUCT INFO: http://www.burndy.com		Y45 HYPRESS™	
		ITEM NO: N/A	CAT NO: Y45
SCALE: 1/1 DRAWN BY: A MONTMINY 22/MAR/96 CHECKER: M LAROCHELLE 15/APR/96 DSN APPVL: G HESKEY 25/MAR/96 MFG APPVL: --- QC APPVL: D VARIO 27/MAR/96 MKT APPVL: M BLAKE 9/APR/96			
PROJECT #: --- DOCUMENT TYPE: Sales REL LEVEL: AutoCAD		DRAWING NO SE210372	REV 2
		SHEET 1 OF 2	