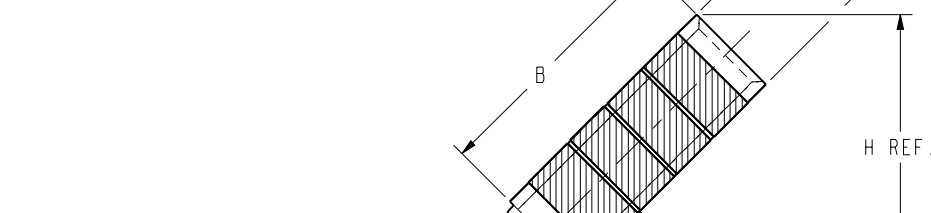
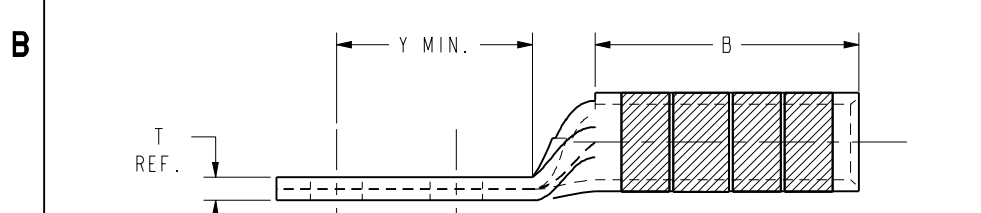
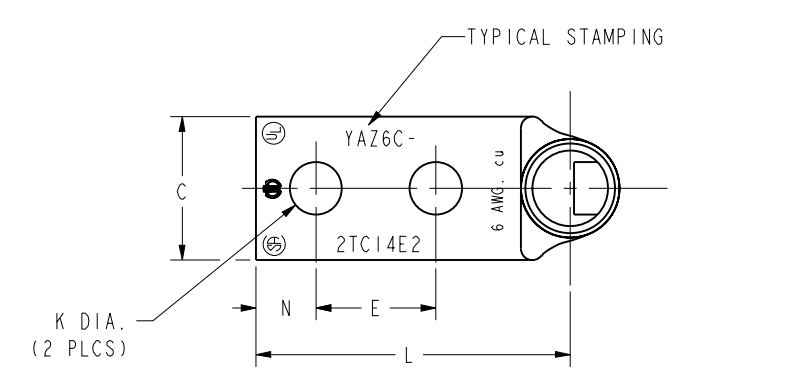
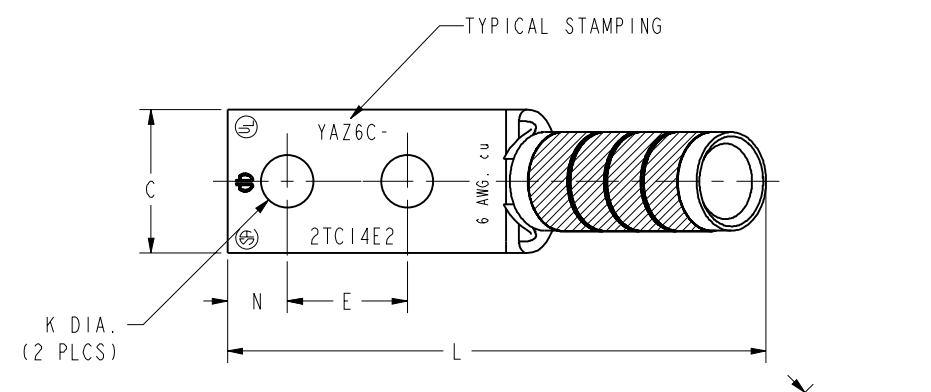
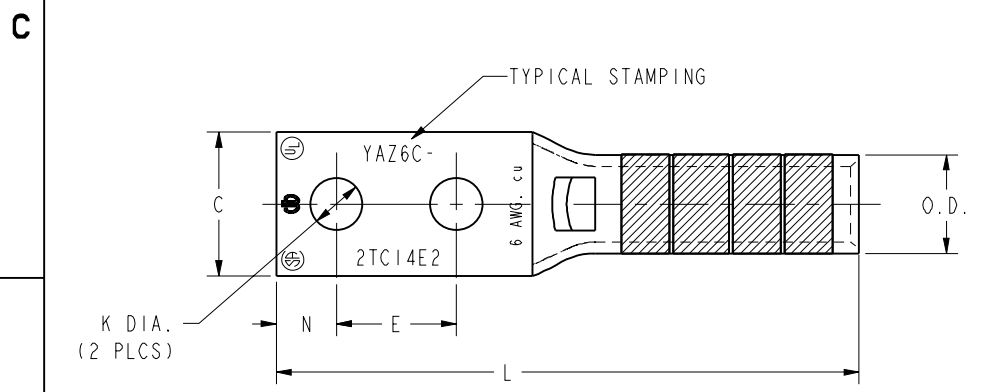


DRAWING NO. SE211915	7		6		5		4		3		2		1													
	CONDUCTOR		BOLT SIZE	FIG. NO.	DIMENSIONS								INSTALLATION TOOLING (# CRIMPS)													
	CODE (AWG)	NAVY $\triangle 5$			B $\pm .03$	C $+.04$ $-.02$	E $\pm .02$	H REF.	K DIA. $\pm .02$	L $\pm .06$	N $\pm .04$	O.D. $\pm .01$	T REF.	Y MIN.	DIE INDEX	COLOR CODE	MECHANICAL			HYDRAULIC			DIELESS (# CRIMPS)	WIRE STRIP LENGTH		
CATALOG NO.																MD7-34R MD6	OUR840	YIMRT $\triangle 6$ Y122CMR	Y34A $\triangle 8$	Y750 Y35, Y39	Y46 $\triangle 4$	Y45 $\triangle 3$				
YAZ6C2TC14E2	#6 STR	30	1/4 [M6]	1	1.12 [28]	.45 [11]	.75 [19]	----	.27 [7]	2.78 [71]	.31 [8]	.29 [7]	.08 [2]	1.09 [28]	7 OR 374	BLUE	W5CVT W5CRT (2)	W5CVT W5CRT (2)	BLUE (2)	A5CR (2)	U5CRT U8CABT (2)	U5CRT U8CABT (2)	U5CRT U8CABT (2)	MECHANICAL: MY29-11 (1)  HYDRAULIC: Y644 (1) $\triangle 9$ PAT644 (1) Y81KFT (1) PAT81KFT (1)	1-3/16	
YAZ6C2TC14E245	#6 SOL			2																						
YAZ6C2TC14E290 $\triangle 10$				3																						
YAZ6C2TC14E1				1																						
YAZ6C2TC14E145			1/4 [M6]	2			1.00 [25]	1.19 [30]		2.83 [72]			.08 [2]	1.34 [34]												
YAZ6C2TC14E190 $\triangle 10$				3						1.88 [48]																
YAZ6C2TC14E9				1						2.53 [64]																
YAZ6C2TC14E945			1/4 [M6]	2			.50 [13]	1.19 [30]		2.33 [59]			.08 [2]	.84 [21]												
YAZ6C2TC14E990 $\triangle 10$	#6 STR	30		3	1.12 [28]	.45 [11]				1.38 [35]	.31 [8]	.29 [7]														
YAZ6C2TC14E16	#6 SOL			1			1.75 [44]	----		3.78 [96]				2.09 [53]												



NOTES:

- MATERIAL: COPPER TUBING.
- FINISH: TIN PLATED
- CATALOG # PT6515 ADAPTOR IS REQUIRED TO USE "U" DIES IN Y45 SERIES TOOLS.
- CATALOG # PUADP-1 ADAPTOR IS REQUIRED TO USE "U" DIES IN Y46 SERIES TOOLS.
- NAVY CABLE SIZE MAY BE OMITTED ON SOME SIZES BECAUSE OF SPACE LIMITATIONS.
- PERMANENT DIE IN TOOLING.
- DIMENSIONS, METRIC WIRE, & METRIC BOLT SIZES IN BRACKETS [ ] ARE IN MILLIMETERS. DIMENSIONS ARE ROUNDED OFF TO THE NEAREST MILLIMETER, UNLESS OTHERWISE NOTED, AND ARE FOR REFERENCE ONLY.
- FOR USE BY CUSTOMERS THAT HAVE THIS HYPRESS™ NO NEW Y34A HYPRESS™ ARE BEING PROCESSED.
- DO NOT USE PAT644 OR Y644 TOOLING WITH 6 AWG SOL.
- THESE CATALOG NUMBERS CANNOT BE INSTALLED WITH Y45 TOOLING.

TO ORDER BURNDY® PRODUCTS CALL  
 UNITED STATES  
 1-800-346-4175 (LONDONDERRY, NH)  
 CANADA:  
 1-800-361-6975 (QUEBEC)  
 1-800-387-6487 (ALL OTHER PROVINCES)  
 FOR PRODUCT INFO: <http://www.burndy.com>

REV		DATE	DESCRIPTION	ECO	BY	C'H'K.
F		08/28/2017	CATALOG NUMBER YAZ6C2TC14E16 ADDED	47507	DD	NJS

ITEM NO: N/A		HYLUG™	
CAT. NO: YAZ6C-2TC- (SEE TABLE)			
DRAWN BY: D. BOISVERT	11/11/98		
CHECKER: K. HENRY	12/03/98		
DSN APPVL: B. MACDONALD	12/02/98		
MFG APPVL: N/A	--		
QA APPVL: S. GARY	11/30/98		
MKT APPVL: B. HARDGROVE	11/25/98		
PROD FAM: --		DRAWING NO:	REV
PROJECT #: FPNI602130	SIZE	SE211915	F
DOCUMENT TYPE: Sales	D	SHEET 6 OF 36	
REL LEVEL: Released			

REV: PE0200