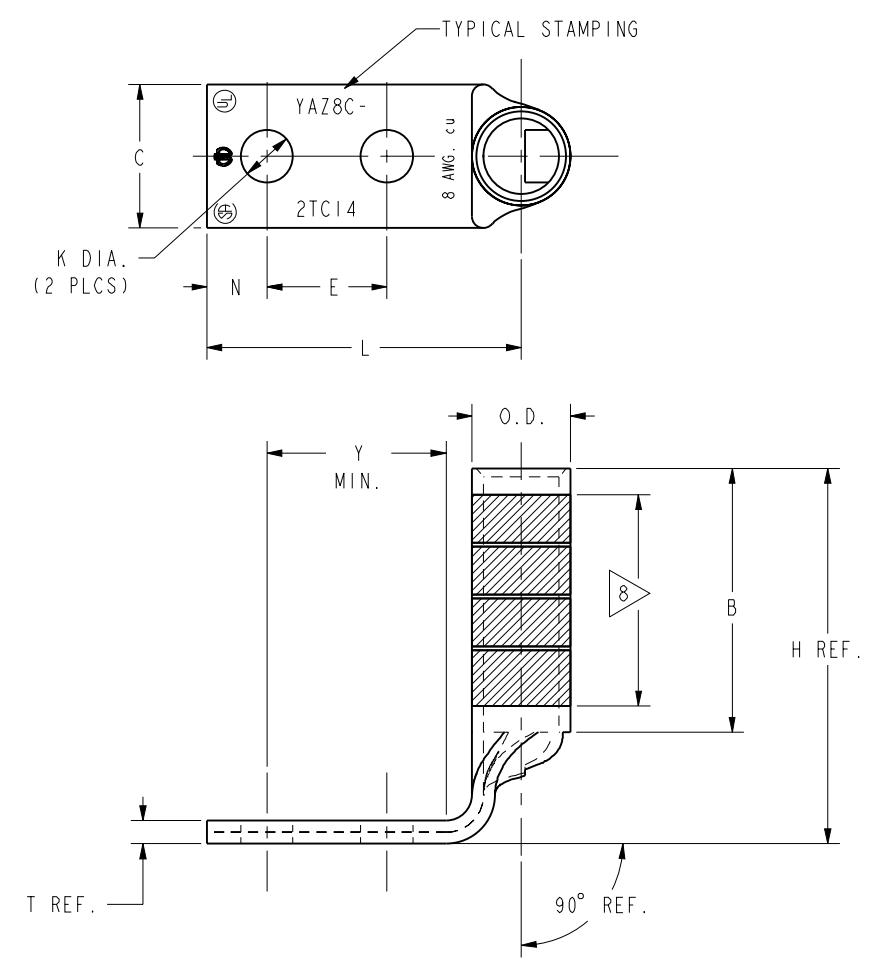
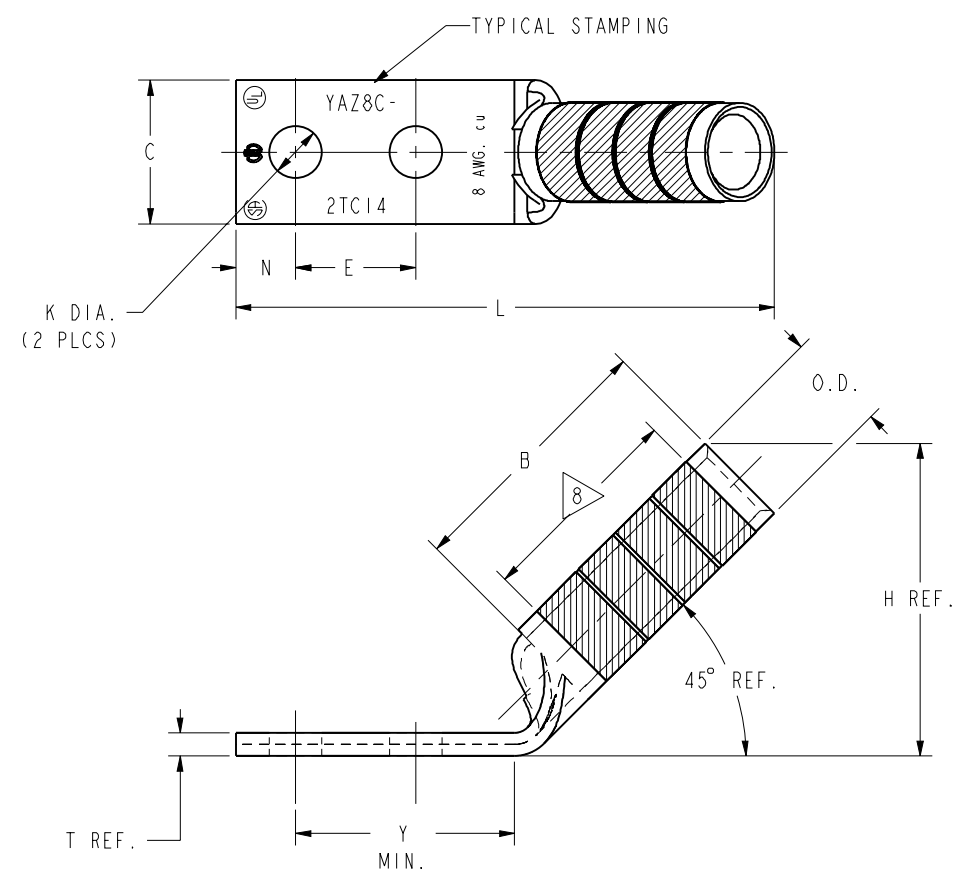
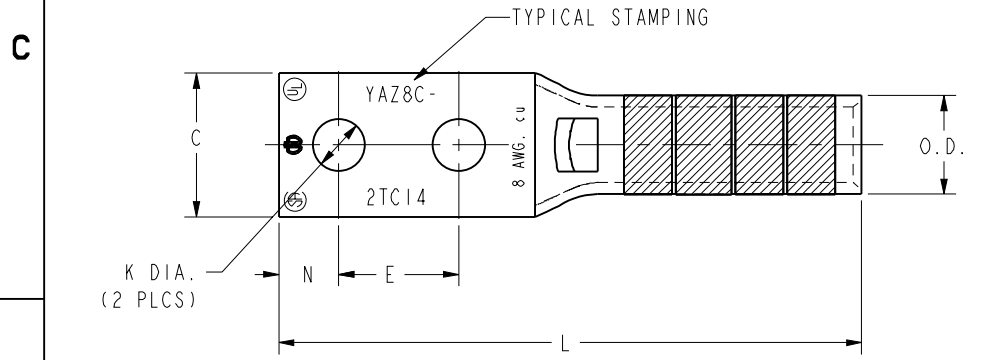


REV	DATE	DESCRIPTION	ECO	BY	C'H'K.
B	02/01/2016 09:30:00 AM	NOTE 9 ADDED	41185	BSB	RG

CATALOG. NO.	CONDUCTOR		BOLT SIZE	FIG. NO.	DIMENSIONS										INSTALLATION TOOLING (# CRIMPS)													
	CODE (AWG)	NAVY			B ±.06	C ±.04	E ±.02	H MAX.	K DIA. ±.02	L ±.09	N ±.04	O.D. ±.01	T REF.	Y MIN.	DIE INDEX	COLOR CODE	MECHANICAL			HYDRAULIC				DIELESS (# CRIMPS)	WIRE STRIP LENGTH			
																	MD7-34R MD6	OUR840	Y8MRB-1 Y2MR	BC1500 Y500CT	Y750 Y35, BAT35 Y39, BAT750	Y46	Y45					
YAZ8C2TC14	#8 AWG [10mm ² STR]	23	1/4 [M6]	1	.75 [19]	.44 [11]	----	.27 [7]	2.19 [56]	.31 [8]	.27 [7]	.08 [2]	.96 [24]	49	RED	8	8	RED (2)	8	8	8	8	MECHANICAL: MY29-11 (1)	7/8				
YAZ8C2TC1445				2	.62 [16]	.90 [23]	2.11 [54]	8	8	8	8	8		8	8	8	8	8	8	8	8	8			8	8	8	
YAZ8C2TC1490				3	1.00 [25]	1.49 [38]	8	8	8	8	8	8		8	8	8	8	8	8	8	8	8			8	8	8	8
YAZ8C2TC14E2				1	----	2.32 [59]	8	8	8	8	8	8		8	8	8	8	8	8	8	8	8			8	8	8	8
YAZ8C2TC14E245				2	.75 [19]	.90 [23]	2.24 [57]	8	8	8	8	8		8	8	8	8	8	8	8	8	8			8	8	8	8
YAZ8C2TC14E290	#8 AWG [10mm ² STR]	23	1/4 [M6]	3	.75 [19]	.44 [11]	----	.27 [7]	1.62 [41]	.31 [8]	.27 [7]	.08 [2]	1.09 [28]	49	RED	8	8	RED (2)	8	8	8	8	MECHANICAL: MY29-11 (1)	7/8				



NOTES:

1. MATERIAL: COPPER TUBING.
2. FINISH: TIN PLATED
3. CATALOG # PT6515 ADAPTOR IS REQUIRED TO USE "U" DIES IN Y45 SERIES TOOLS.
4. CATALOG # PUADP-1 ADAPTOR IS REQUIRED TO USE "U" DIES IN Y46 SERIES TOOLS.
5. NAVY CABLE SIZE MAY BE OMITTED ON SOME SIZES BECAUSE OF SPACE LIMITATIONS.
6. PERMANENT DIE IN TOOLING.
7. DIMENSIONS, METRIC WIRE, & METRIC BOLT SIZES IN BRACKETS [] ARE IN MILLIMETERS. DIMENSIONS ARE ROUNDED OFF TO THE NEAREST MILLIMETER, UNLESS OTHERWISE NOTED, AND ARE FOR REFERENCE ONLY.
8. OVERLAP 2 CRIMPS AS NEEDED WITHIN THE LENGTH BETWEEN THE INK STAMPED CRIMPING AREA.
9. THESE CATALOG NUMBERS CANNOT BE INSTALLED WITH U8CRT DIE.

TO ORDER BURNDY® PRODUCTS CALL		HYLUG™ (TWO HOLE CODE)	
UNITED STATES 1-800-346-4175 (LONDONDERRY, NH)		ITEM NO: N/A	CAT. NO: YAZ8C-2TC- (TABLE)
CANADA: 1-800-361-6975 (QUEBEC) 1-800-387-6487 (ALL OTHER PROVINCES)		DRAWN BY: D. BOISVERT 11/09/98	CHECKER: K. HENRY 12/03/98
FOR PRODUCT INFO: http://www.burndy.com		DSN APPVL: B. MACDONALD 12/02/98	MFG APPVL: N/A
		QA APPVL: S. GARY 11/30/98	MKT APPVL: N/A
		PROD FAM: --	DRAWING NO: SE211915
		PROJECT #: --	SCALE: 4:1
		DOCUMENT TYPE: Sales	SHEET 3 OF 36
		REL LEVEL: Released	

REV: PE0200

