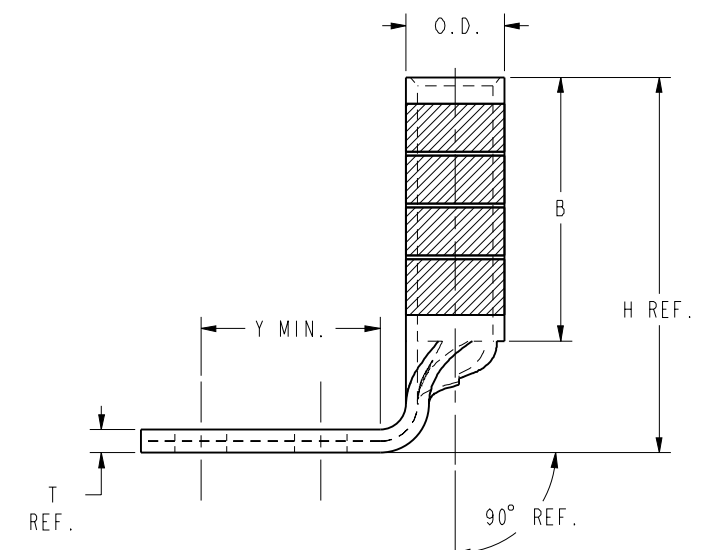
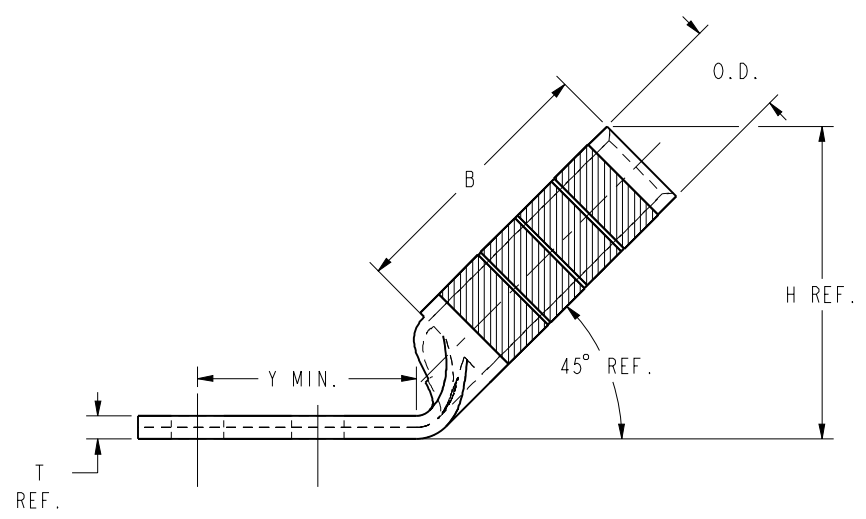
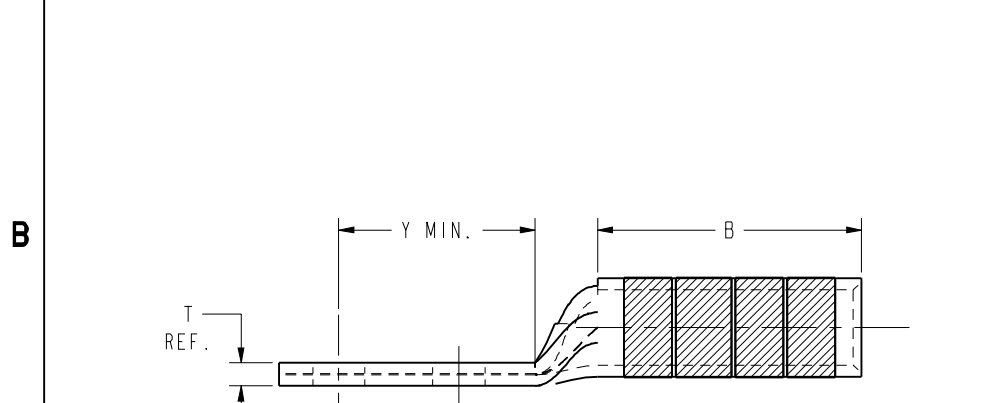
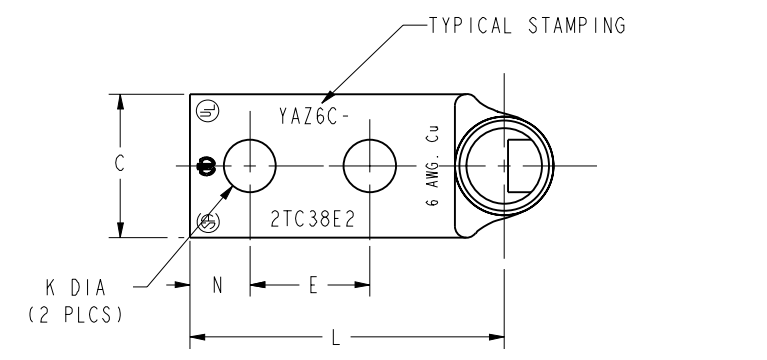
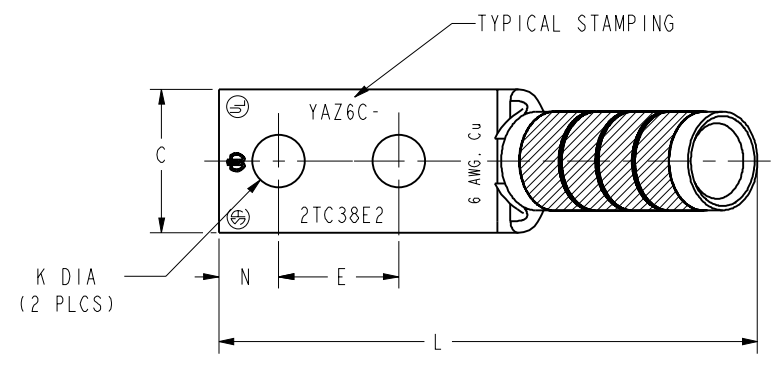
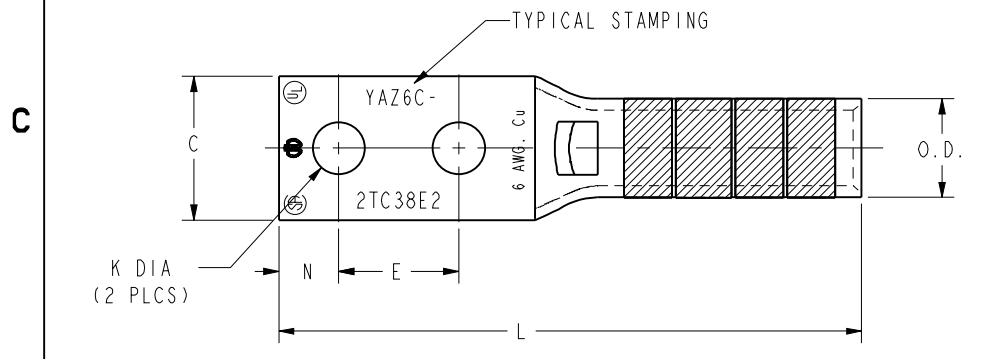


REV	DATE	DESCRIPTION	ECO	BY	C'H'K.
D	02/01/2016 09:30:00 AM	NOTE# 10 UPDATED	41185	BSB	RG

CATALOG. NO.	CONDUCTOR		BOLT SIZE	FIG. NO.	DIMENSIONS										INSTALLATION TOOLING (# CRIMPS)												
	CODE (AWG)	NAVY			B	C	E	H REF.	K DIA.	L	N	O.D.	T REF.	Y MIN.	DIE INDEX	COLOR CODE	MECHANICAL			HYDRAULIC			DIELESS (# CRIMPS)	WIRE STRIP LENGTH			
																	MD7-34R MD6	OUR840	Y1MRTC Y122CMR	Y34A	Y750 Y35, Y39	Y46			Y45		
YAZ6C2TC38E2	#6 STR #6 SOL	30	3/8 [M10]	1	1.12 [28]	.58 [15]	----	.40 [10]	2.97 [75]	.41 [10]	.29 [7]	.06 [2]	1.18 [30]	7 OR 374	BLUE			BLUE (2)	A5CR (2)	U5CRT U8CABT (2)	U5CRT U8CABT (2)	U5CRT U8CABT (2)	MECHANICAL: MY29-11 (1) HYDRAULIC: Y644 (1) PAT644 (1) Y81KFT (1) PAT81KFT (1)	1-3/16			
YAZ6C2TC38E245				2		.75 [19]	1.18 [30]		2.72 [69]																		
YAZ6C2TC38E290				3				1.46 [37]		1.81 [46]																	
YAZ6C2TC38E6				1				----		3.09 [78]					1.31 [33]	7 OR 374	BLUE										
YAZ6C2TC38E645				2	3/8 [M10]		.88 [22]	1.18 [30]		2.85 [72]																	
YAZ6C2TC38E690				3				1.12 [28]	.58 [15]		.40 [10]	1.94 [49]	.41 [10]	.29 [7]		.06 [2]											



- NOTES:
1. MATERIAL: COPPER TUBING.
 2. FINISH: TIN PLATED
 3. CATALOG # PT6515 ADAPTOR IS REQUIRED TO USE "U" DIES IN Y45 SERIES TOOLS.
 4. CATALOG # PUADP-1 ADAPTOR IS REQUIRED TO USE "U" DIES IN Y46 SERIES TOOLS.
 5. NAVY CABLE SIZE MAY BE OMITTED ON SOME SIZES BECAUSE OF SPACE LIMITATIONS.
 6. PERMANENT DIE IN TOOLING.
 7. DIMENSIONS, METRIC WIRE, & METRIC BOLT SIZES IN BRACKETS [] ARE IN MILLIMETERS. DIMENSIONS ARE ROUNDED OFF TO THE NEAREST MILLIMETER, UNLESS OTHERWISE NOTED, AND ARE FOR REFERENCE ONLY.
 8. FOR USE BY CUSTOMERS THAT HAVE THIS HYPRESS™. NO NEW Y34A HYPRESS™ ARE BEING PROCESSED.
 9. DO NOT USE PAT644 OR Y644 TOOLING WITH 6 AWG SOL.
 10. THESE CATALOG NUMBERS CANNOT BE INSTALLED WITH Y45 TOOLING.

TO ORDER BURNDY® PRODUCTS CALL		HYLUG™	
UNITED STATES 1-800-346-4175 (LONDONDERRY, NH)		ITEM NO: N/A	CAT. NO: YAZ6C-2TC- (SEE TABLE)
CANADA: 1-800-361-6975 (QUEBEC) 1-800-387-6487 (ALL OTHER PROVINCES)		DRAWN BY: D. BOISVERT 11/11/98	CHECKER: K. HENRY 12/03/98
FOR PRODUCT INFO: http://www.burndy.com		DSN APPVL: B. MACDONALD 12/02/98	MFG APPVL: N/A
		QA APPVL: S. GARY 11/30/98	MKT APPVL: B. HARDGROVE 11/25/98
		PROD FAM: --	DRAWING NO: SE211915
		PROJECT #: --	SCALE: 4:1
		DOCUMENT TYPE: Sales	SHEET 7 OF 36
		REL LEVEL: Released	